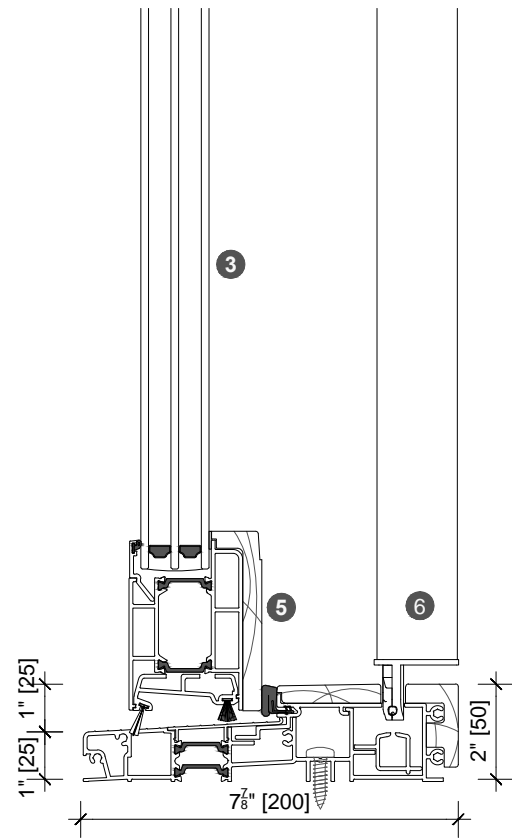
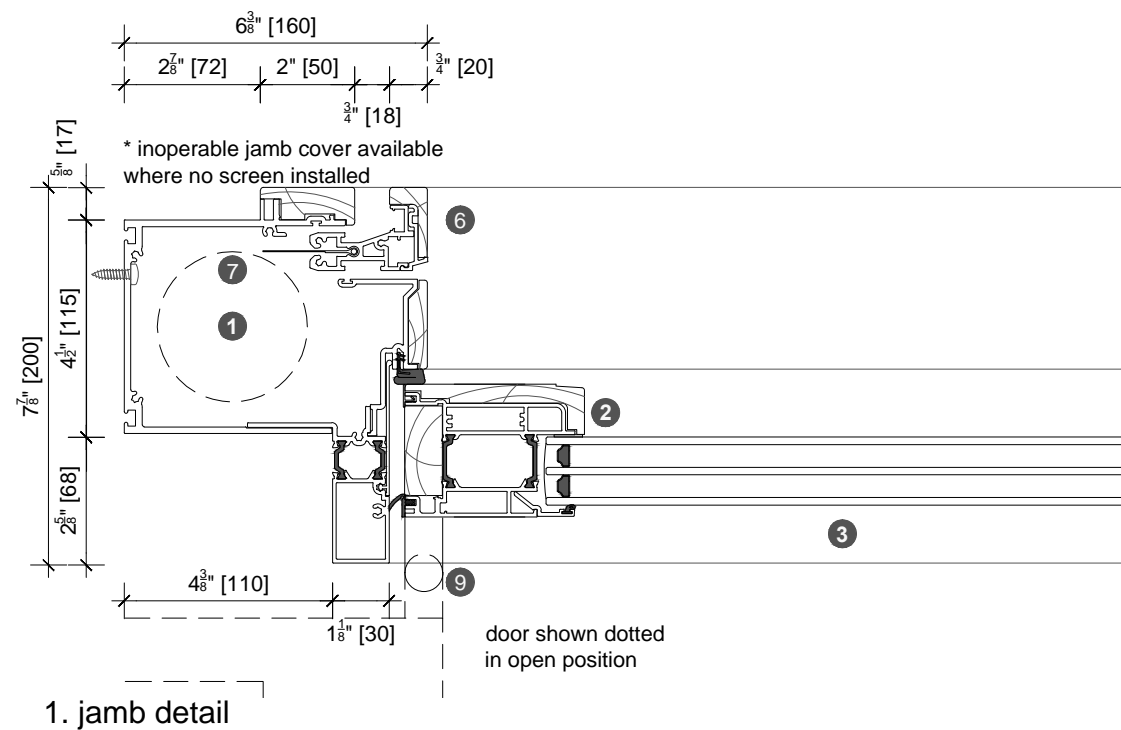


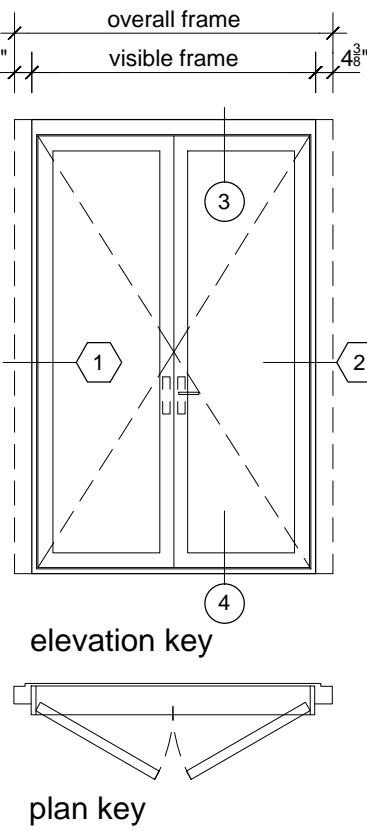
3. head detail



4. sill detail



1. jamb detail



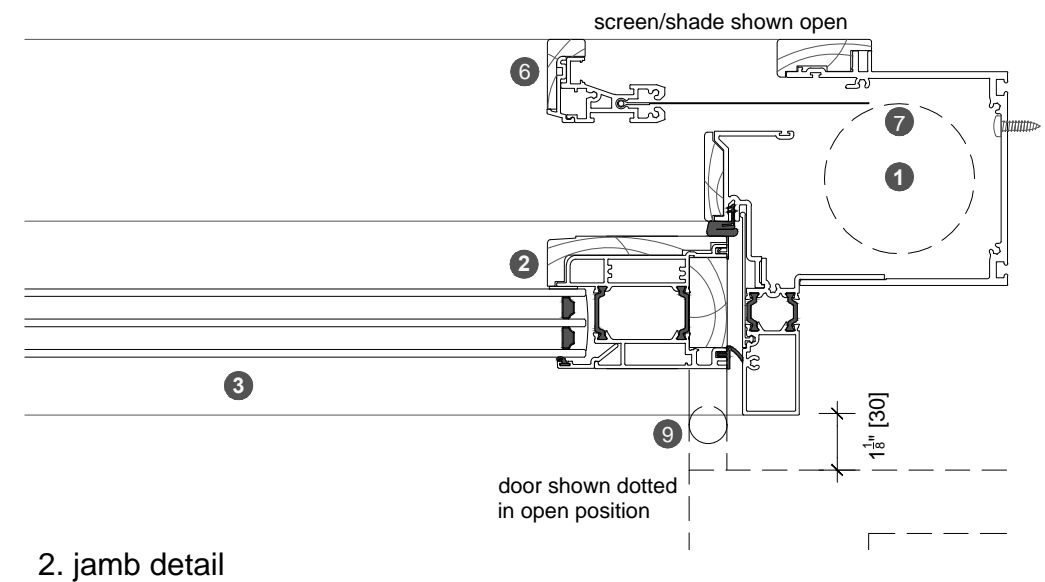
elevation key

plan key

	203 series
overall frame height	6'6 1/4" [1987] - 9'5 1/2" [2884]
overall frame width	4'8 7/8" [1444] - 7'7 7/8" [2334]
visible frame width	4'4 1/4" [1224] - 6'11 1/4" [2114]
door panel height	6'6 5/8" [1846] - 9' [2743]
door panel width	1'10 5/8" [575] - 3'3 3/8" [1000]

- 1 screen/shade box
- 2 door panel stile
- 3 glazing
- 4 top rail
- 5 bottom rail
- 6 screen stile
- 7 screen/blind
- 8 lever handle
- 9 pivot

legend



2. jamb detail