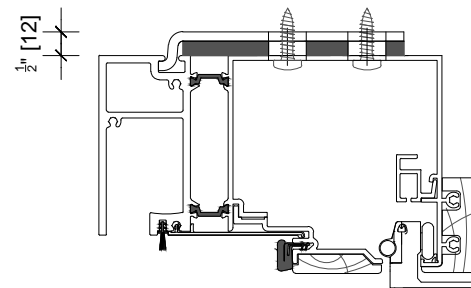
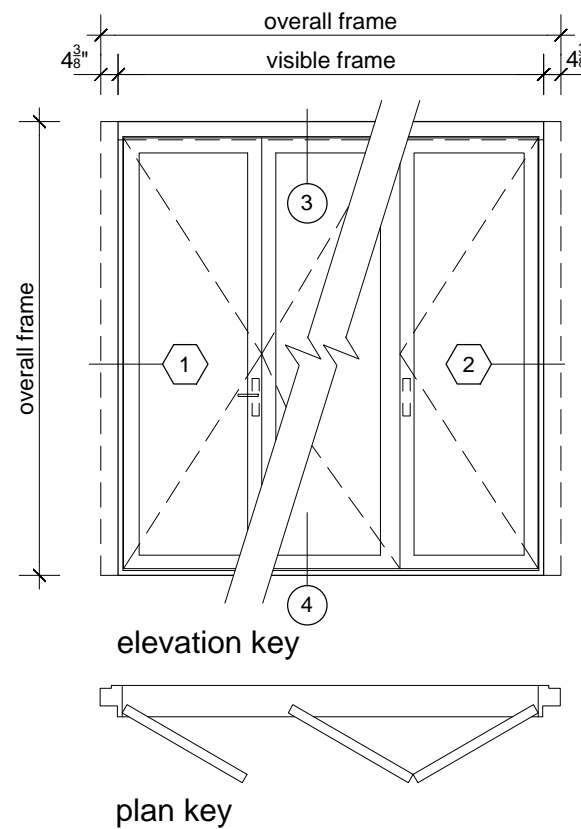


3. head detail



Head support bracket provided where fixing is inboard of the carrier track (folding doors only)
 Door frames wider than 19'8 1/4" [6000mm] are supplied with a joiner to head and sill.

3a. jamb detail

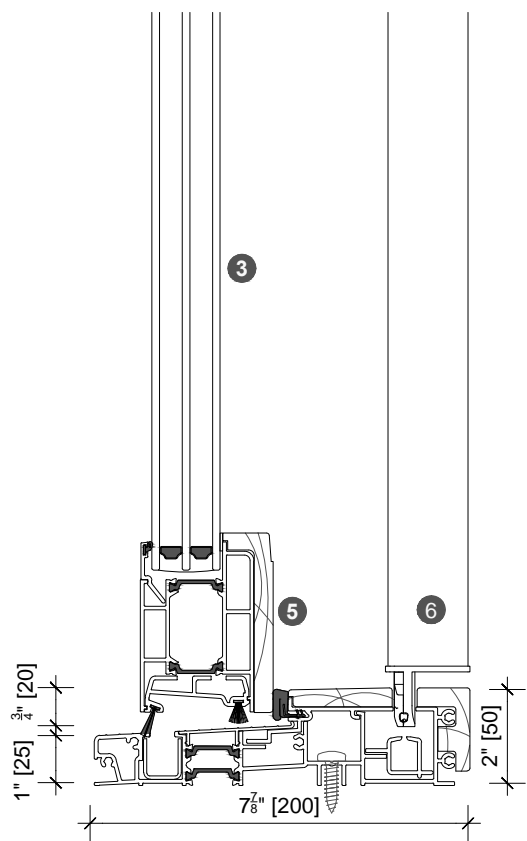


	205 series
overall frame height	6'6 1/4" [1987] - 9'5 1/2" [2884]
overall frame width	4'8 1/2" [1434] - 30'11 3/8" [9434]
visible frame width	3'11 3/4" [1214] - 30'2 3/4" [9214]
door panel height	6'5 5/8" [1846] - 9' [2743]
door panel width	1'10 5/8" [575] - 3'3 3/8" [1000]

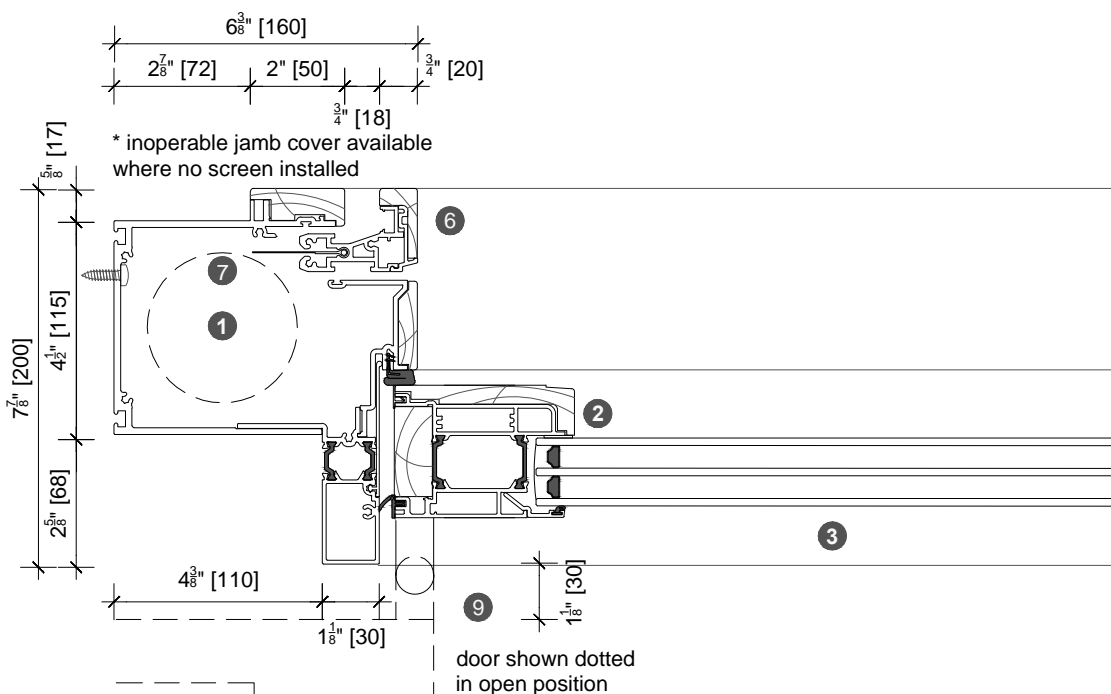
- 1 screen/shade box
- 2 door panel stile
- 3 glazing
- 4 top rail
- 5 bottom rail
- 6 screen stile
- 7 screen/blind
- 8 lever handle
- 9 pivot

Door frames up to 16' (4877mm) in width can be supplied with a different fabric type in each jamb box.
 Door frames wider than 16' (4877mm) are only available with a single fabric type.

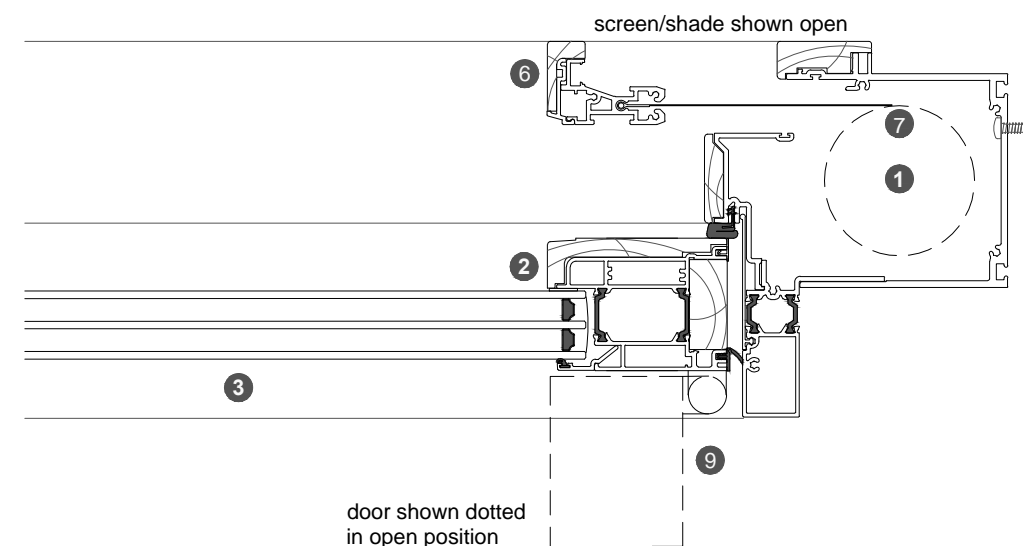
legend



4. sill detail



1. jamb detail



2. jamb detail