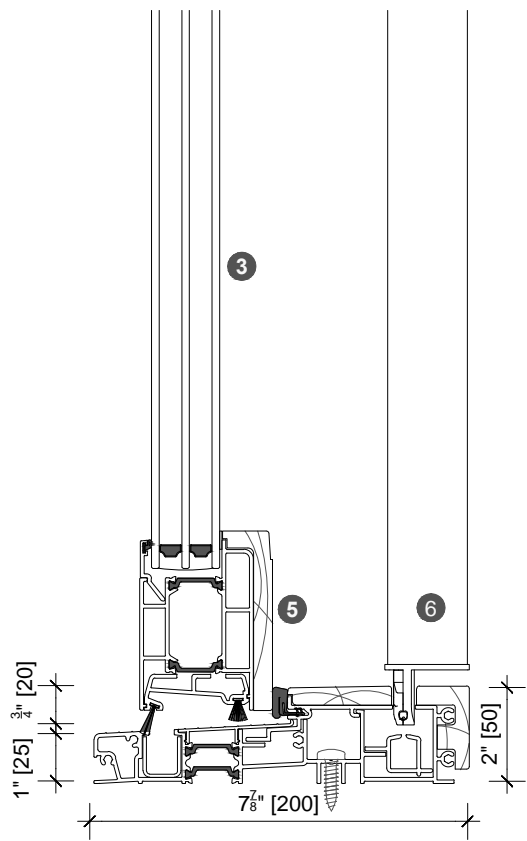
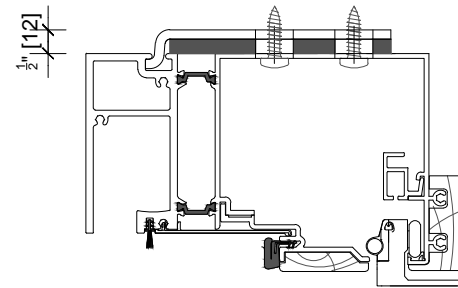


3. head detail



4. sill detail

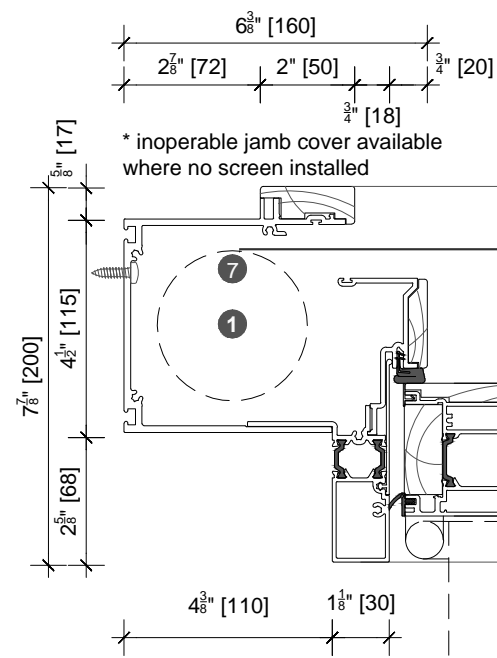


Head support bracket provided where fixing is inboard of the carrier track (folding doors only)

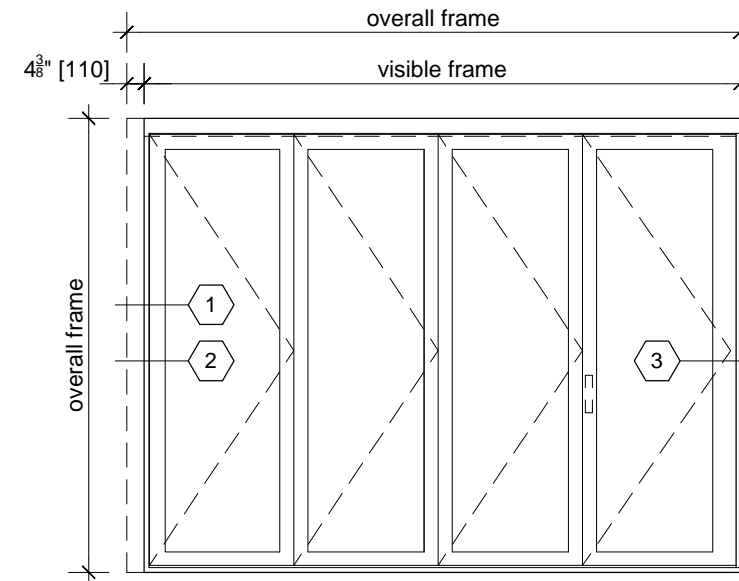
3a. jamb detail

	207 series
overall frame height	6'6 <sup>1</sup> / <sub>4</sub> " [1987] - 9'5 <sup>1</sup> / <sub>2</sub> " [2884]
overall frame width	2'7 <sup>7</sup> / <sub>8</sub> " [811] - 16'9 <sup>3</sup> / <sub>4</sub> " [4896]
visible frame width	2'3 <sup>3</sup> / <sub>8</sub> " [701] - 15'8 <sup>3</sup> / <sub>8</sub> " [4786]
door panel height	6'5 <sup>5</sup> / <sub>8</sub> " [1846] - 9' [2743]
door panel width	1'10 <sup>5</sup> / <sub>8</sub> " [575] - 3'3 <sup>3</sup> / <sub>8</sub> " [1000]

legend



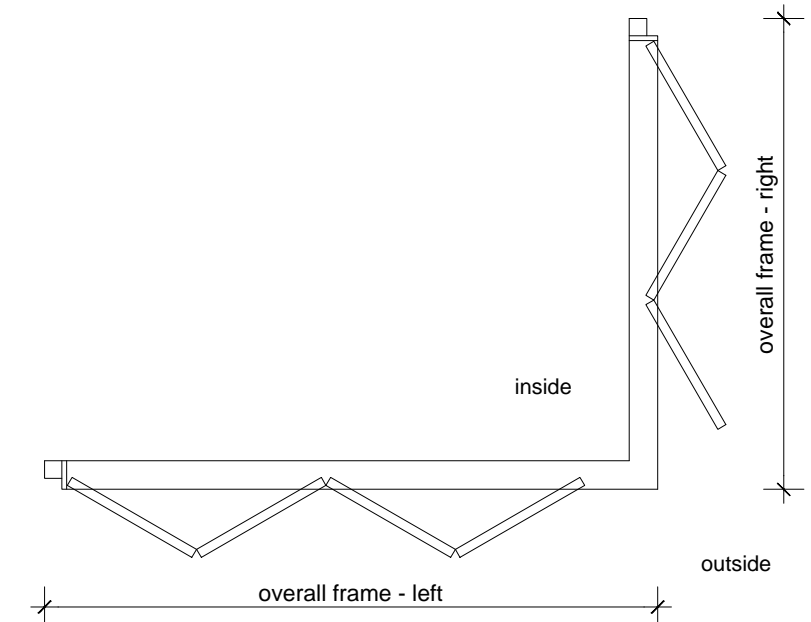
1. jamb detail



elevation key

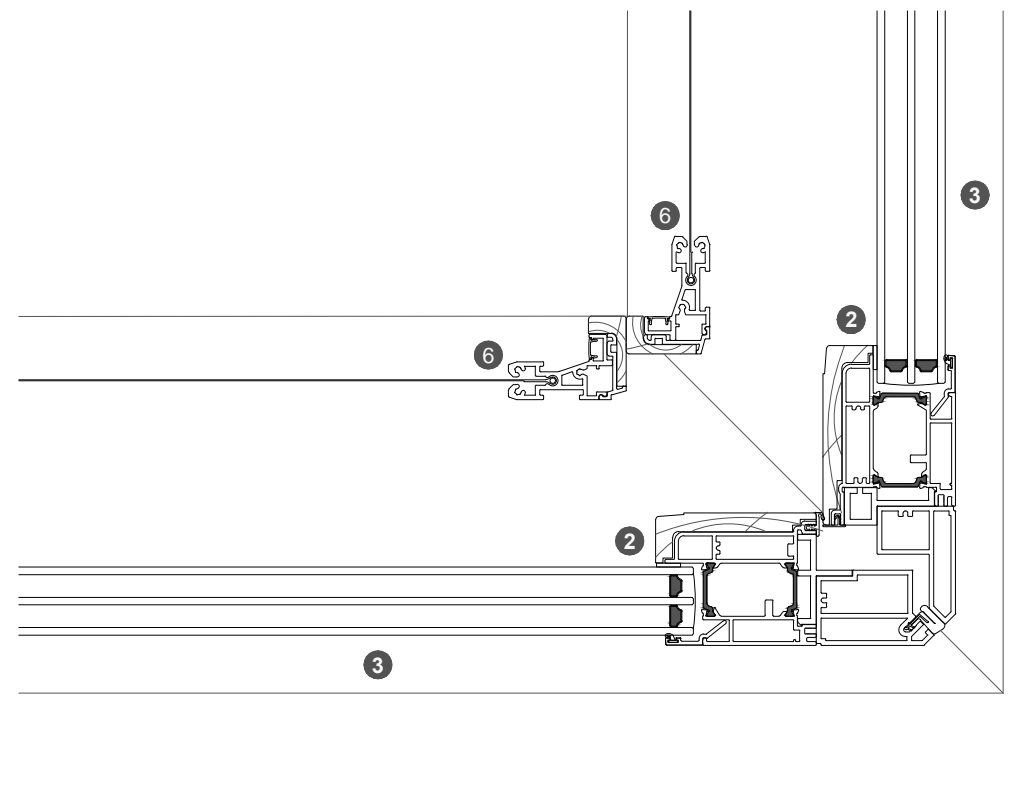
	right frame	
	odd no. of panels	even no. of panels
<b>left frame</b>		
odd number of panels	✓	✓
even number of panels	✓	✗

note: not available in even/even door panel configuration.



plan key

- 1 screen/shade box
- 2 door panel stile
- 3 glazing
- 4 top rail
- 5 bottom rail
- 6 screen stile
- 7 screen/blind
- 8 lever handle
- 9 pivot



2. jamb detail