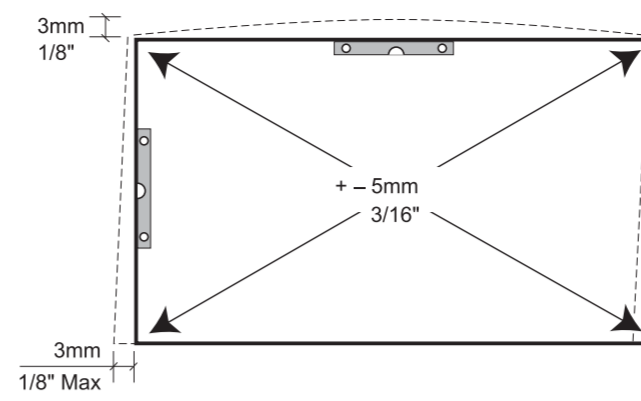


E3

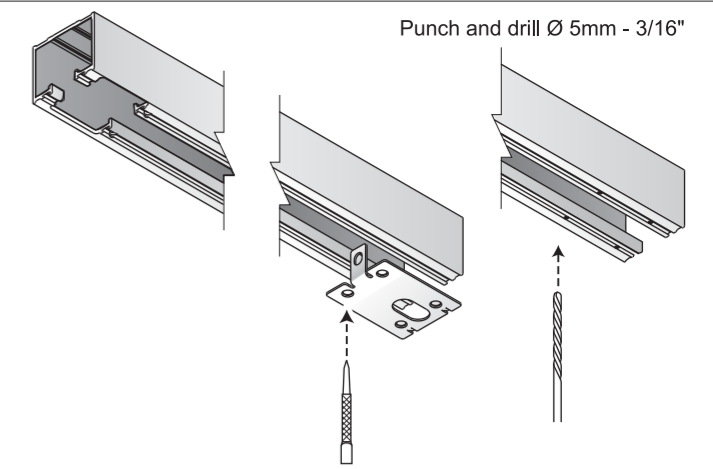
Centor Europe
+44 (0)121 701 2500
mail.uk@centor.com

Centor North America
toll free 866-255-0008
mail.us@centor.com

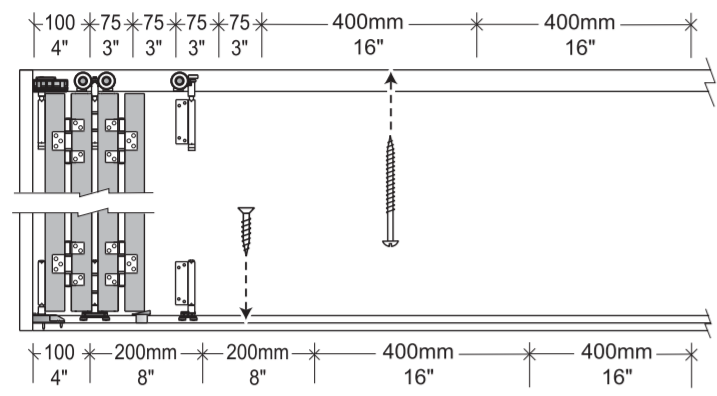
Centor Asia Pacific
1300 CENTOR
mail.au@centor.com



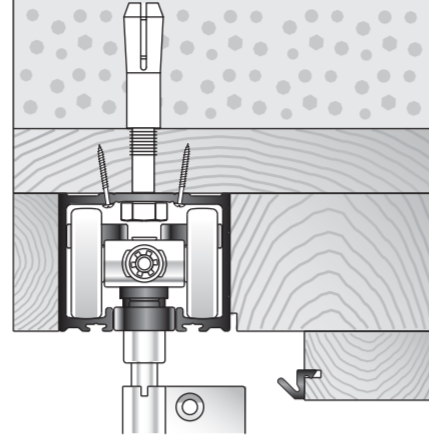
1. INSTALL FRAME



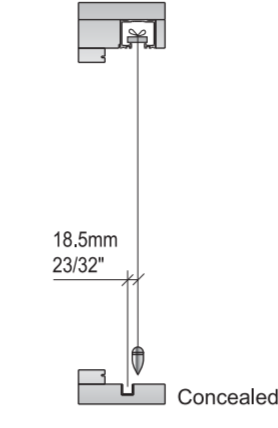
2. BI-PARTING SETS ONLY



3. MAXIMUM TRACK FIXING CENTRES

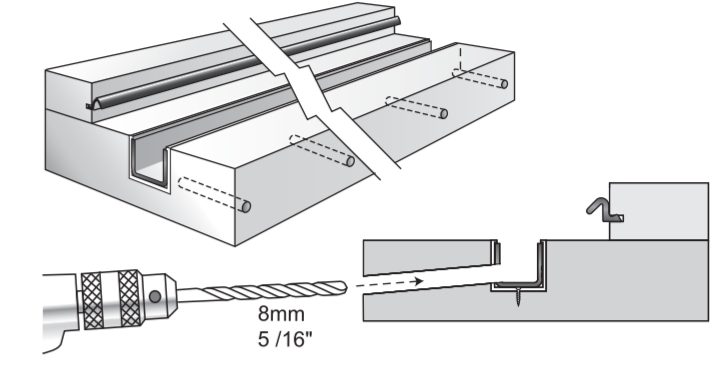


4. TRACK FIXING & CARRIER CLEARANCE

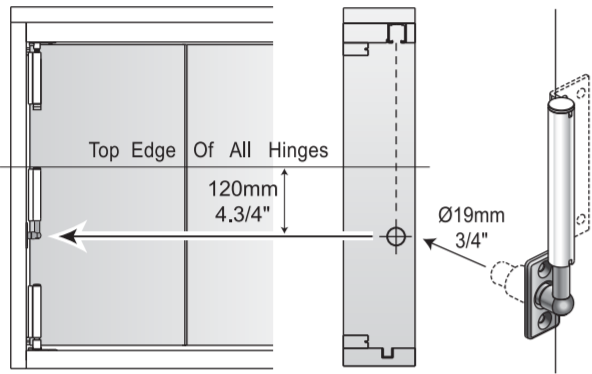


5. FRONT ALIGNMENT

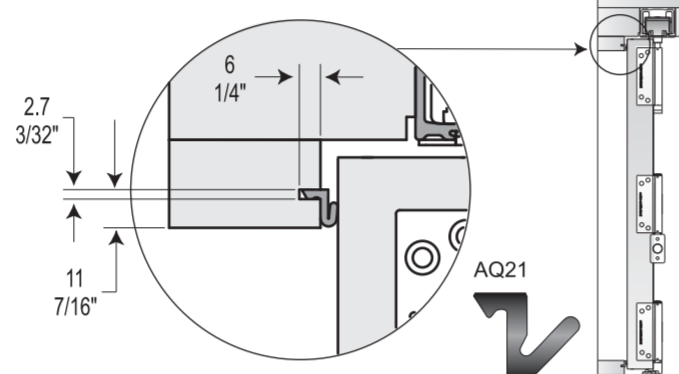
Centor Architectural supplies custom sill solutions for different markets. Please ask your Centor representative for details.



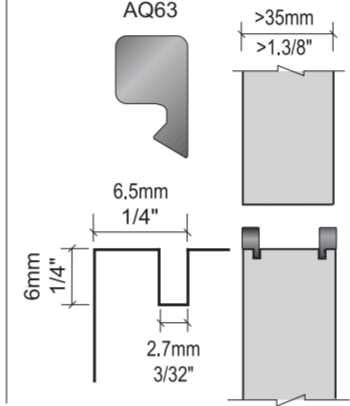
6. CHANNEL FIXING - DRAINAGE



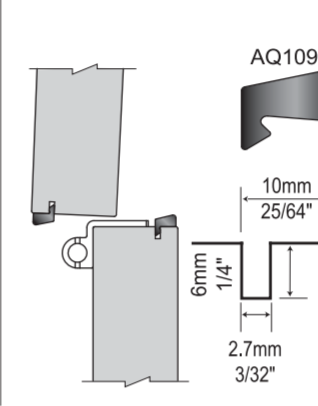
7. WALL PIVOTS



8. PERIMETER SEAL



9. PANEL TO PANEL SEAL



10. SERVICE PANEL OPTION

E3 Calc XL™ spreadsheet

Centor E3 Calc XL™ is designed for the E3 folding door system. E3 Calc XL™ will operate on any system running Microsoft Excel 95 or later.



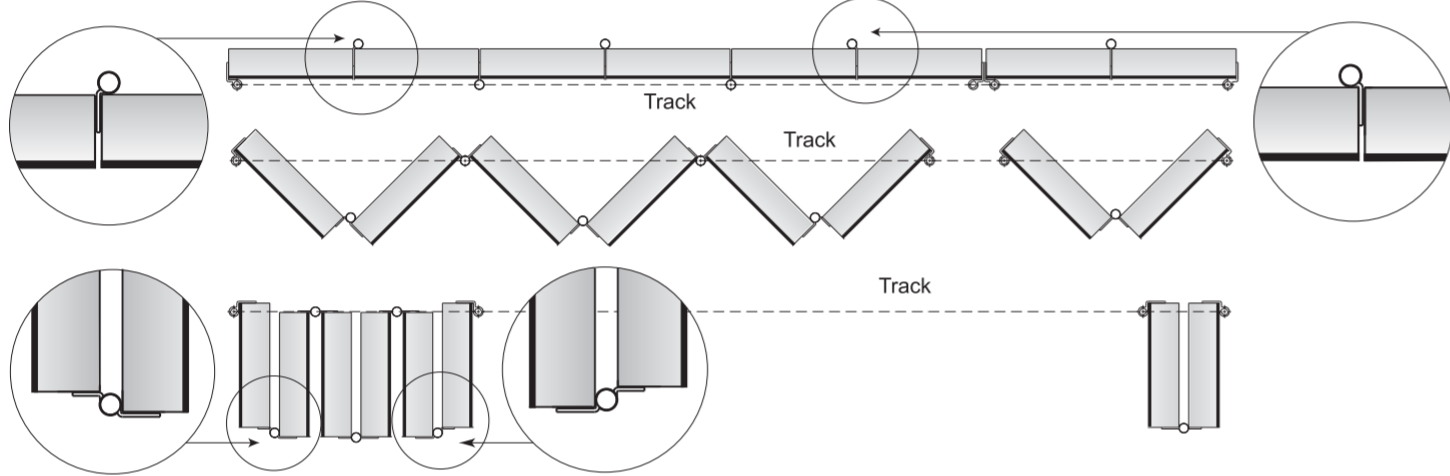
Visit our website to download E3 Calc XL™

Centor Europe
www.centor.eu/folding

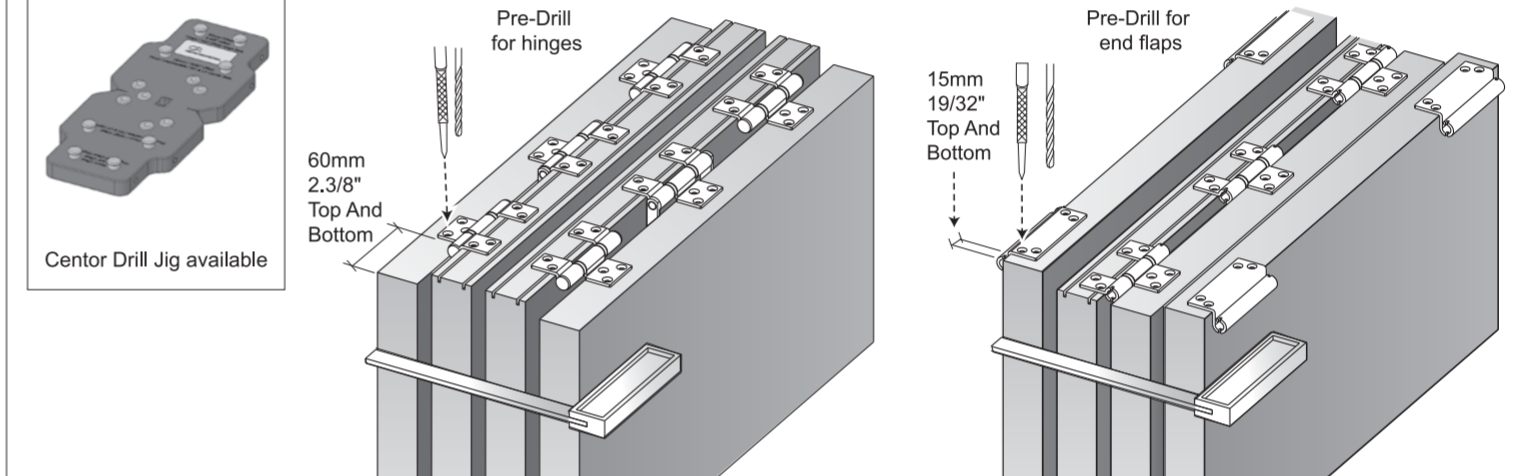
Centor North America
www.centorusa.com/folding

Centor Asia Pacific
www.centor.com.au

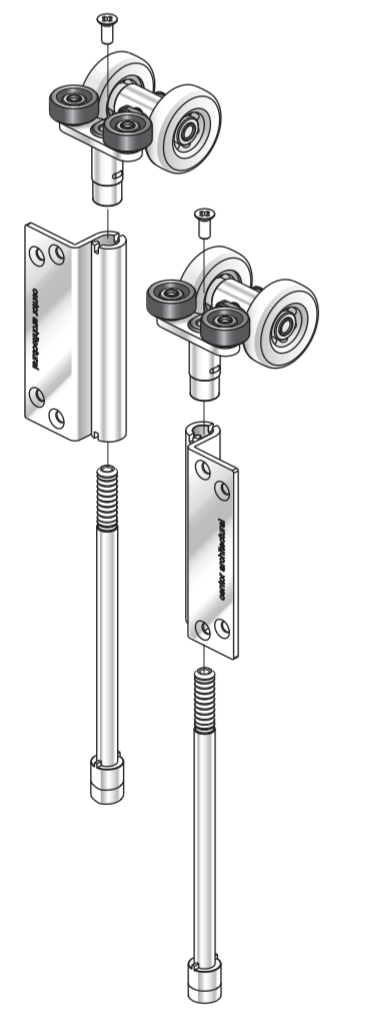
11. CALCULATING PANEL SIZE



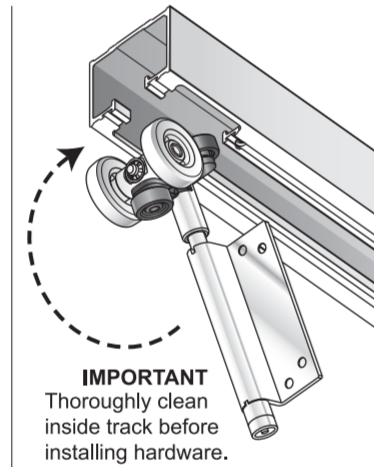
12. PANEL ORIENTATION



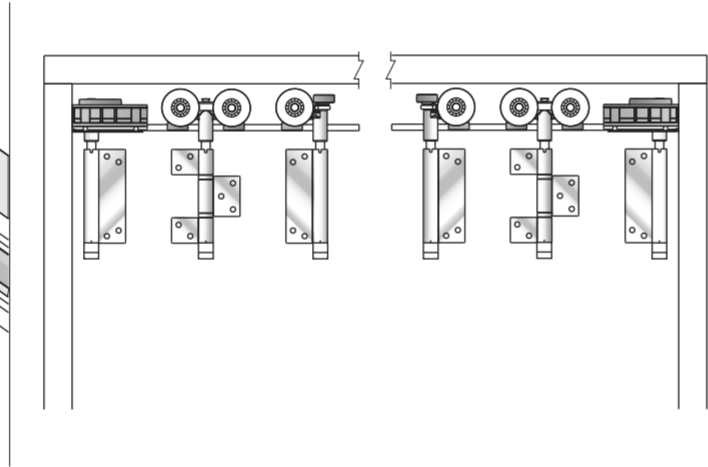
13. HINGES, CARRIERS AND GUIDES



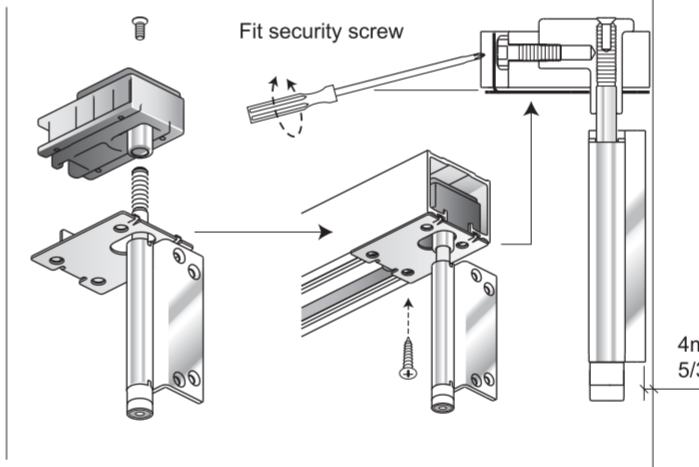
14. ASSEMBLY - REVERSIBLE



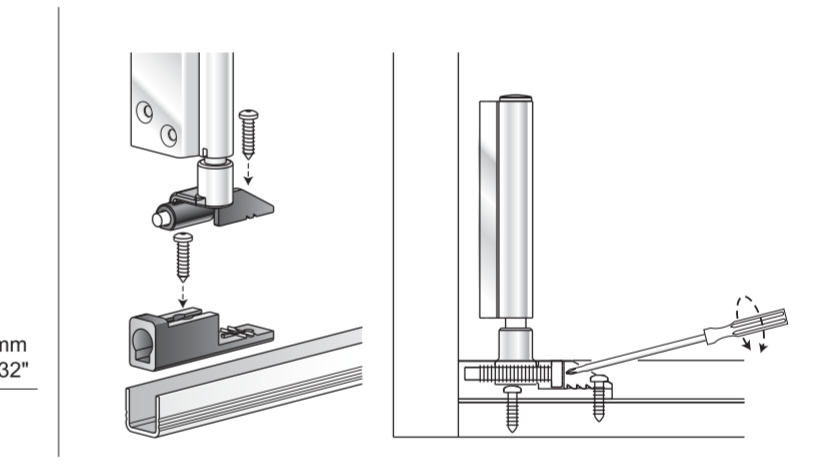
15. INSTALLATION



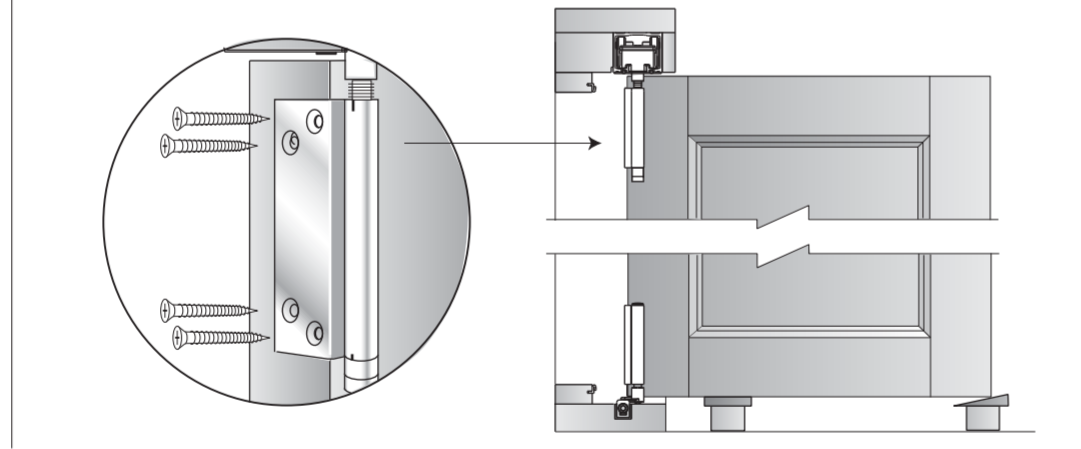
16. HARDWARE ORIENTATION



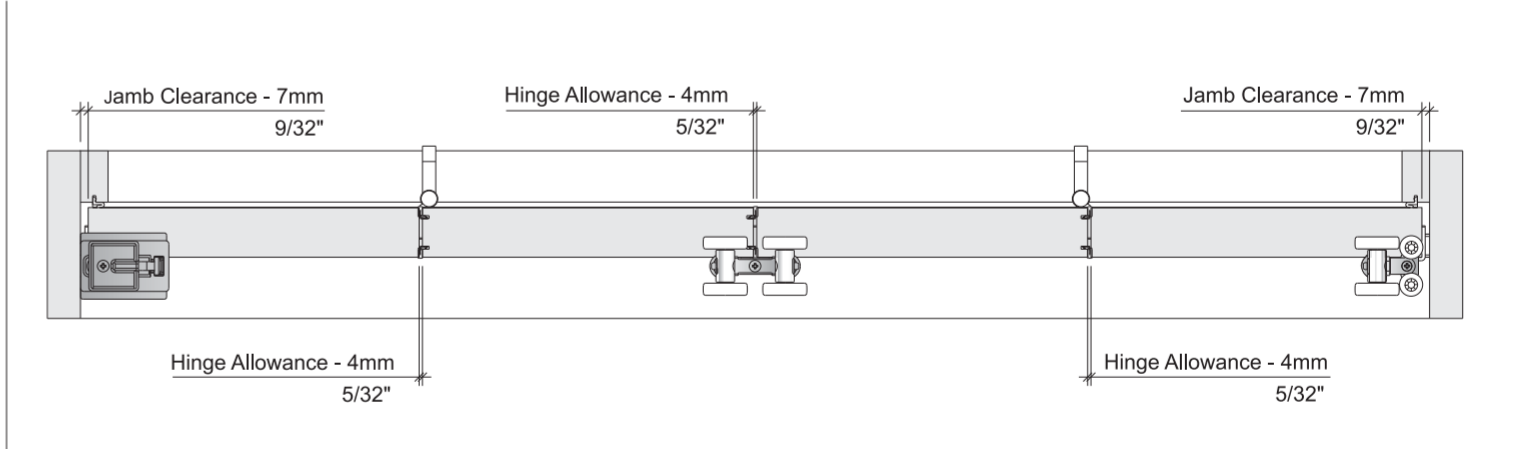
17. TOP PIVOT BLOCK



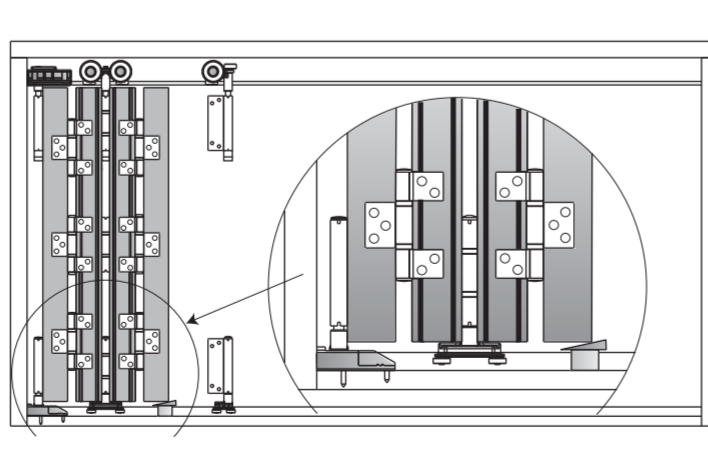
18. BOTTOM PIVOT BLOCK



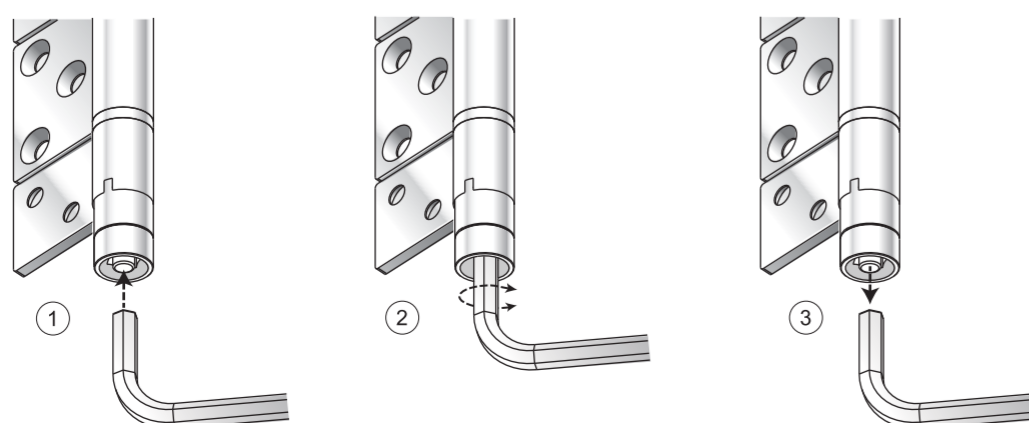
19. FITTING PIVOT PANEL



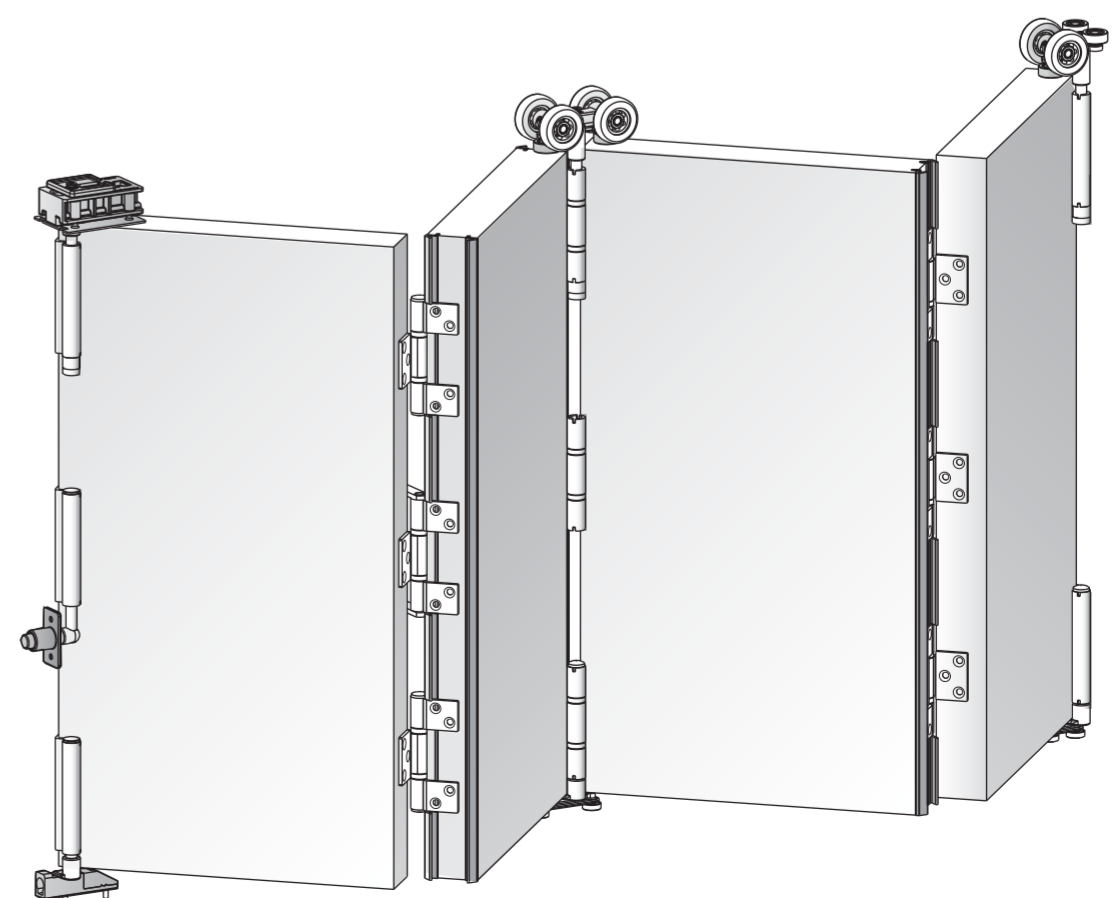
20. PANEL ADJUSTMENT



21. ADDING PANELS



22. FINAL ADJUSTMENT



ELEVATION AND OVERVIEW