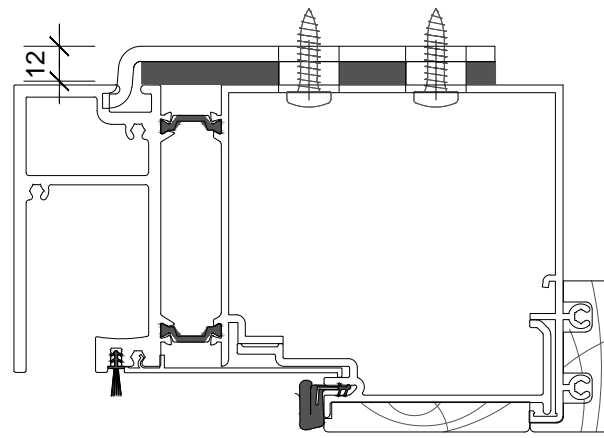
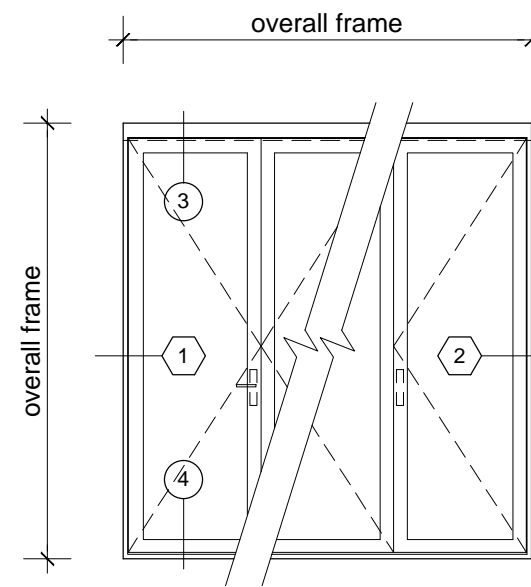


3. head detail

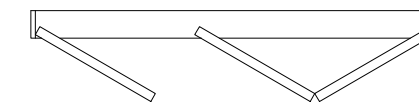


Head support bracket provided where fixing is inboard of the carrier track (folding doors only)
Door frames wider than 6000mm are supplied with a joiner to head and sill.

3a. head detail



elevation key

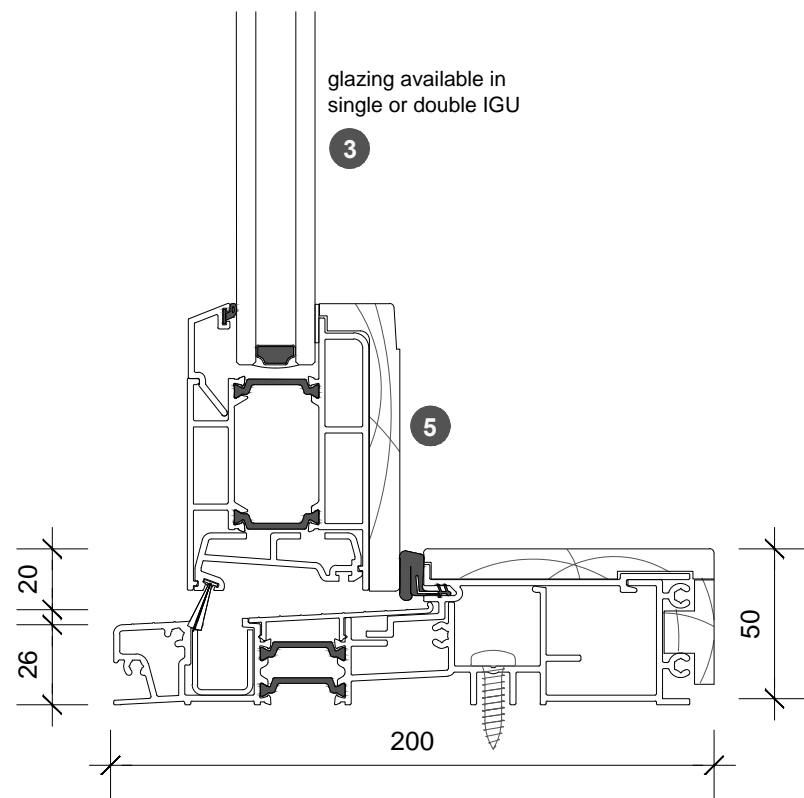


plan key

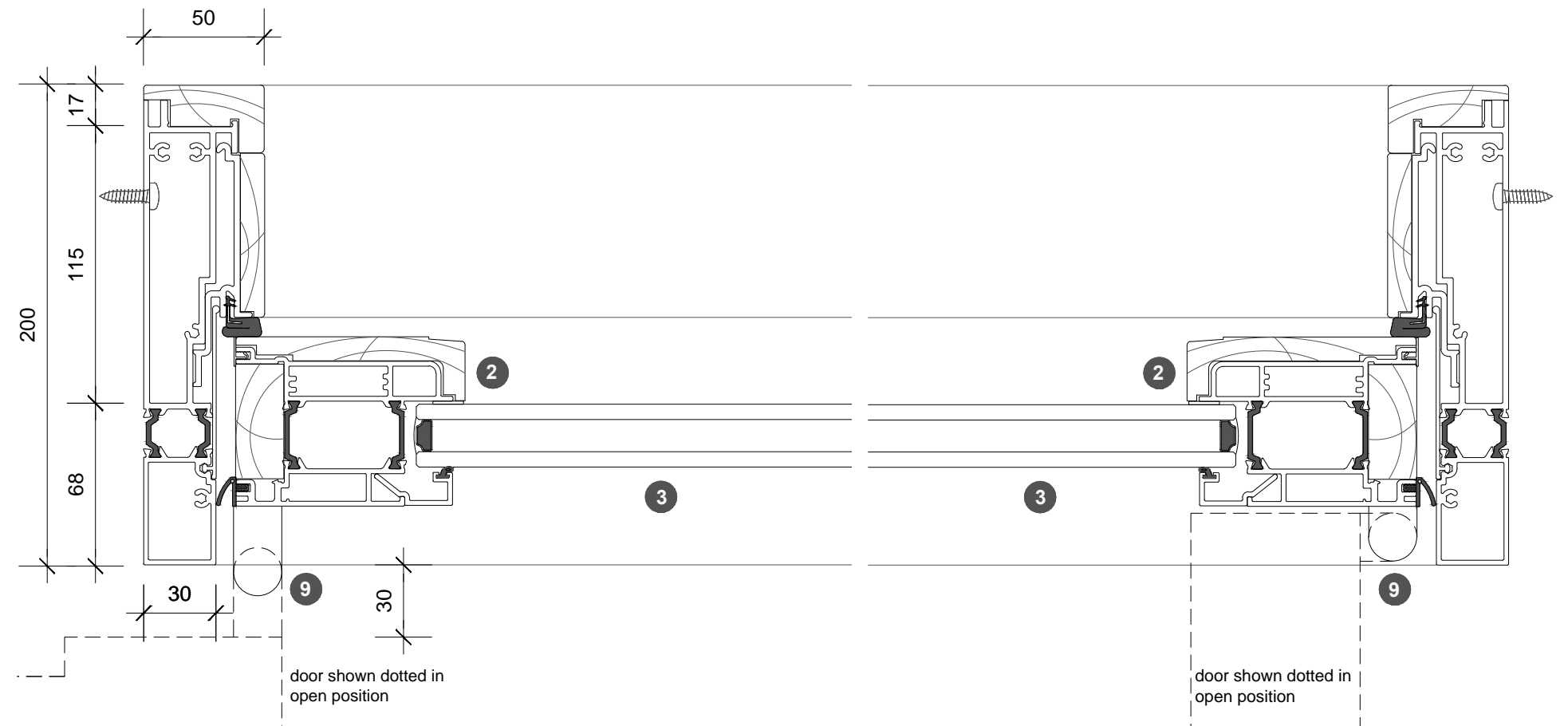
	105 series
overall frame height	1987 - 2884
overall frame width	1214 - 11500
visible frame width	1214 - 11500
door panel height	1846 - 2743
door panel width	575 - 1000

- 1 screen/blind box
- 2 door panel stile
- 3 glazing
- 4 top rail
- 5 bottom rail
- 6 screen stile
- 7 screen/blind
- 8 lever handle
- 9 pivot

legend



4. sill detail



1. jamb detail

2. jamb detail