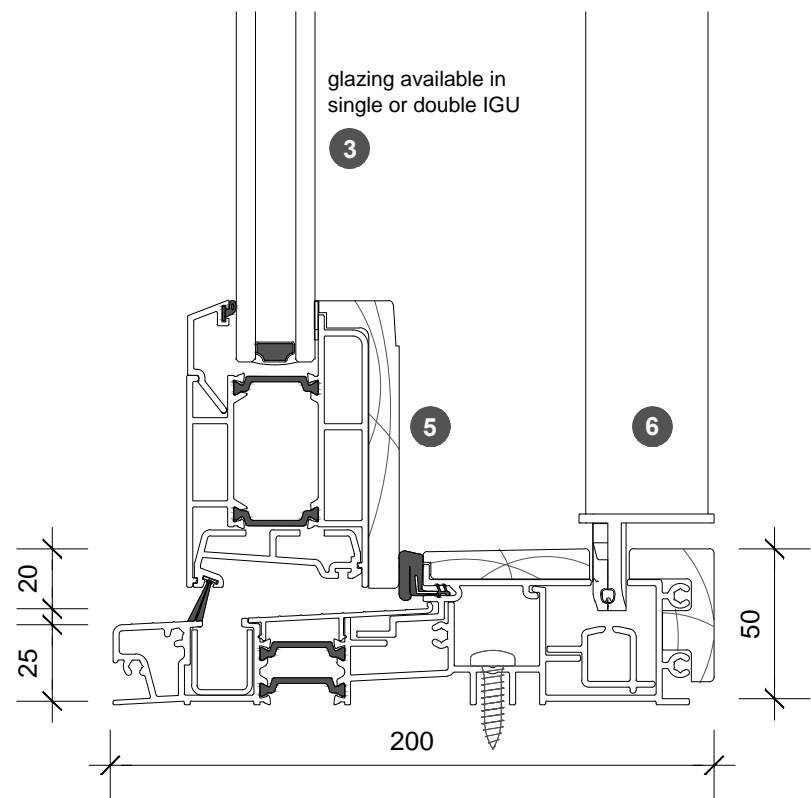
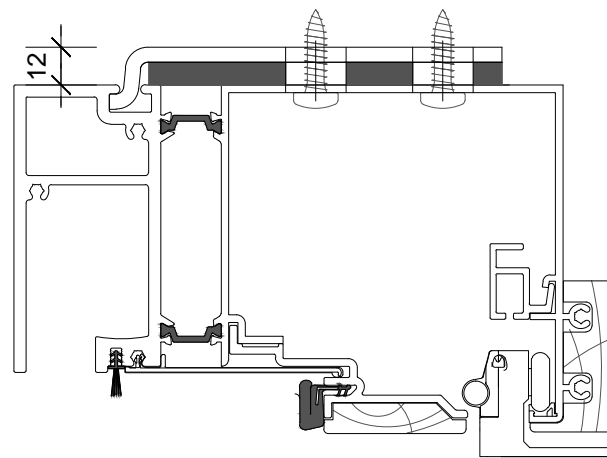


3. head detail

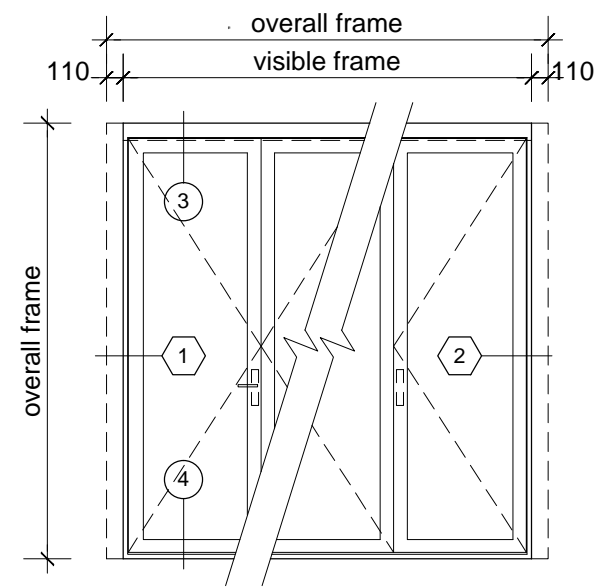


4. sill detail



Head support bracket provided where fixing is inboard of the carrier track (folding doors only)  
Door frames wider than 6000mm are supplied with a joiner to head and sill.

3a. head detail



elevation key

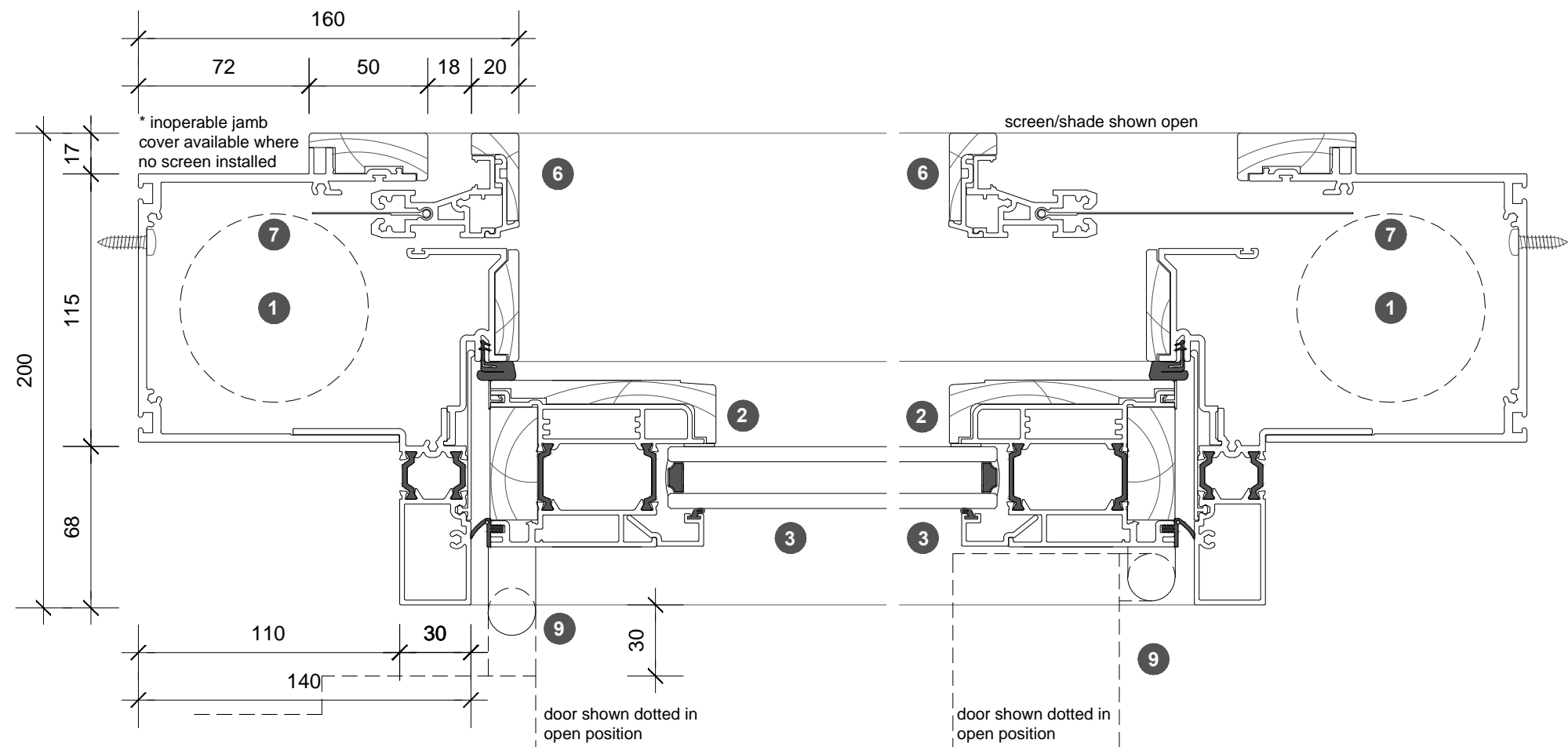
plan key

	205 series
overall frame height	1987 - 2884
overall frame width	1434 - 9434
visible frame width	1214 - 9214
door panel height	1846 - 2743
door panel width	575 - 1000

- |                    |                |
|--------------------|----------------|
| 1 screen/blind box | 6 screen stile |
| 2 door panel stile | 7 screen/blind |
| 3 glazing          | 8 lever handle |
| 4 top rail         | 9 pivot        |
| 5 bottom rail      |                |

Door frames up to 4877mm in width can be supplied with a different fabric type in each jamb box.  
Door frames wider than 4877mm are only available with a single fabric type.

legend



1. jamb detail

2. jamb detail