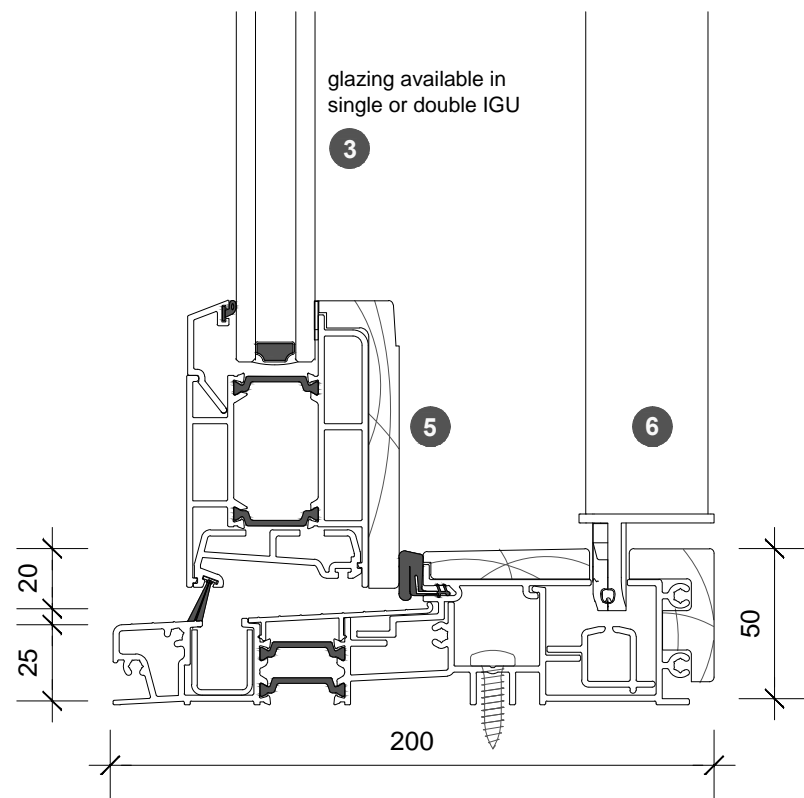
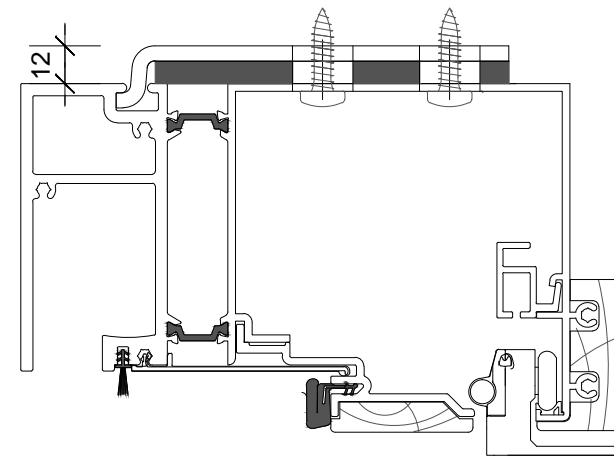


3. head detail



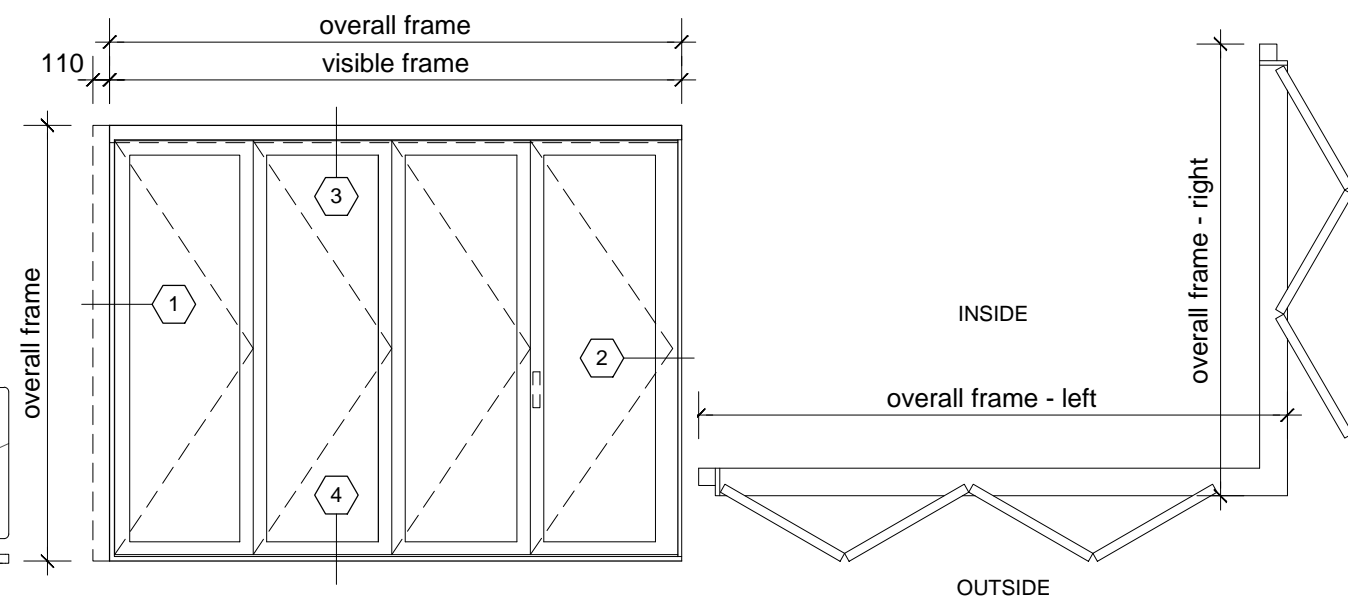
4. sill detail

Head support bracket provided where fixing is inboard of the carrier track (folding doors only)



3a. head detail

	207 series
overall frame height	1987 - 2884
overall frame width	811 - 4896
visible frame width	701 - 4786
door panel height	1846 - 2743
door panel width	575 - 1000



elevation key

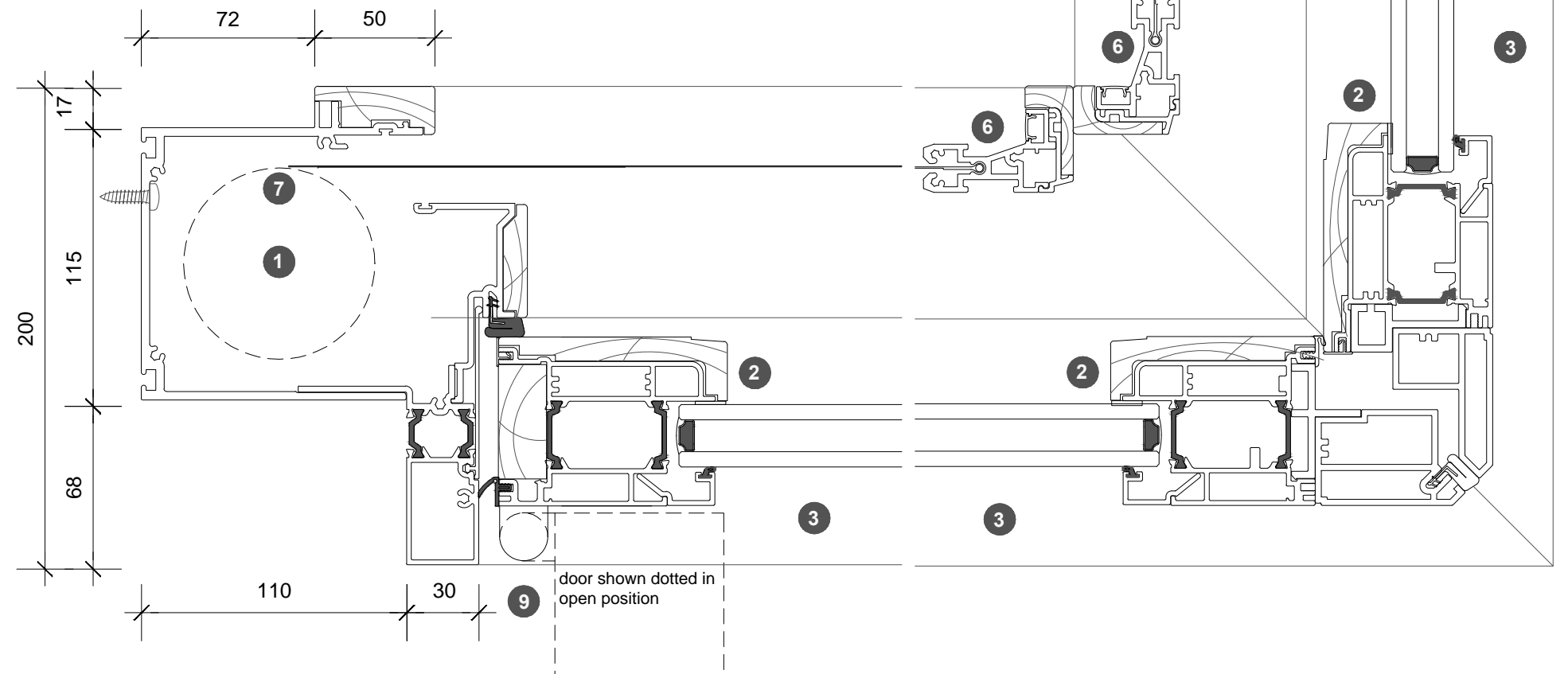
	right frame	
	odd no. of panels	even no. of panels
left frame		
odd number of panels	✓	✓
even number of panels	✓	✗

note: not available in even/even door panel configuration.

plan key

- 1 screen/blind box
- 2 door panel stile
- 3 glazing
- 4 top rail
- 5 bottom rail
- 6 screen stile
- 7 screen/blind
- 8 lever handle
- 9 pivot

legend



1. jamb detail

2. jamb detail