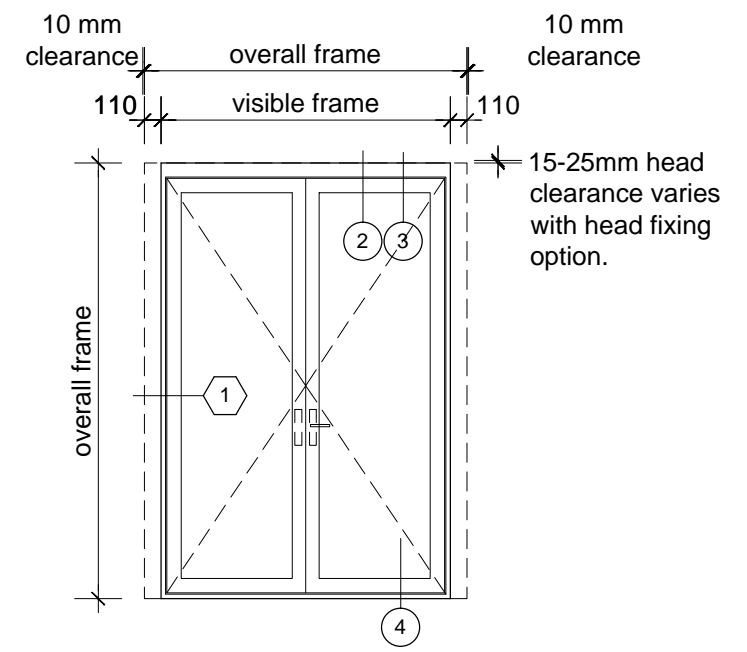
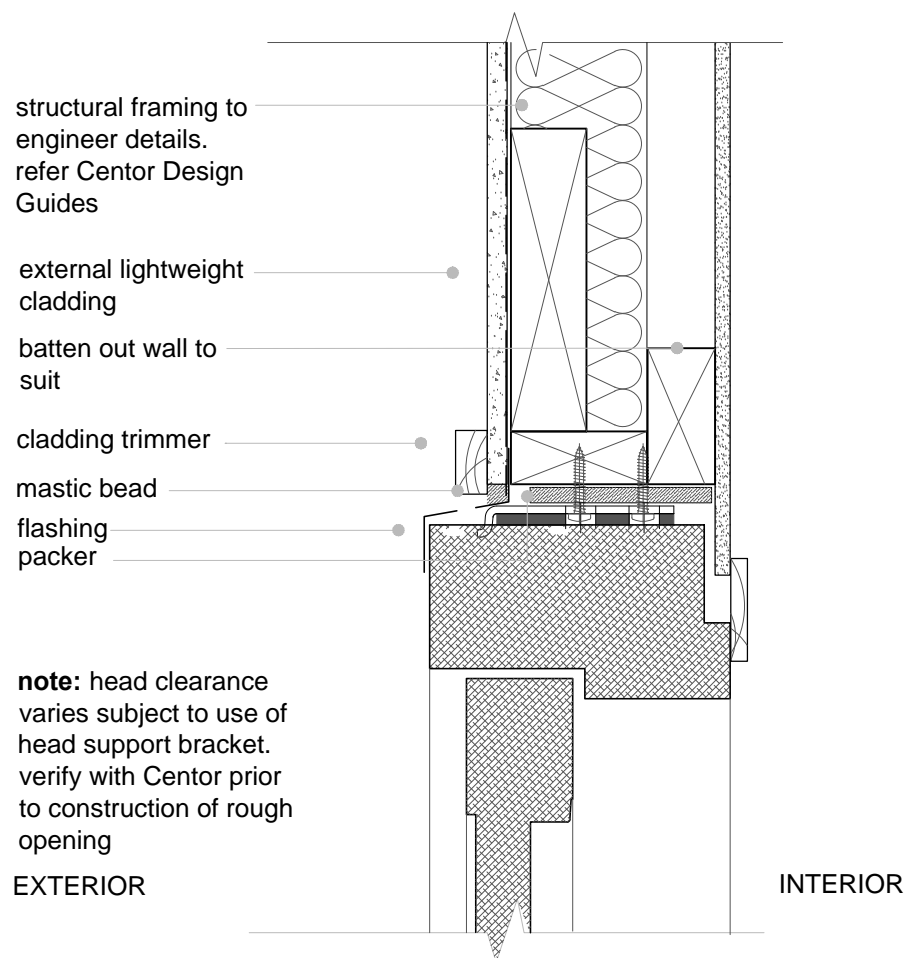


1. jamb detail



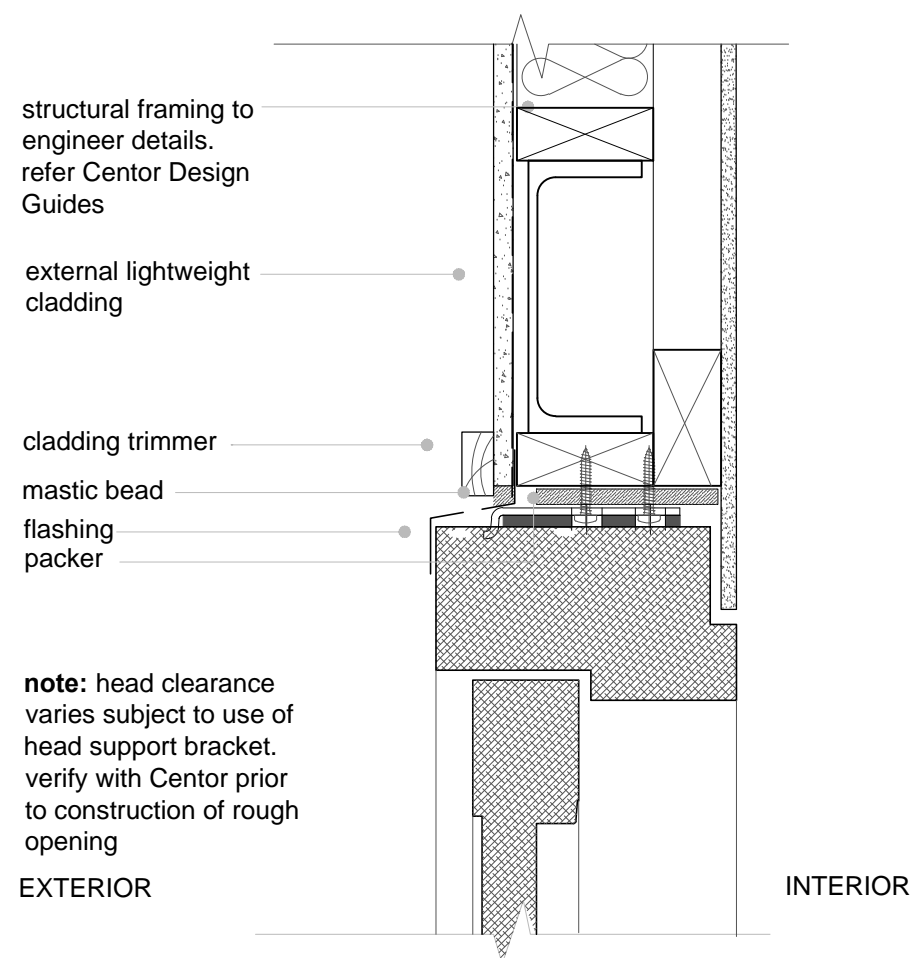
elevation key

head clearance varies subject to use of head support bracket. verify with Centor prior to construction of rough opening

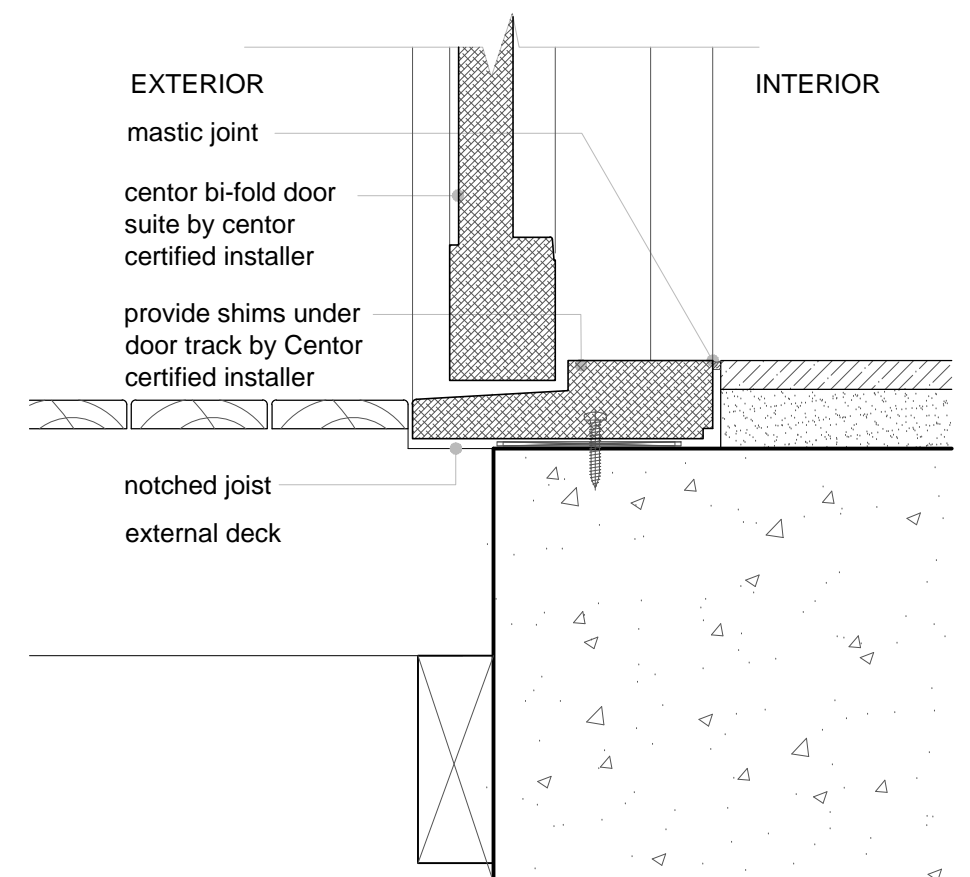


2. head detail

NOTE:  
Structural lintels should be in accordance with certified engineer's specifications. for openings over 3500mm steel lintels are recommended



3. head detail



4. sill detail