

A14F

centre-folding internal door hardware system

40kg max panel weight

space-saving alternative bifolds

stainless steel bearings optional

A14F: BIFOLDING SYSTEM

INTERNAL CENTRE-FOLDING DOOR HARDWARE SYSTEM FOR PANELS TO 40KG

A14F SPECIFICATIONS	
max opening	12300mm
max panel weight	40kg
max panel height	3000mm
max panel width	820mm
min panel thickness	35mm
max number of panels	7 1/2 each way

Centor A14F features mid-panel placement of pivoting carriers, allowing door panels to stack against the door jamb with even parts inside and outside of an opening. An alternative to between-panel pivoting bifold doors in applications where there is no obvious wall for open doors to stack against, or where space is limited for full bifolding function, A14F is commonly used in internal restaurants and shopfront applications where weatherproofing is not required.

PANEL SIZING

Half-width door panels attached to the door jambs facilitate the centre-fold function. Panel-size calculations, while more complex than for uniform panel-sized bifold systems, are handled easily using Centor's free DoorCalc software.

CARRIERS

Carrier choices include two or four wheeled carriers depending on panel weight, and nylon or steel-tyred wheels with precision plated or stainless steel bearings. Full stainless steel construction is an option.

TRACKING AND FLOOR CHANNEL

Tracking is available in galvanised steel, stainless steel and aluminium with a variety of top and side-fixing methods to choose from. Rebated floor channel is available in aluminium or extruded brass. Steel and aluminium tracking and channel can be provided anodised or powdercoated.



SPECIFYING A14F

For detailed component selection, including calculating size and number of door panels, specifiers can utilise Doorcalc, Centor's free specification and ordering software. Doorcalc is available from www.centor.com.au

Architects and Designers can feel comfortable simply specifying "Centor A14F" and leaving detailed component selection to the builder, joiner or fabricator.

USED WITH HALF-WIDTH
PANELS AT THE DOOR JAMBS
AND MID-PANEL PLACED
CARRIERS A14F PERFORMS
A SPACE-SAVING CENTRE-
FOLDING FUNCTION.

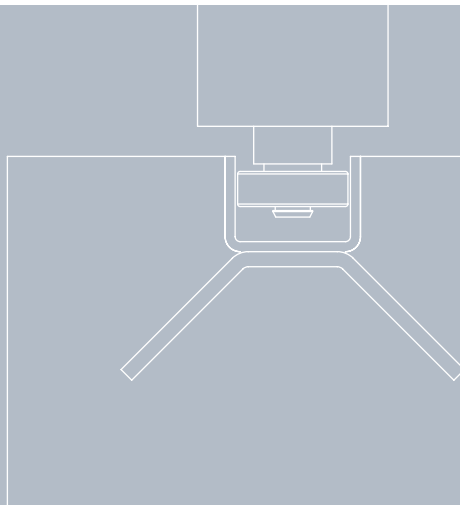




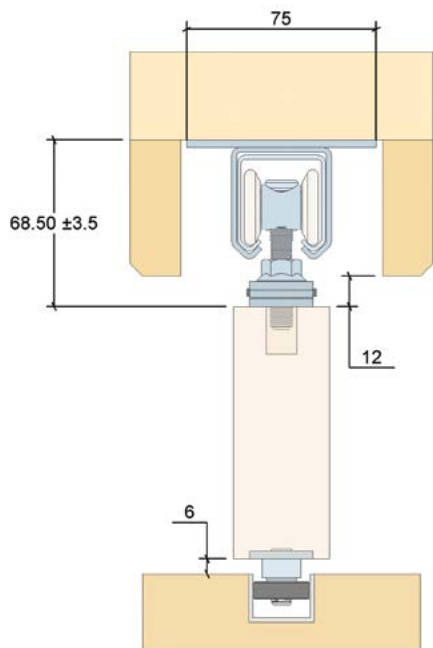
A14F: ARCHITECTURAL DETAIL

Downloadable DXF or DWG files ready for use in your own documentation are a convenient resource for architects and specifiers wishing to use Centor systems.

A14F DXF or DWG files can be downloaded from www.centor.com.au/au/a14f_cad.html

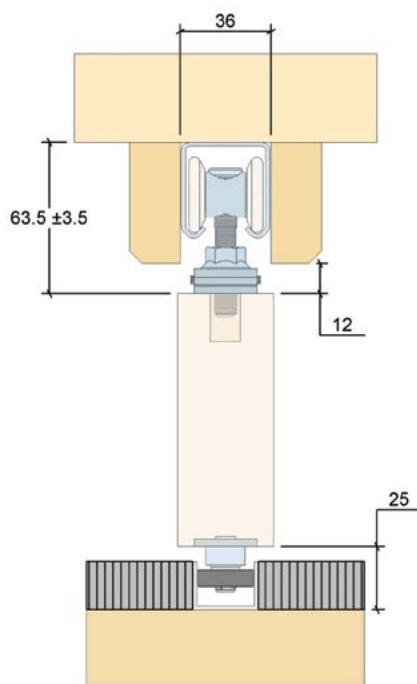


HEAD FIX



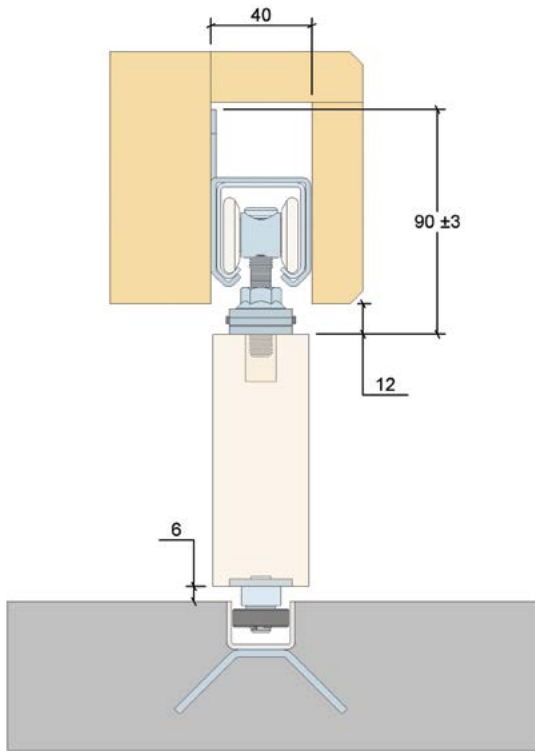
CT-001.DXF

OVERHEAD FIX



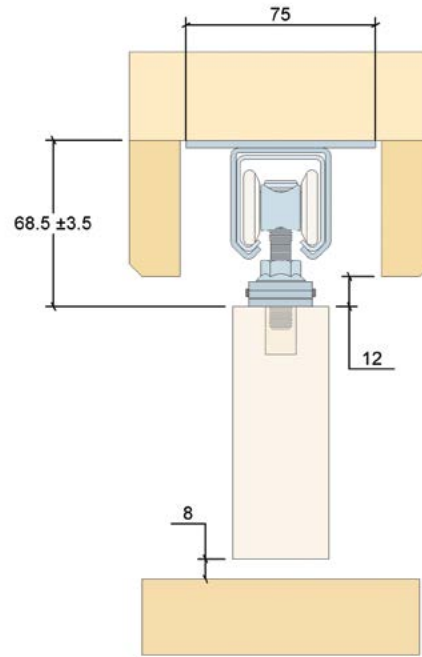
CT-002.DXF

SIDE FIX



CT-003.DXF

WITHOUT FLOOR CHANNEL



CT-004.DXF

A14F: COMPONENT SELECTION


A14F is specified with 8 separate component groups. Components are required from each group to build an A14F folding door system except when indicated otherwise.

- 1 **Track** – choose material, surface finish and size required to suit opening
- 2 **Track Fixings** – choose material, head-fix or side-fix and number required to suit opening
- 3 **Carriers*** – choose material, 2 or 4-wheel carrier, tyre material & numbers of each required to suit door frame & panel layout
- 4 **Channel**** – choose material, surface finish and size required to suit opening
- 5 **Guides**** – choose roller material and number required to suit panel layout
- 6 **Hinge Sets** – choose surface finish, with or without handles and number of each required to suit panel layout
- 7 **Dropbolts***** – choose surface finish, size, type and number required to suit panel layout
- 8 **Accessories** – choose items which best suit opening and door panel requirements

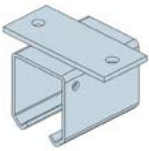
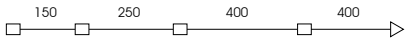
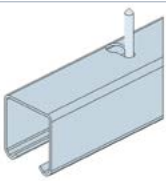
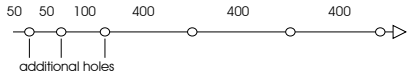
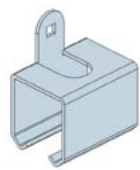
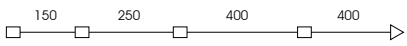
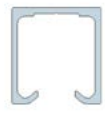
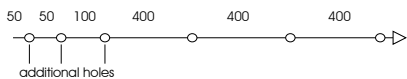
* Steel tyres cannot be used in aluminium top track.

** Floor channel and guides are optional. ***Centor Dropbolts may be used if no floor channel is required.



TRACK

PART	PRODUCT CODE	PART DESCRIPTION	
	14TA2	2000mm aluminium track, mill	
	14TA3	3000mm aluminium track, mill	
	14TA4	4000mm aluminium track, mill	
	14TA6	6000mm aluminium track, mill	
	14TA2N	2000mm aluminium track, natural anodised	
	14TA3N	3000mm aluminium track, natural anodised	
	14TA4N	4000mm aluminium track, natural anodised	
	14TA6N	6000mm aluminium track, natural anodised	
	14TA2G	2000mm aluminium track, gold anodised	
	14TA3G	3000mm aluminium track, gold anodised	
	14TA4G	4000mm aluminium track, gold anodised	
	14TA6G	6000mm aluminium track, gold anodised	
		14T2	2000mm galvabond track
		14T3	3000mm galvabond track
		14T4	4000mm galvabond track
		14T6	6000mm galvabond track
14T3SS		3000mm track, stainless steel	


FIXING

PART	SELECT FIXING METHOD	PRODUCT CODE	BRACKET FIXING CENTRES
	steel track head fix timber and concrete	14BXM	
	steel track head fix timber		1"x10g Round Head Screw 
	steel track side fix timber, concrete and steel	14BSF	
	aluminium track head fix only timber		1"x10g Countersunk Head Screw 



CARRIERS

PART	SELECT WEIGHT	PRODUCT CODE	PART DESCRIPTION
	20kg	142CCN	2 wheel carrier with nylon tyres and precision bearings
	20kg	142CC	2 wheel carrier with steel tyres and precision bearings
	40kg	144CCN	4 wheel carrier with nylon tyres and precision bearings
	40kg	144CCNSS	4 wheel carrier with nylon tyres, all stainless steel construction including stainless steel precision bearings
	40kg	144CC	4 wheel carrier with steel tyres and precision bearings

CHANNEL

PART	PRODUCT CODE	PART DESCRIPTION
	E2FCA2N	2000mm 19 x 26mm aluminium channel, natural anodised
	E2FCA3N	3000mm 19 x 26mm aluminium channel, natural anodised
	E2FCA4N	4000mm 19 x 26mm aluminium channel, natural anodised
	E2FCA6N	6000mm 19 x 26mm aluminium channel, natural anodised
	E2FCA2G	2000mm 19 x 26mm aluminium channel, gold anodised
	E2FCA3G	3000mm 19 x 26mm aluminium channel, gold anodised
	E2FCA4G	4000mm 19 x 26mm aluminium channel, gold anodised
	E2FCA6G	6000mm 19 x 26mm aluminium channel, gold anodised
	E2FCB2	2000mm 19 x 26mm brass channel
	E2FCB3	3000mm 19 x 26mm brass channel
	E2FCB4	4000mm 19 x 26mm brass channel
	E2FCB6	6000mm 19 x 26mm brass channel

GUIDES

PART	PRODUCT CODE	PART DESCRIPTION
	ATFGS	single roller guide, 22mm diameter, stainless steel
	ATF6SN	single roller guide, nylon tyre

INSTALLATION

Preparation

These are the carrier and floor guide preparations for timber doors. Note that the carrier is centred on the top rail of the door with the centre of the guide roller vertically below centre of the carrier adjusting bolt.

It is important that the carriers and guides are mounted square to the edge, faces and top/bottom of stiles.

Door sizing calculations are shown below. Note that panel widths are always worked on the "whole door" dimension, not including the additional tongue.

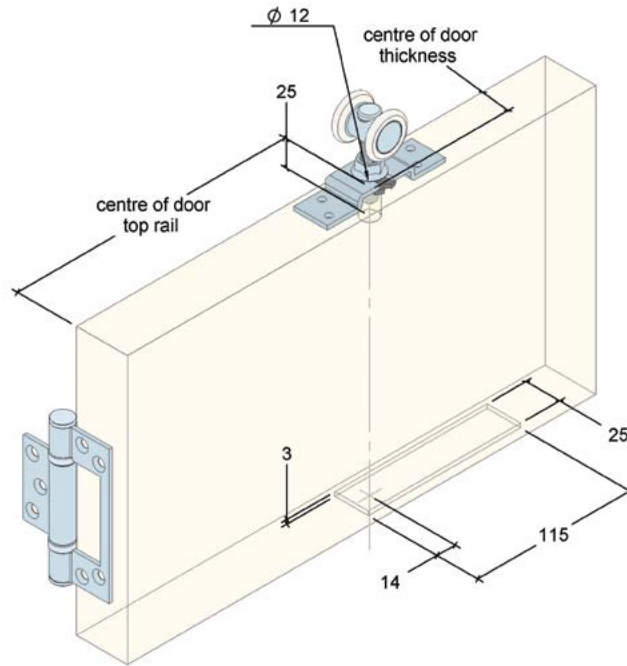
Installation

Prepare carrier and guide rebates, hinge matching panels together using eclipse hinge E2H, separate panels by releasing one side of each eclipse hinge, detach carrier with star nut from carrier bracket, fit guides and carrier brackets, feed carriers into track, fit track and channel, hang panels one at a time from jamb outwards, use star nut for final adjustment to align door tops, tighten lock nuts.

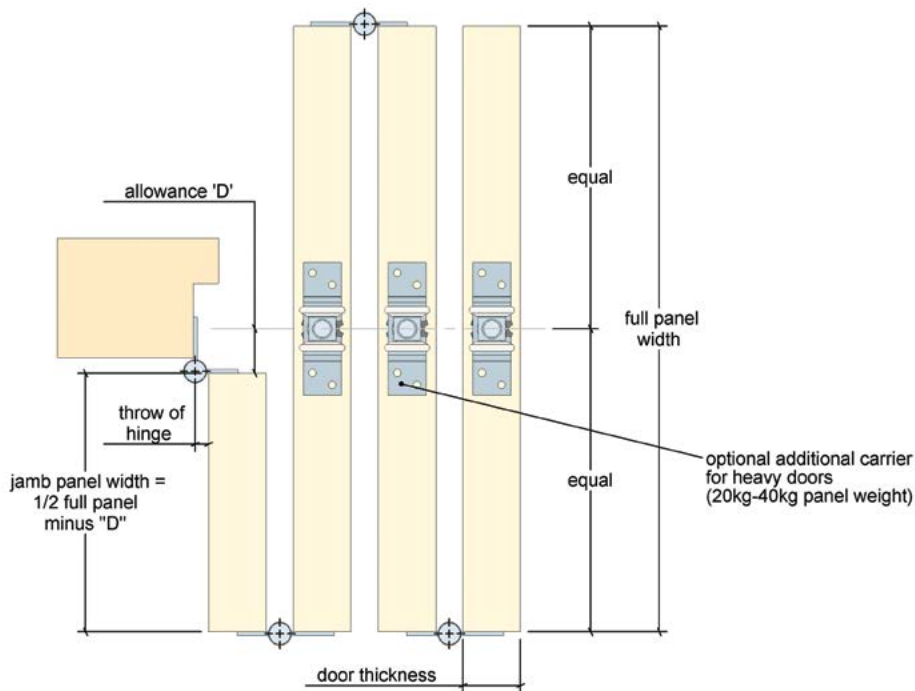
Most Important

Lubricate track with automobile bearing grease.

142CC CARRIER MOUNTING DETAIL



DOOR PANEL SIZING



DOOR PANEL SIZING

allowance "D" = 1/2 door thickness + throw of hinge

Nominal width of panels for doors folding 1 way

$$\text{full panel width} = \frac{\text{opening width} + "D"}{\text{number of doors (include half panel)}}$$

Nominal width of panels for doors folding 2 ways

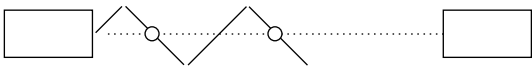
$$\text{full panel width} = \frac{\text{opening width} + (2 \times "D")}{\text{number of doors (include half panel)}}$$

Nominal width of all jamb (half) panels

$$\text{jamb / half panel width} = \frac{\text{full panel width}}{2} - D$$

Note that these widths are only nominal. A further 3mm clearance between all panels is recommended.

EXAMPLE (1 WAY)

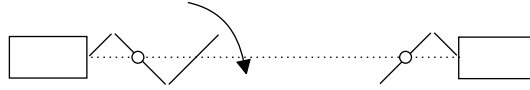


To use 3 1/2 panels x 40mm thick in a single direction, across an opening of 3042mm, and with a throw of hinge of 4mm

$$\text{full panel width (nom)} = \frac{3042 + 20 + 4}{3 \frac{1}{2}} = 876 - 3 = 873\text{mm}$$

$$\text{jamb (half) panel width (nom)} = \frac{876}{2} = 438 - 20 - 7 = 411\text{mm}$$

EXAMPLE (2 WAY)



To use 2 1/2 + 1 1/2 panels x 40mm thick in opposing directions, across an opening of 3264mm, and with a throw of hinge of 4mm

$$\text{full panel width (nom)} = \frac{3264 + (2 \times 20) + (2 \times 4)}{(2 \frac{1}{2} + 1 \frac{1}{2})} = 828 - 3 = 825\text{mm}$$

$$\text{jamb (half) panel width (nom)} = \frac{828}{2} - 20 - 4 = 390 - 3 = 387\text{mm}$$

