

A close-up photograph of a Centor Twinpoint lock mechanism. The lock is shown in a dark, possibly black or dark grey, finish. The handle is visible, and the word "centor" is printed on it in a light color. The lock is mounted on a metal surface, and the background is blurred, showing the metallic components of the door frame.

centor®

Centor Twinpoint lock
winner of the AWA 2010 Design Award

Contents

Introduction	1
Installation, Function, Style, Finishes and materials	2
Testing, Maintenance, Warranty, Twinpoint selection process	3
Component selection guide	4
Product details – LT for timber doors	6
Architectual detail – Centor F2/F3	12
Architectual detail – Centor E2	18
Architectual detail – Centor E3	23
Product details – LA for aluminium doors	28
Component selection guide	29
Common panel layouts	34



2010 AWA Design Awards Winner
Most Innovative Door Component

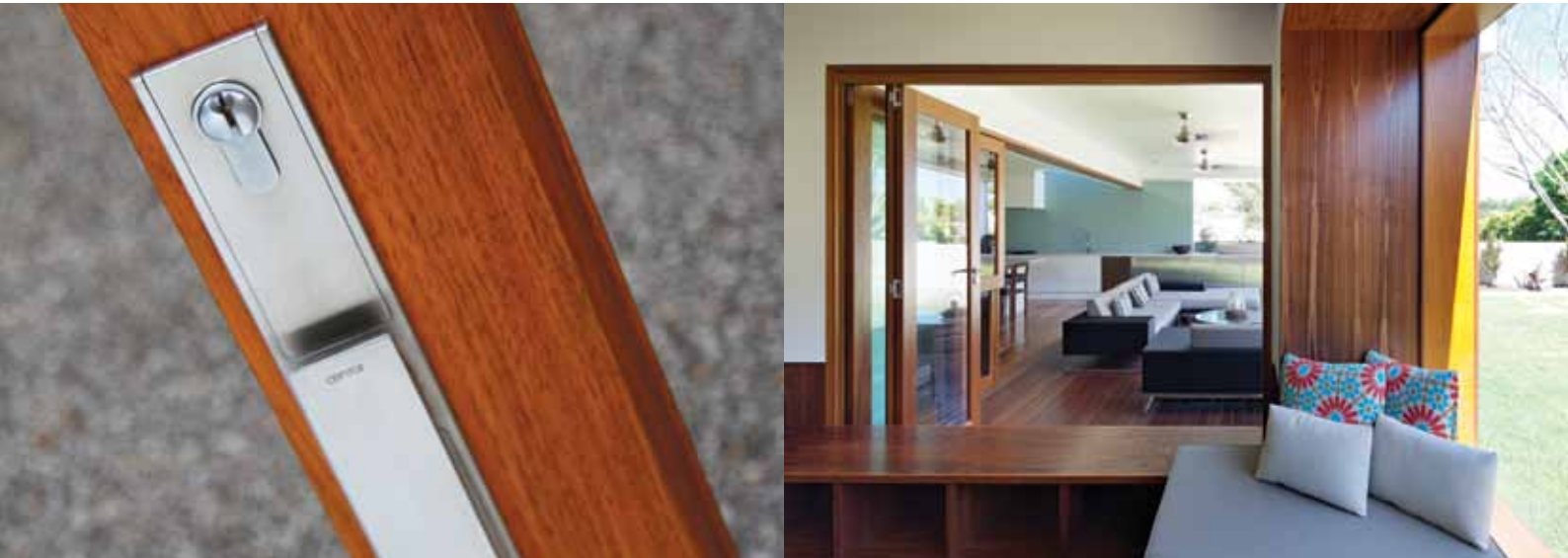


Specifications	
door thickness	minimum 35mm
handle height	1020mm or custom
security	keyed, non-keyed
throw length	20mm (LT3), 25mm (LT2)
uses	folding, French & sliding doors
LT	timber doors
LA	aluminium doors

The award-winning Centor Twinpoint locking system is the first folding door-specific rebated lock to combine a robust, single-action, low profile handle with the strength required for multi-panel door systems up to 3m high. The Centor Twinpoint is a convenient, stylish and secure alternative to dropbolts. The LT Twinpoint for timber doors and LA Twinpoint for aluminium doors are easy to install and a delight to use.



compact design
preserves the door
stile's integrity



Installation

The Centor Twinpoint's compact design preserves the door stile's integrity. Timber door stiles can be routed simply, with a router bit available from Centor. Full installation instructions and customisable calculation software ensure locks can be installed correctly and with the minimum fuss. Centor LockCalc software is available from Centor's website.

Function

Centor LT and LA operate easily with a simple handle rotation, driving a 20 or 25mm throw into the head and sill. This makes it one of the most secure drop bolt locks on the market.

An installed Centor Twinpoint system is completely accessible and serviceable.

Centor Twinpoints are available non-keyed and keyed. Keyed systems use a robust pin cylinder, and have a damage-proof design where a door cannot be unbolted without first removing the key.

For people with mobility impairments, the Centor Twinpoint offers the security of two dropbolts, but without the access problems associated with dropbolts being too high or low to reach.

Style

LT and LA have the sleek and clean styling synonymous with all Centor products. Their low profile allows any folding system, such as Centor F2, F3, E2, E3 or E4, to stack neatly, without intrusive door furniture getting in the way.

Centor Twinpoint locks are fully concealed within the door stile, avoiding dropbolts fixed to the door face.

The Centor Twinpoint is an unobtrusive, functional and sleek locking solution.

Finishes and materials

The stainless steel and aluminium door furniture is available in a range of finishes to suit any door or décor. Centor LT and LA Twinpoint locks are made from durable, corrosion-resistant materials.

tested to Centor's high standards of operation and function



Testing

As part of our commitment to quality, the Centor LT and LA locking mechanism has been cycled tested to 100,000 cycles to ensure it meets Centor's high standards of operation and function. Deflection and structural testing of a complete door system delivered impressive results for both LT and LA.

Maintenance

To ensure the trouble free operation of Centor's Twinpoint, the locking system should be kept free from dirt, grit and sea spray. External components of the Twinpoint can be cleaned with a mild detergent solution to keep the LT and LA locking systems looking their best

Warranty

Like all Centor hardware systems, Centor LA and LT Twinpoint locks come with a 10-year warranty.

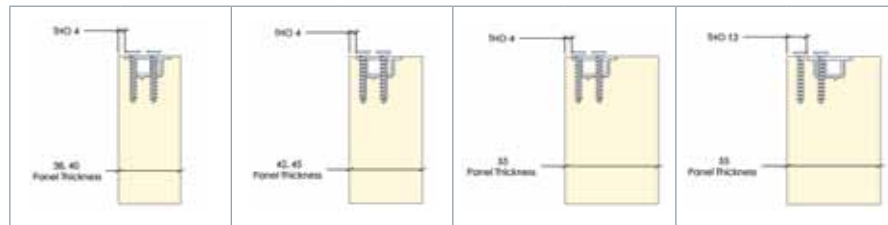
Twinpoint selection process








1. Inward or outward opening
2. Top hung or bottom-rolling system
3. Panel size and weight
4. Head and sill profiles
5. Refer to *Component selection guide* matrix for compatibility on page 4

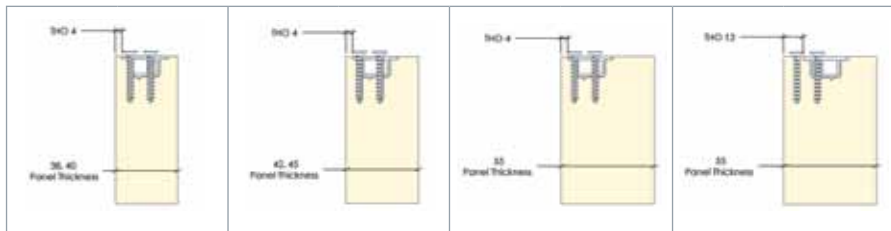







Component selection guide

The table below shows configuration options for installing the Twinpoint with each of Centor's folding door systems. Use this table to determine which sill and Twinpoint configuration will meet your project's requirements.



Panel Thickness	38, 40mm		42, 45mm		55mm			
Twinpoint Hinge Offset - THO	4mm		4mm		4mm		12mm	
Key Cylinder (optional)	3 Pin		3 Pin	5 Pin	3 Pin	5 Pin	5 Pin	
Opening	Outward	Inward	Outward	Inward	Outward	Inward	Outward	Inward
F2 / F3								
Straight head / Basic sill  BC	<input type="checkbox"/>		<input checked="" type="checkbox"/>		<input checked="" type="checkbox"/>		<input checked="" type="checkbox"/>	
Twinpoint head / Twinpoint sill 	<input type="checkbox"/>		<input checked="" type="checkbox"/>					
E2								
E2 track head / E2 straight channel  BC	<input checked="" type="checkbox"/>	<input checked="" type="checkbox"/>	<input checked="" type="checkbox"/>	<input checked="" type="checkbox"/>	<input checked="" type="checkbox"/>		<input checked="" type="checkbox"/>	<input checked="" type="checkbox"/>
E2 track head / E2 concealed channel  BC	<input type="checkbox"/>	<input type="checkbox"/>	<input checked="" type="checkbox"/>	<input checked="" type="checkbox"/>	<input checked="" type="checkbox"/>		<input checked="" type="checkbox"/>	<input checked="" type="checkbox"/>
E2 track head / E2 timber sill  BC	<input checked="" type="checkbox"/>	<input checked="" type="checkbox"/>						
E2 track head / E2 concealed timber sill 								
ES2 head / ES2 sill 								



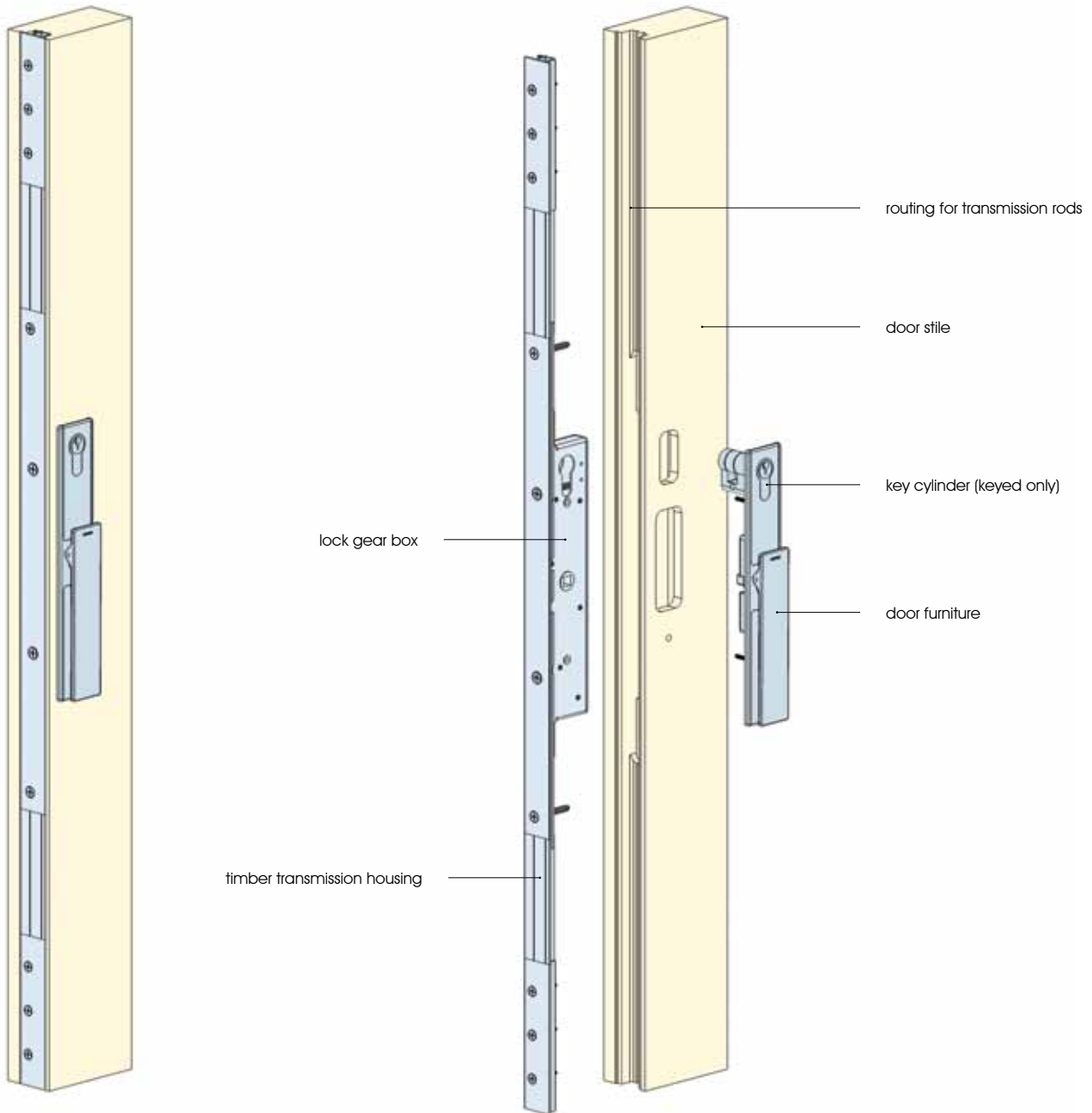
Panel Thickness	38, 40mm		42, 45mm		55mm			
Twinpoint Hinge Offset - THO	4mm		4mm		4mm		12mm	
Key Cylinder (optional)	3 Pin		3 Pin	5 Pin	3 Pin	5 Pin	5 Pin	
Opening	Outward	Inward	Outward	Inward	Outward	Inward	Outward	Inward
E3								
E3 track head straight / E3 channel sill  BC	<input type="checkbox"/>	<input type="checkbox"/>	•	•	•		•	•
E3 track head concealed / E2 channel sill  BC	<input type="checkbox"/>	<input type="checkbox"/>	•	•	•		•	•
E3 track head / E2 timber sill  BC	<input type="checkbox"/>	<input type="checkbox"/>						
E3 track head / E2 concealed timber sill 								
E4								
E4 Track Head / E4 Channel Sill  *57mm min panel thickness								

- = straight 25mm bolt compatible
- = offset 20mm bolt REQUIRED
- BC = suitable with Twinpoint bolt cup
- 5 pin = 5 pin cylinder (supplied by others)
- = door, head and sill combination not technically possible

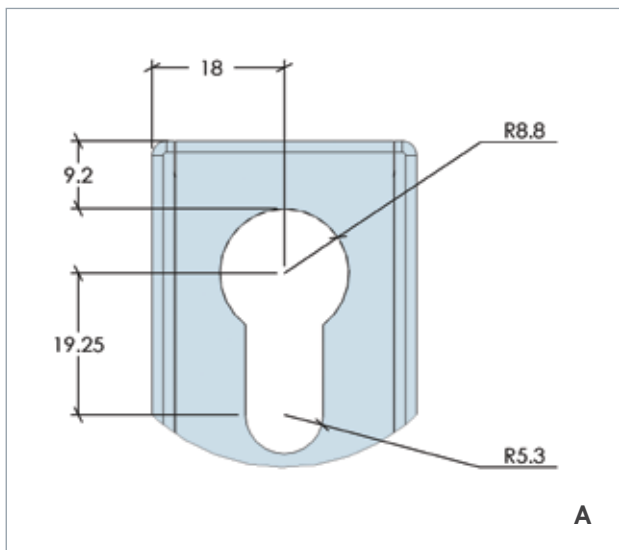
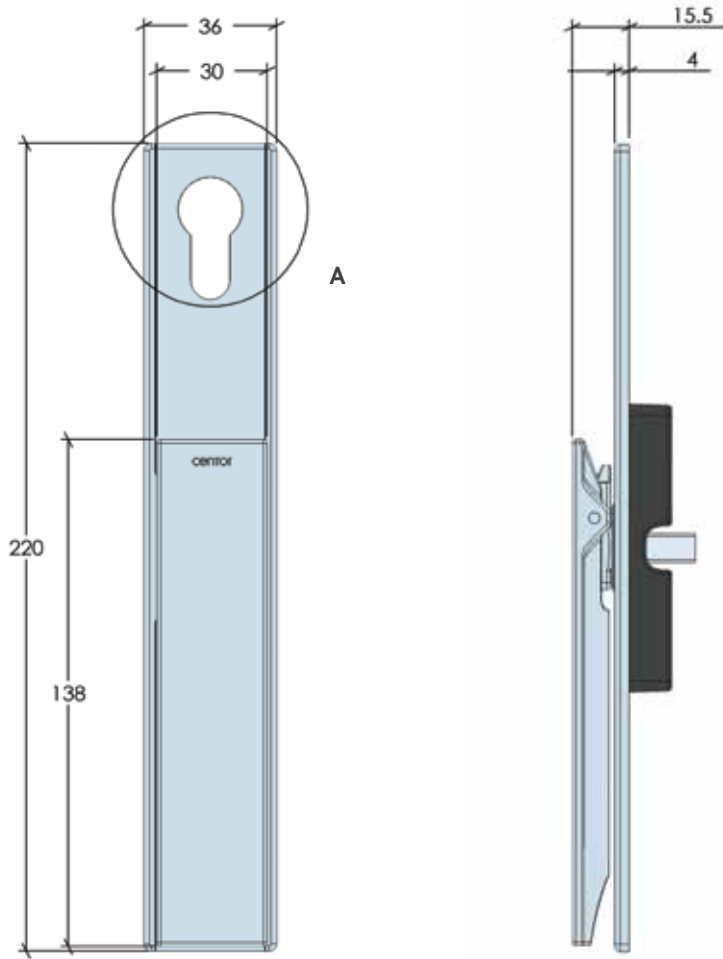
Product details – timber panels

Downloadable DXF, DWG and PDF files ready for use in your own documentation are a convenient resource for architects and specifiers wishing to use Centor systems.

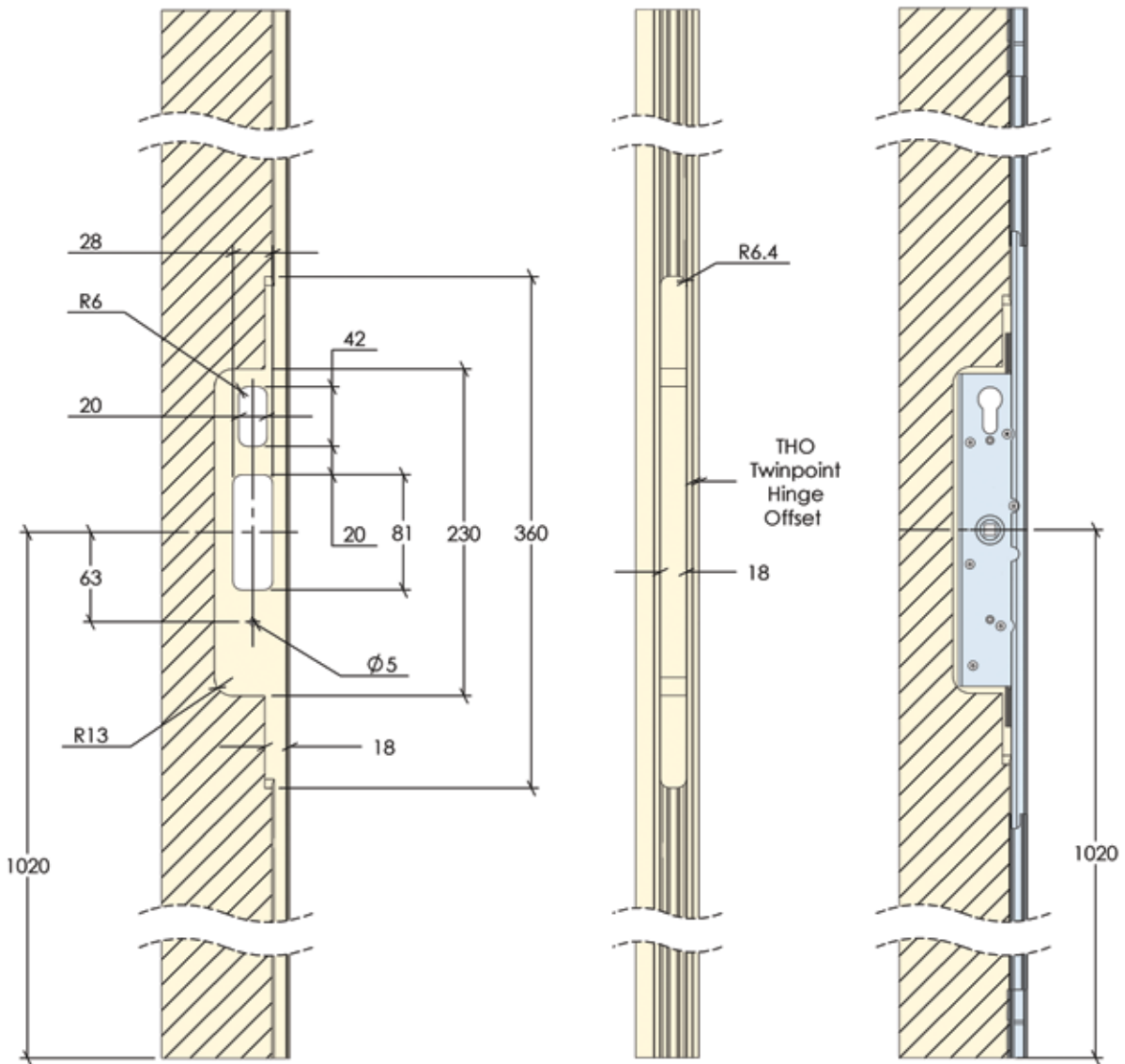
Twinpoint DXF, DWG or PDF files can be downloaded from www.centor.com.au



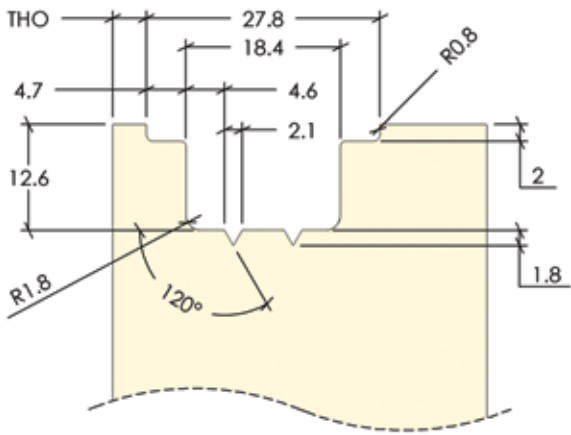
Product detail – door furniture



Routing detail – general

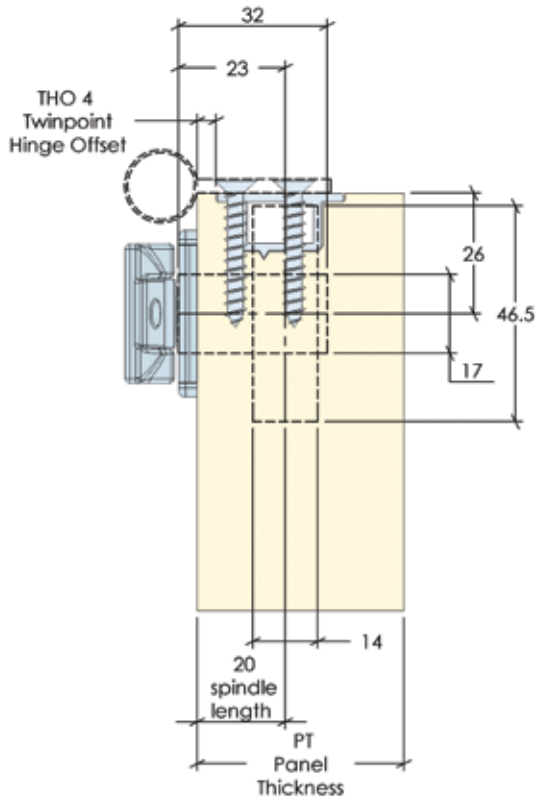


Routing detail – stile

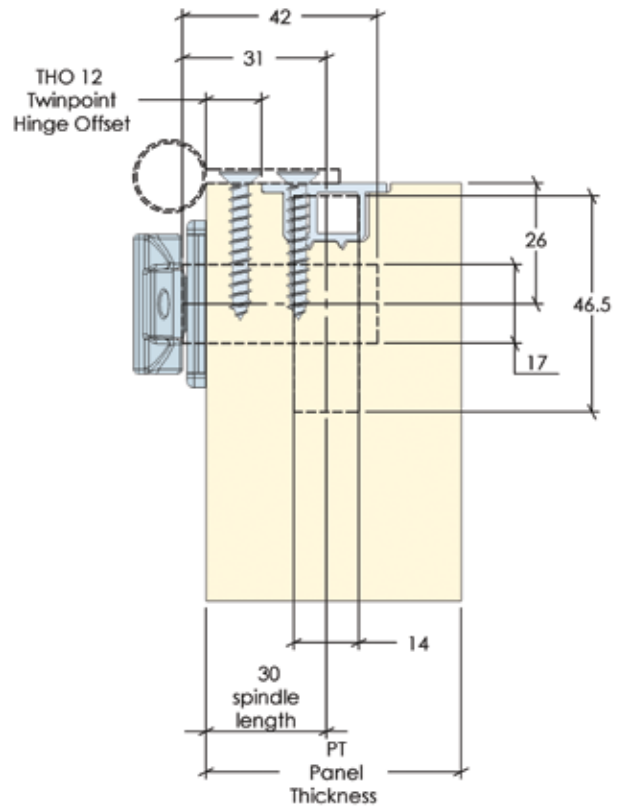


Key cylinder detail

38mm timber panels – 3 pin cylinder



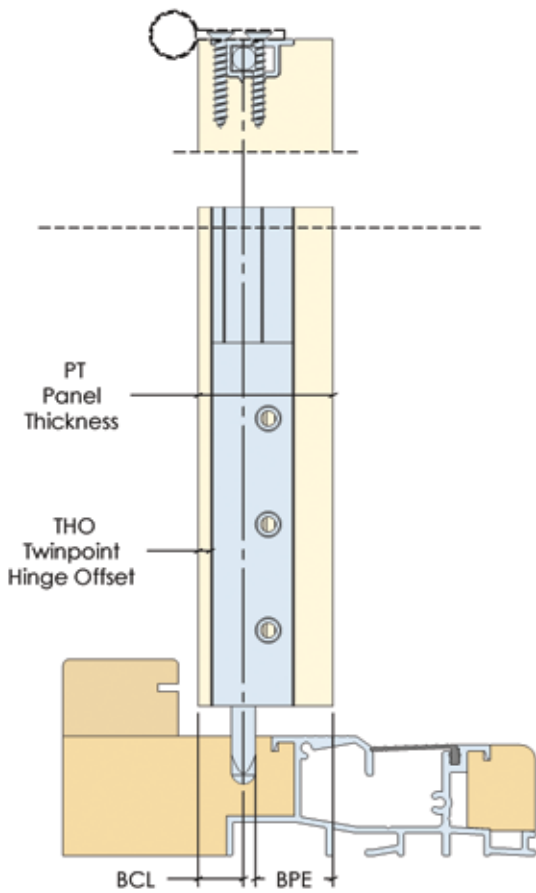
57mm timber panels – 5 pin cylinder



26mm	centreline cylinder to edge of door
46.5mm	depth of gearbox
17mm	width of cylinder
14mm	width of gearbox

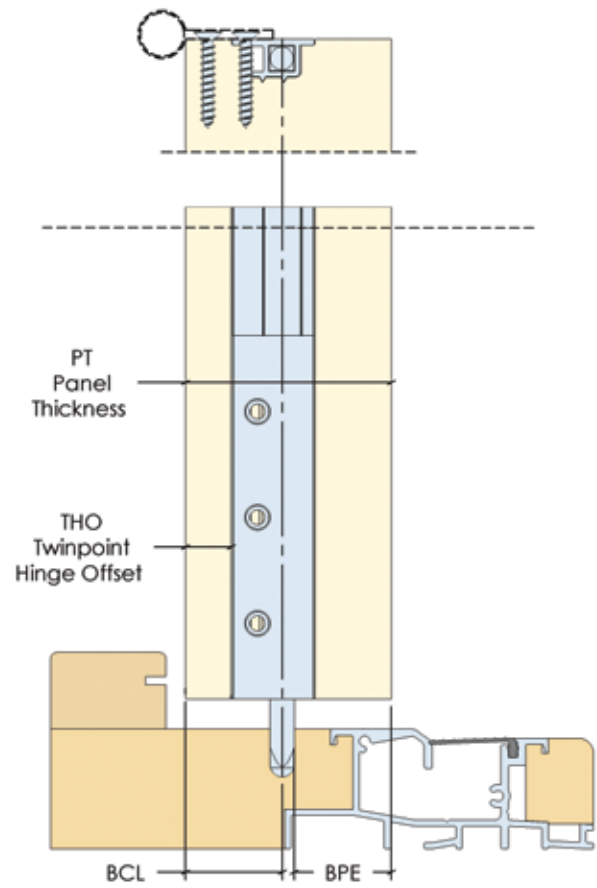
Twinpoint hinge offset (THO)

3 pin cylinder



THO	Key cylinder	BLC	BPE
4mm	23mm (3 pin)	15mm	PT - 19

5 pin cylinder



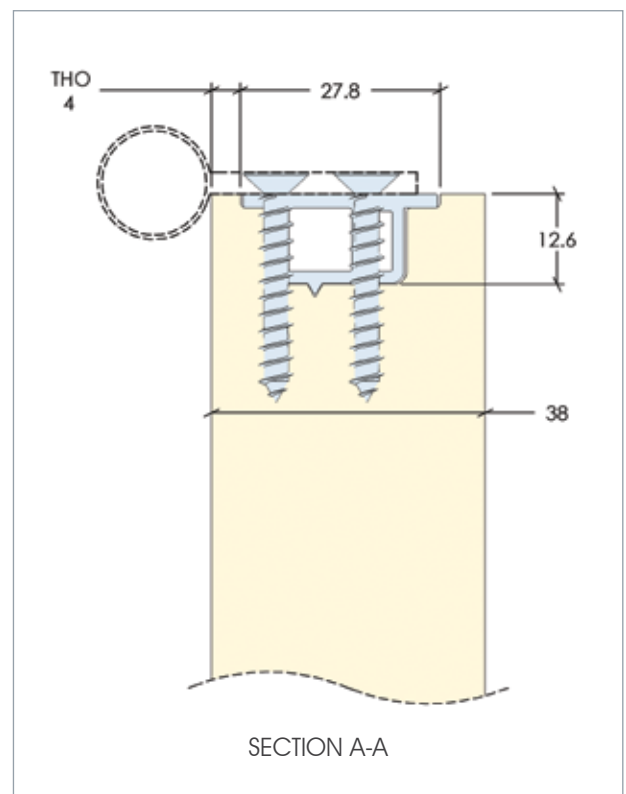
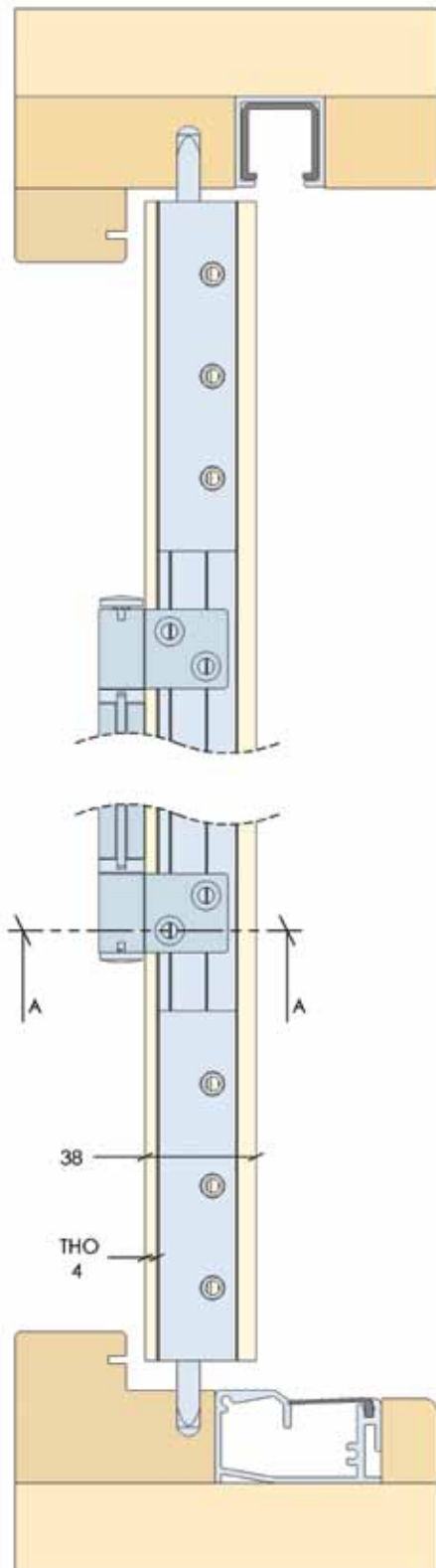
THO	Key cylinder	BLC	BPE
12mm	31mm (5 pin)	29mm	PT - 33

Legend

THO	Twinpoint hinge offset
BCL	bolt centreline
BPE	bolt panel edge

Architectural detail – Centor F2/F3

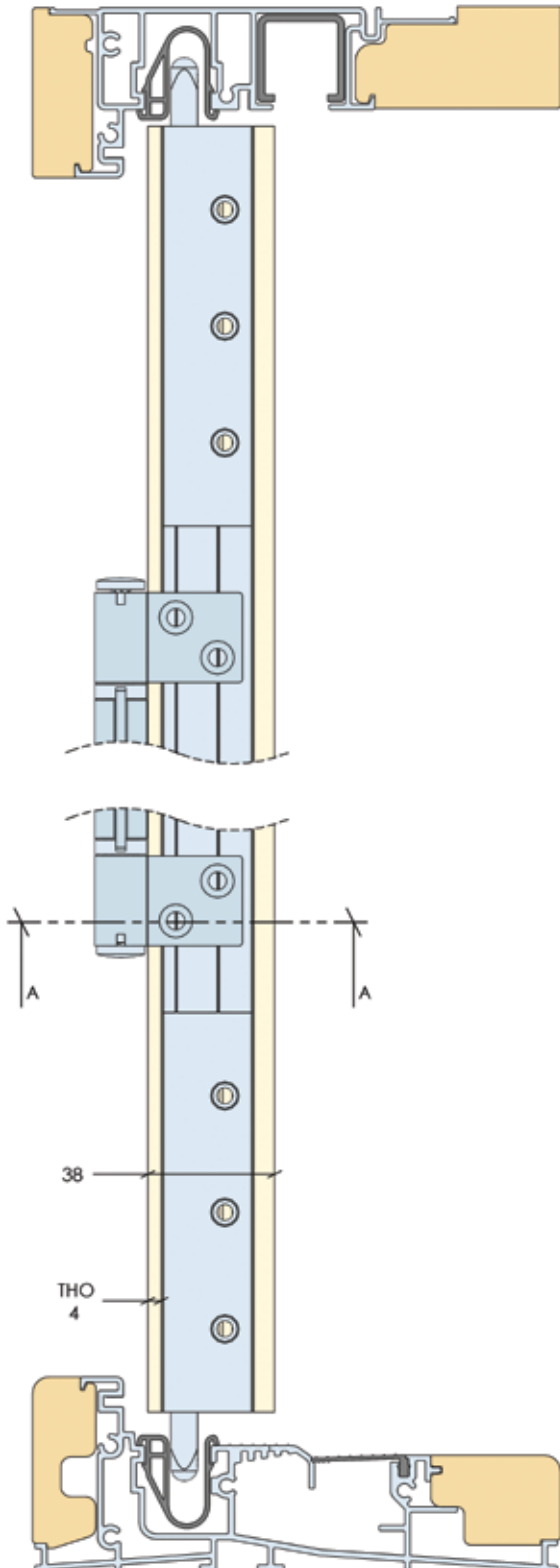
38mm timber panels shown with FRAHS and FRSB



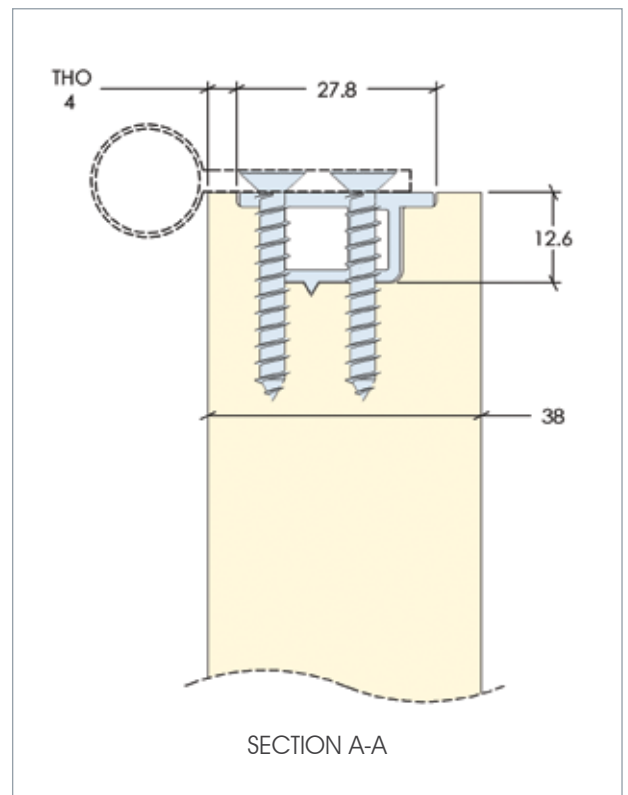
Use with LT2 kit

Architectural detail – Centor F2/F3

38mm timber panels shown with FRAHT and FRAST



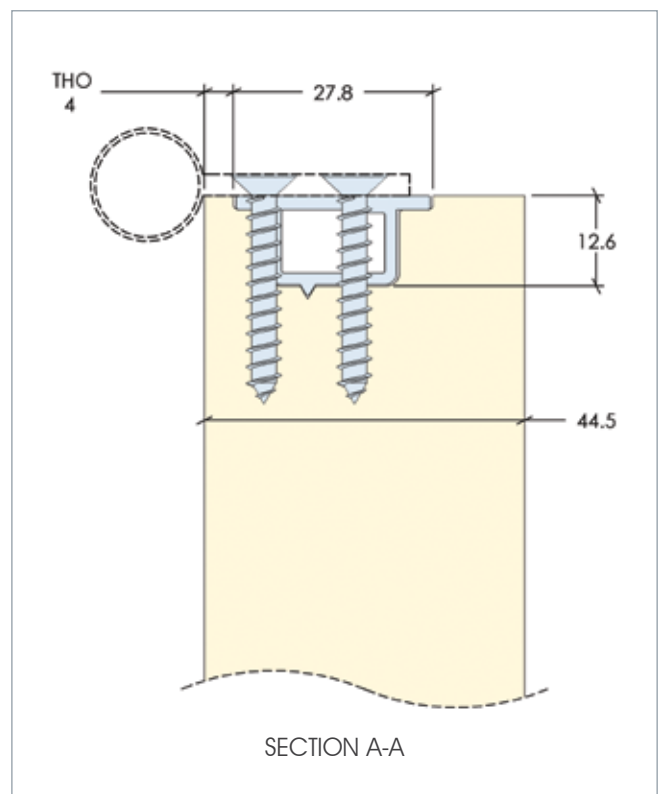
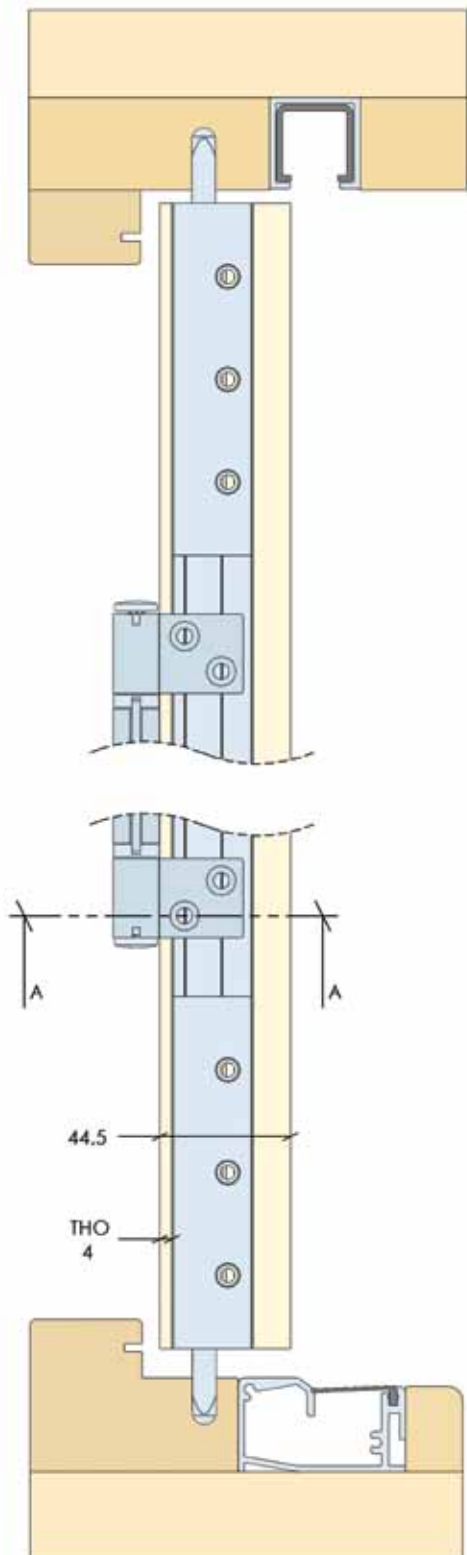
Use LT3MPBCK moulded plastic bolt cup



Use with LT3 kit

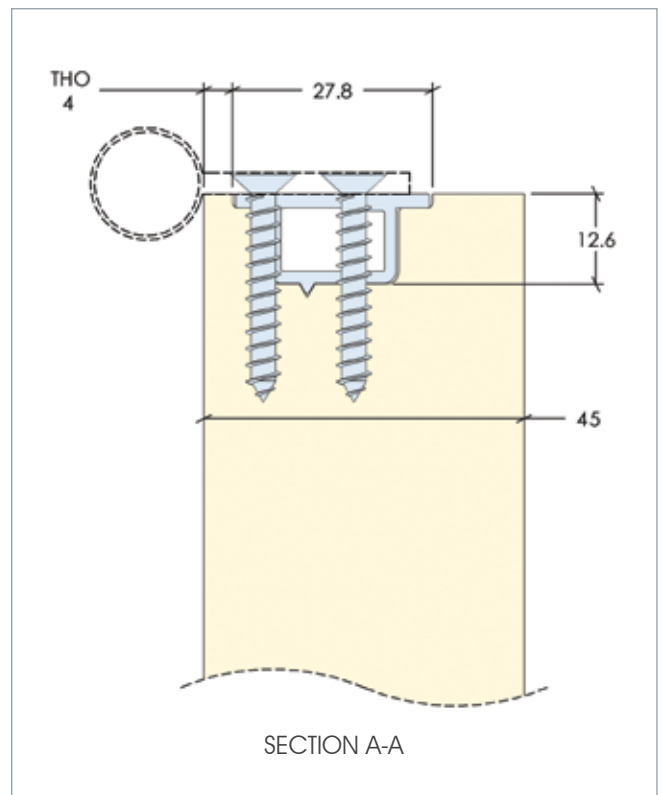
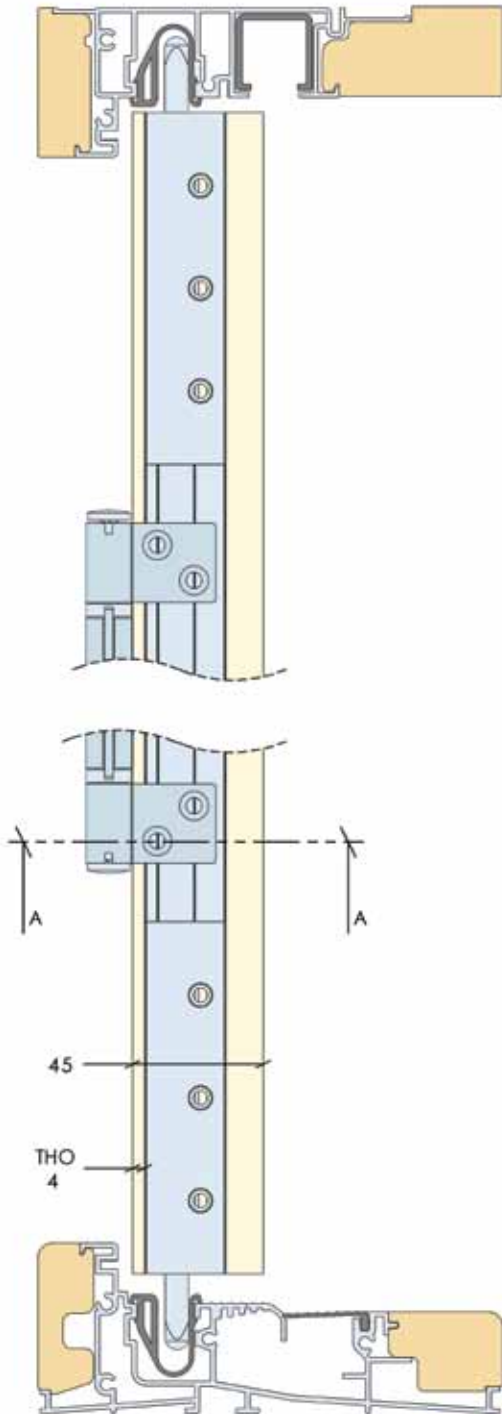
Architectural detail – Centor F2/F3

45mm timber panels shown with FRAHS and FRSB



Use with LT2 kit

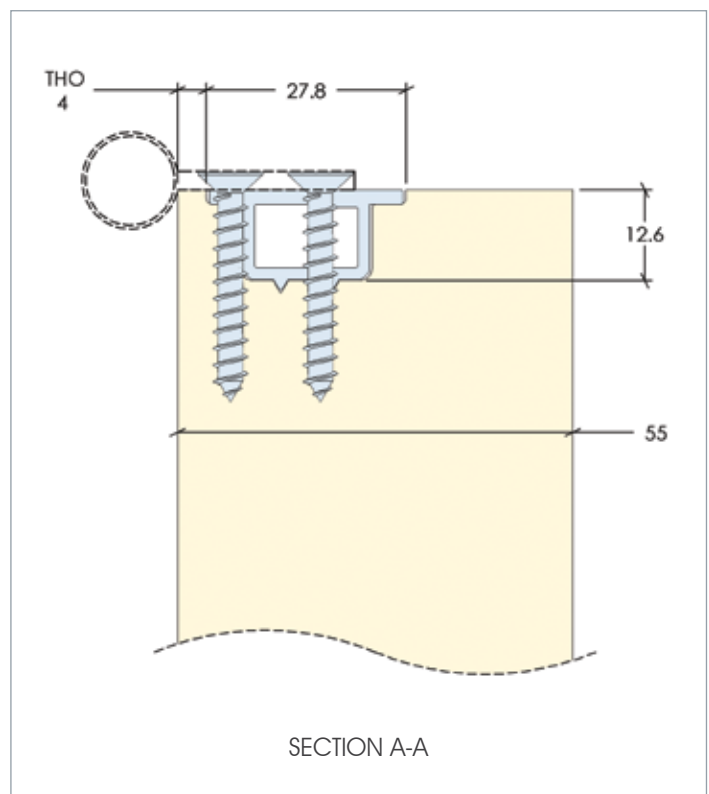
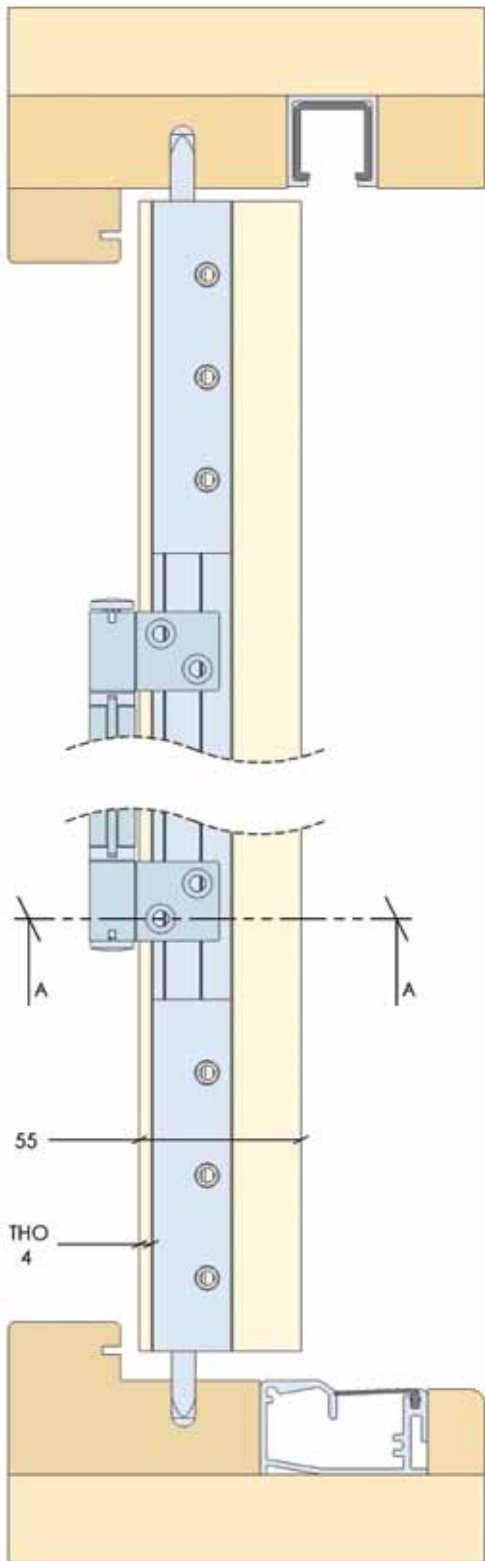
Architectural detail – Centor F2/F3
45mm timber panels shown with FRAHT and FRAST



Use with LT2 kit

Architectural detail – Centor F2/F3

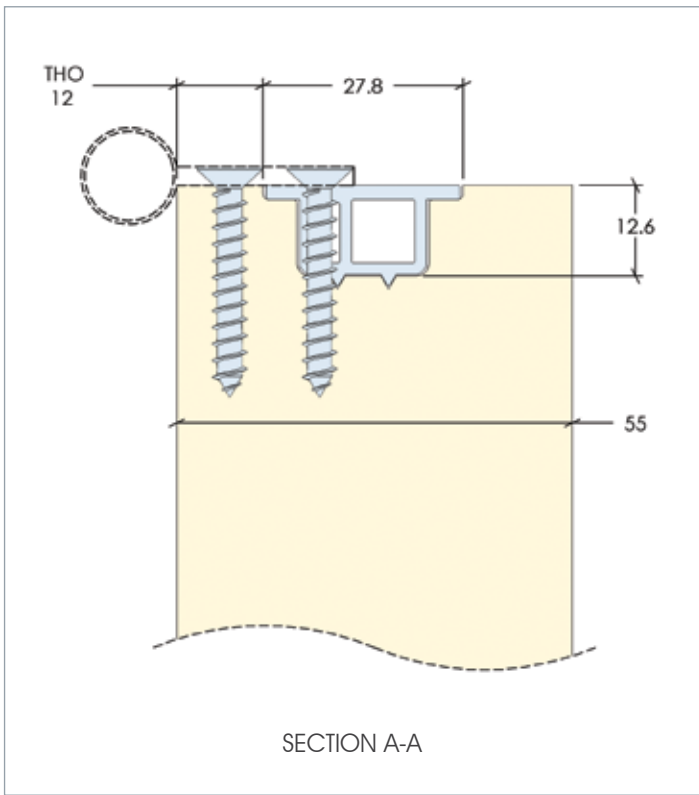
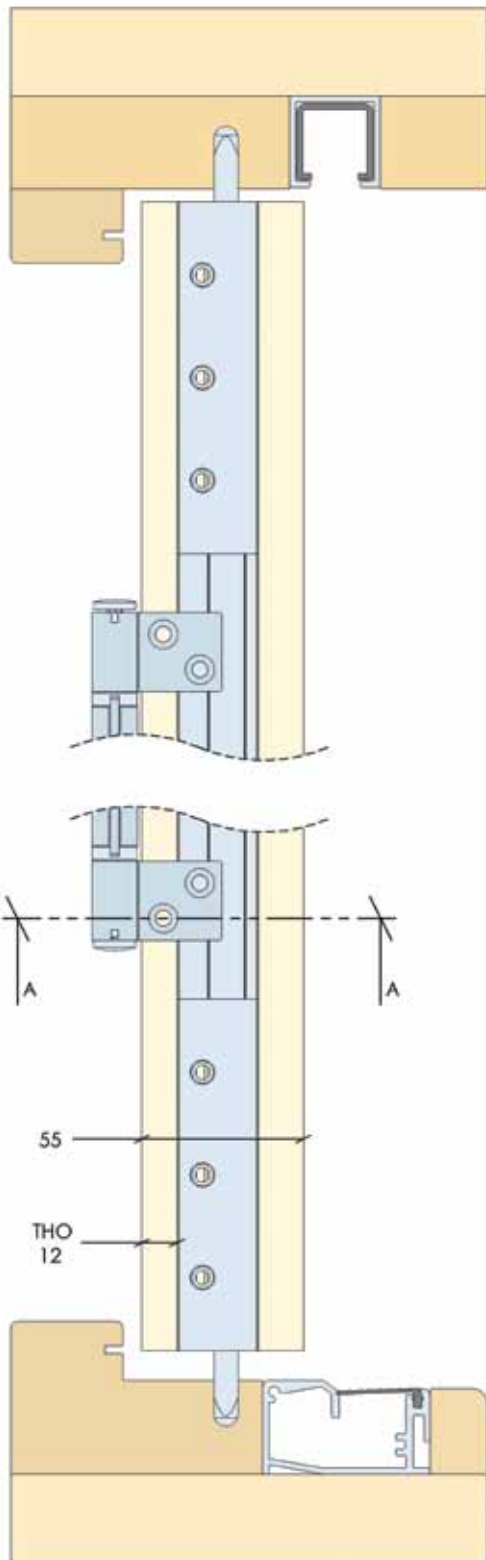
55mm timber panels shown with FRAHS and FRSB



Use with LT2 kit

Architectural detail – Centor F2/F3

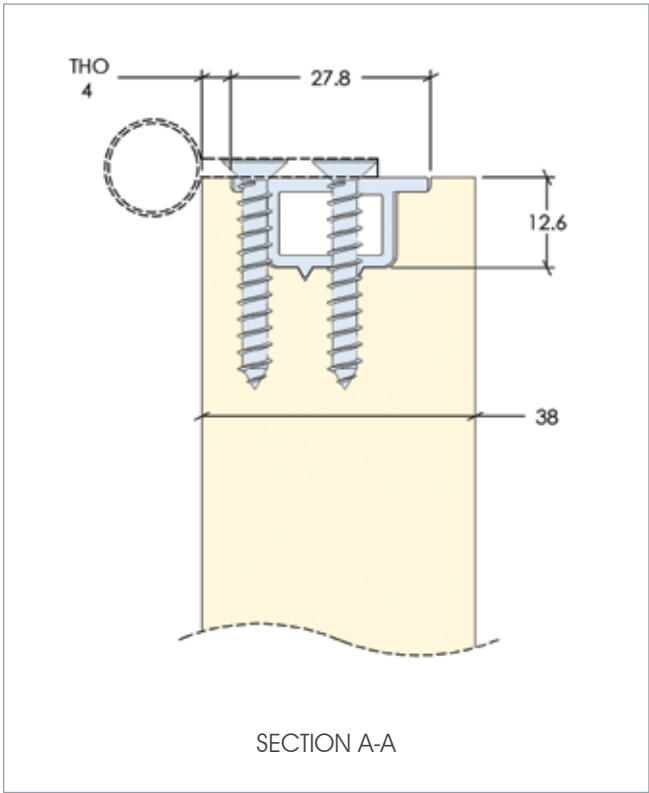
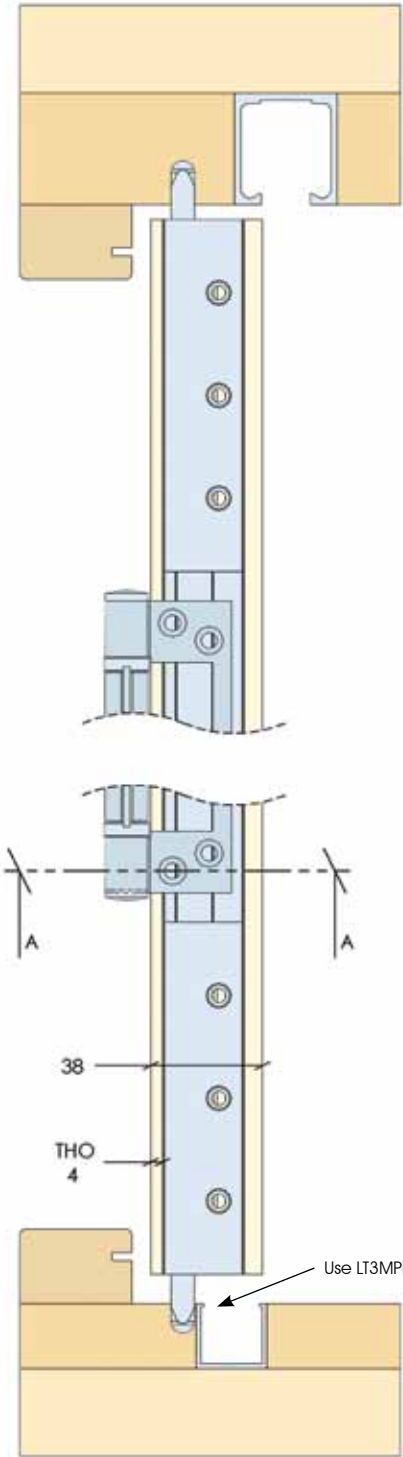
55mm timber panels shown with FRAHS and FRSB



Use with LT2 kit

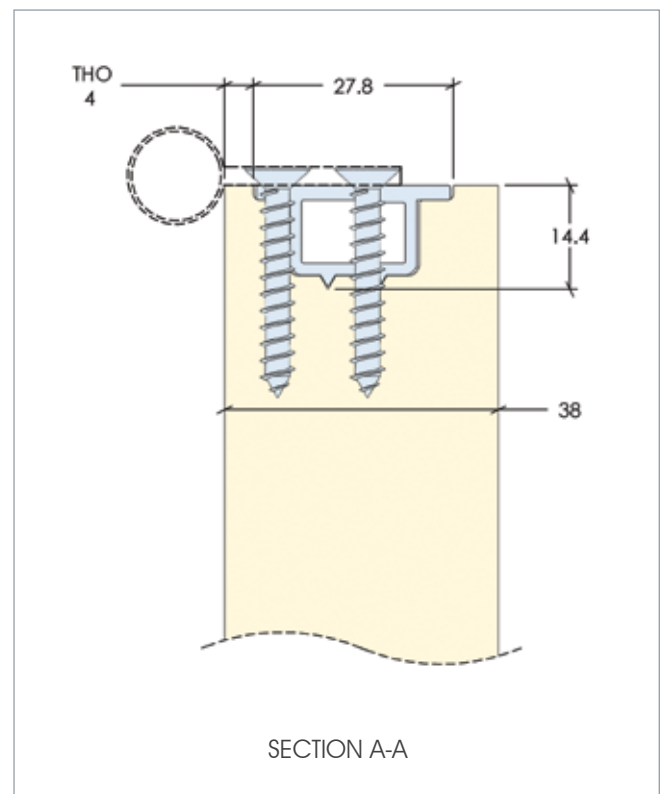
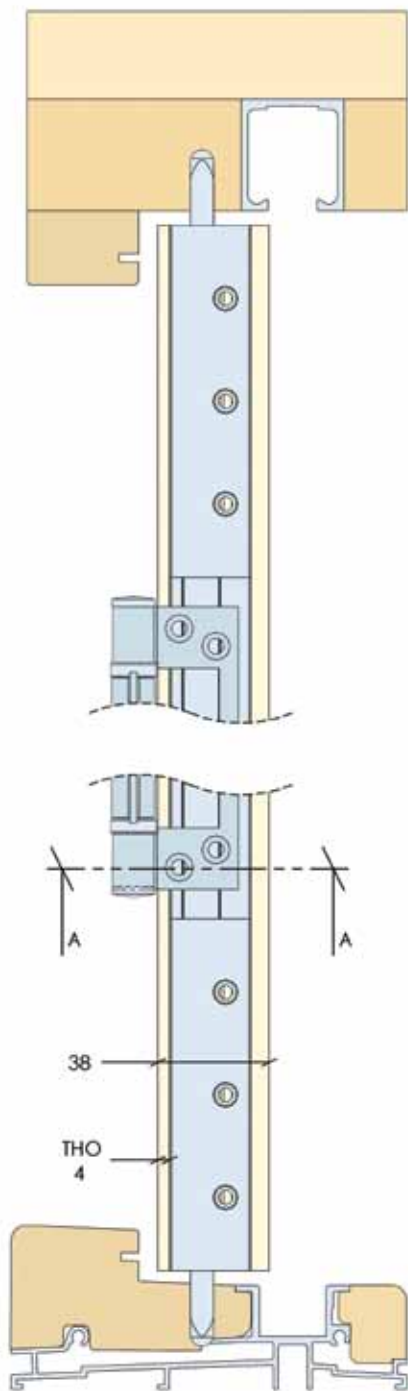
Architectural detail – Centor E2

38mm timber panels shown with 14TA and E22FCR



Use with LT3 kit only

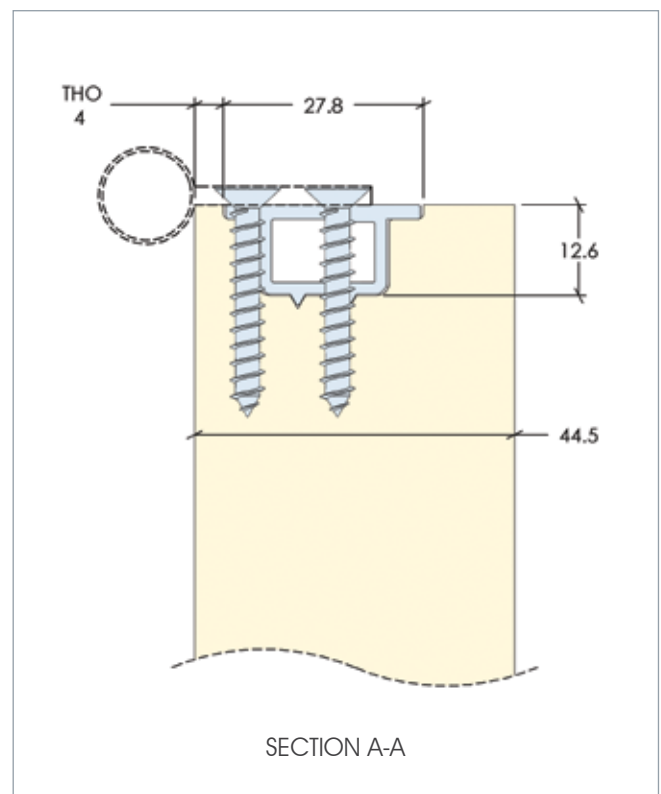
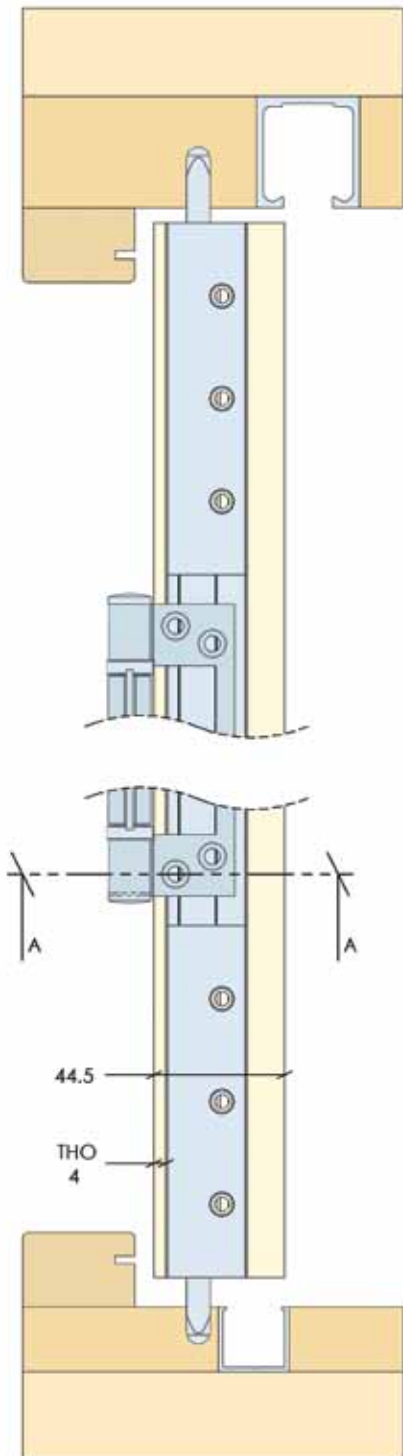
Architectural detail – Centor E2
38mm timber panels shown with 14TA and E2IS



Use with LT2 kit

Architectural detail – Centor E2

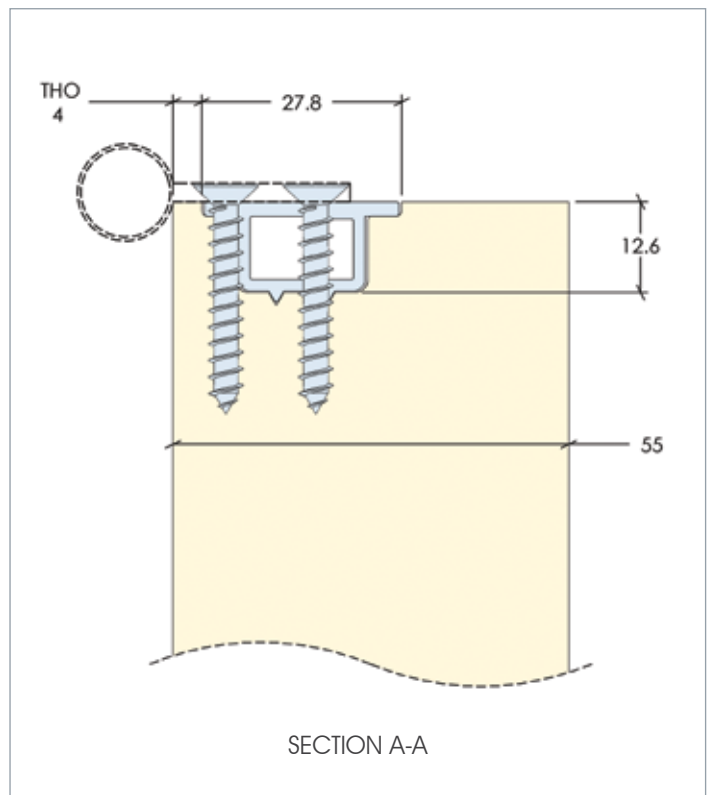
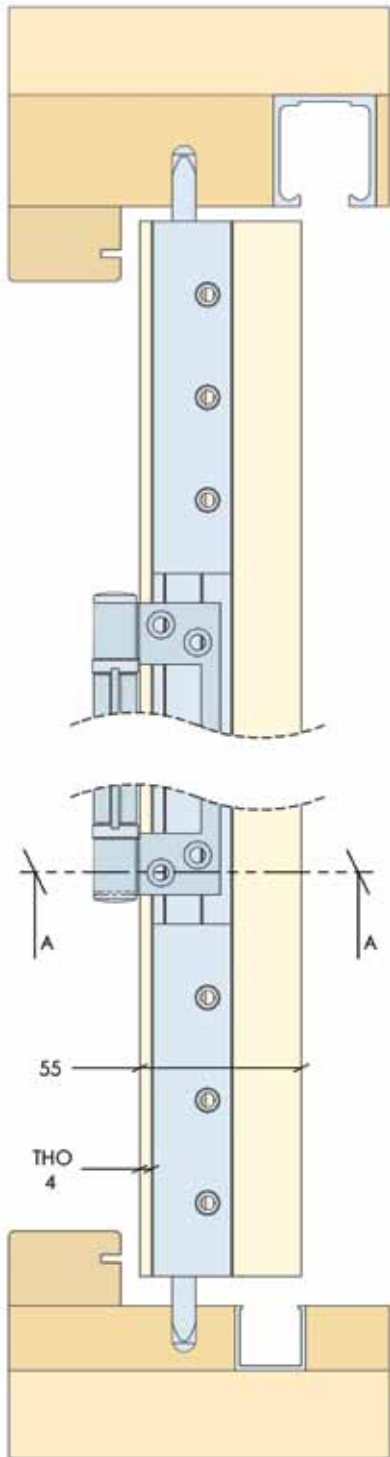
45mm timber panels shown with 14TA and E22FCR



Use with LT2 kit

Architectural detail – Centor E2

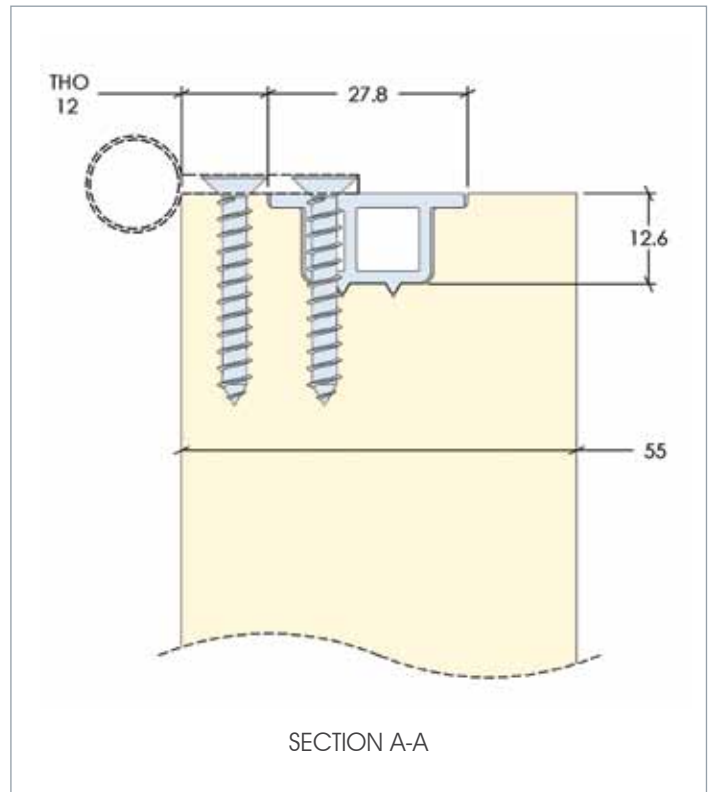
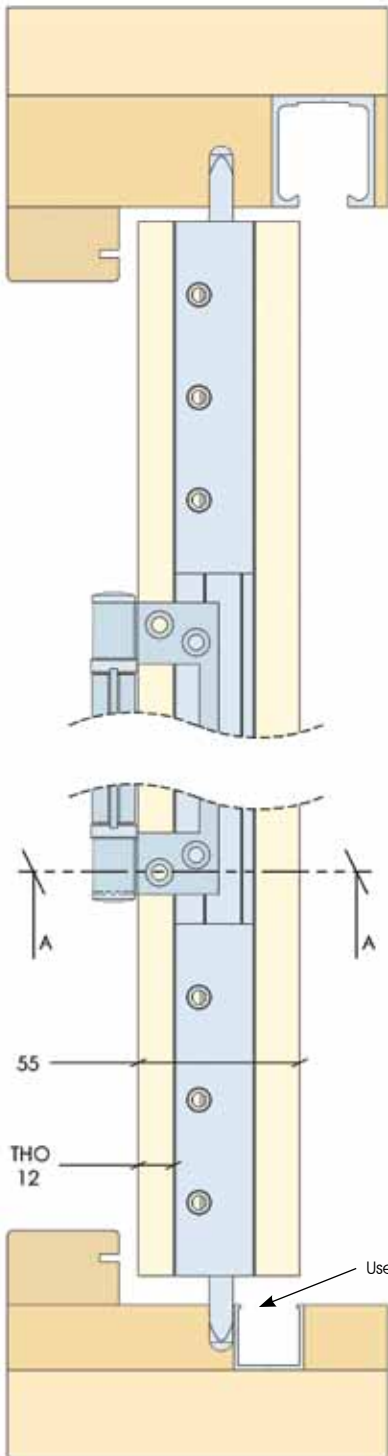
55mm timber panels shown with 14TA and E22FCR



Use with LT2 kit

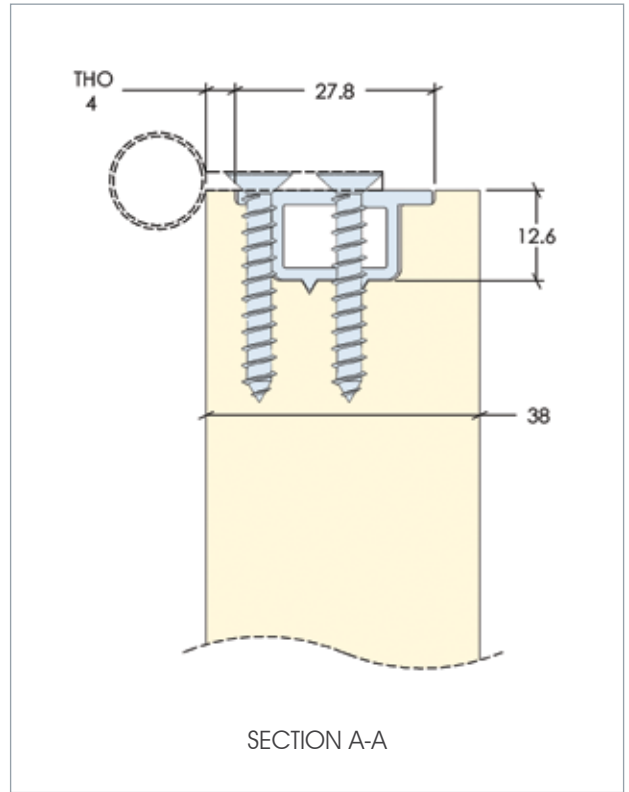
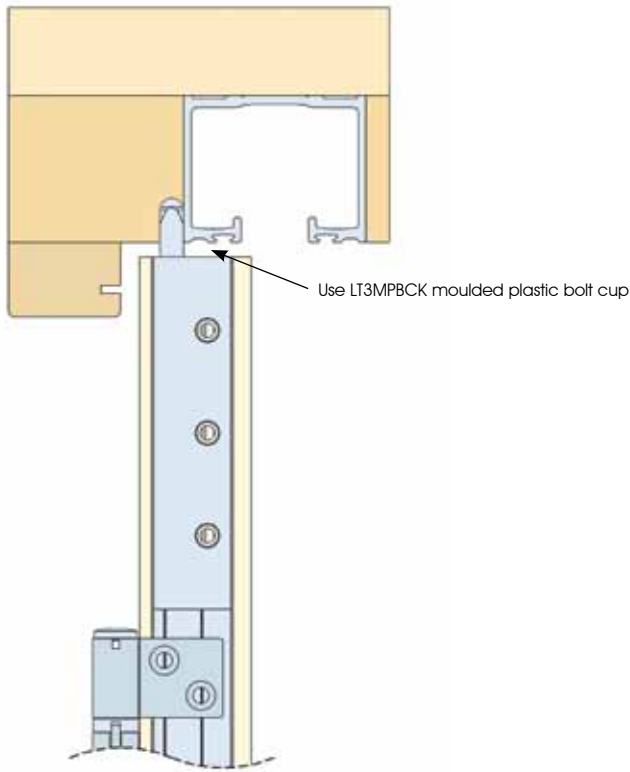
Architectural detail – Centor E2

55mm timber panels shown with 14TA and E22FCR

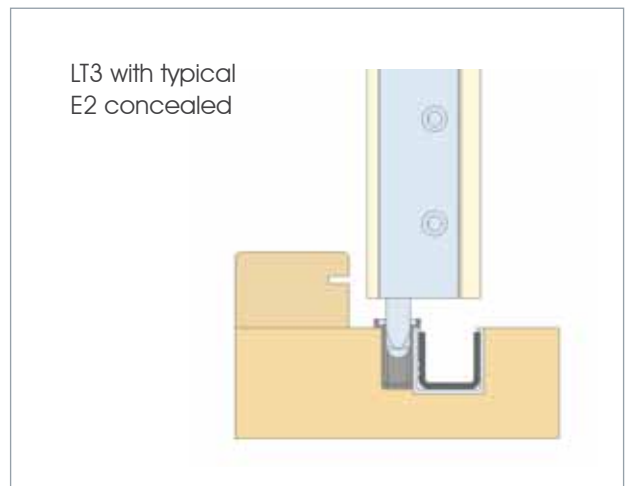
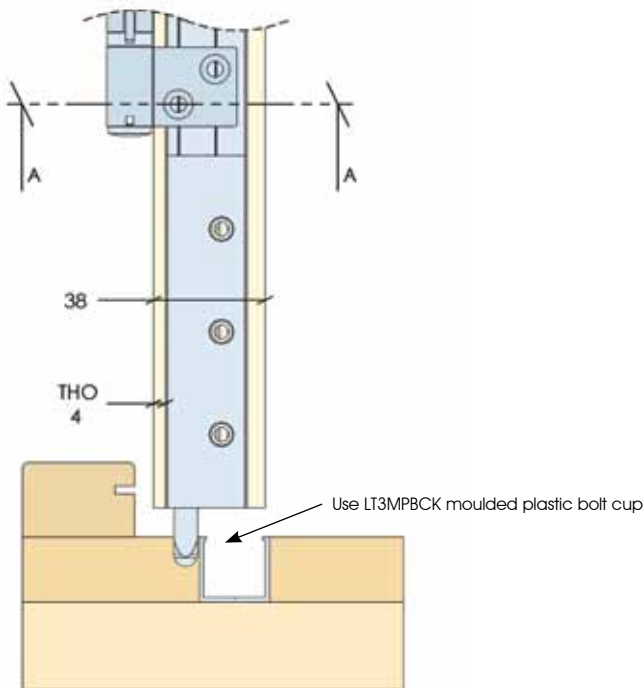


Use with LT2 kit

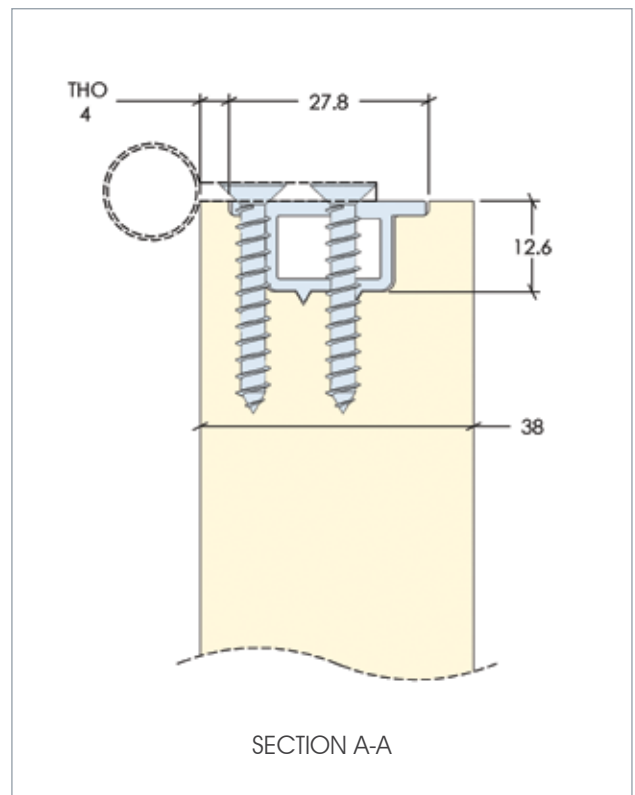
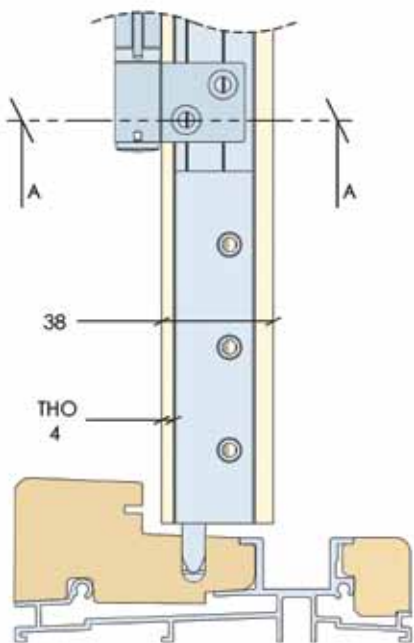
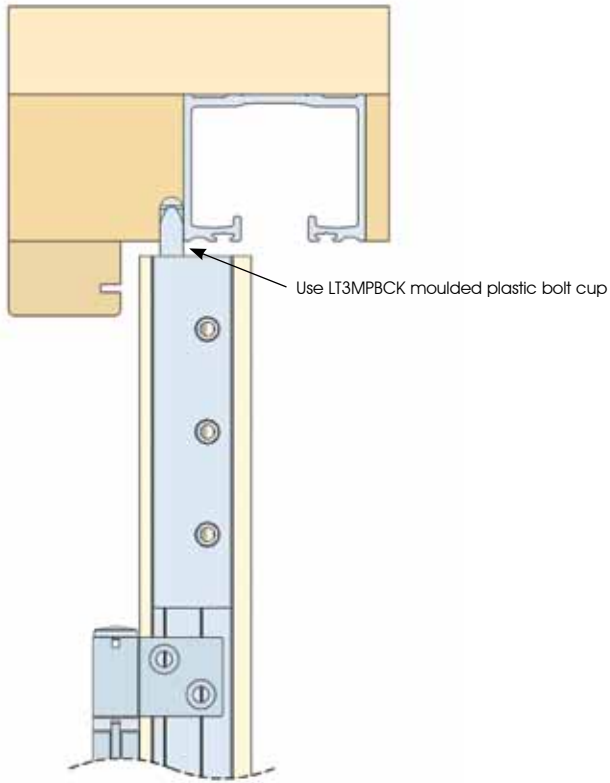
Architectural detail – Centor E3
 38mm timber panels shown with E3TA and E22FCR



Use with LT3 kit



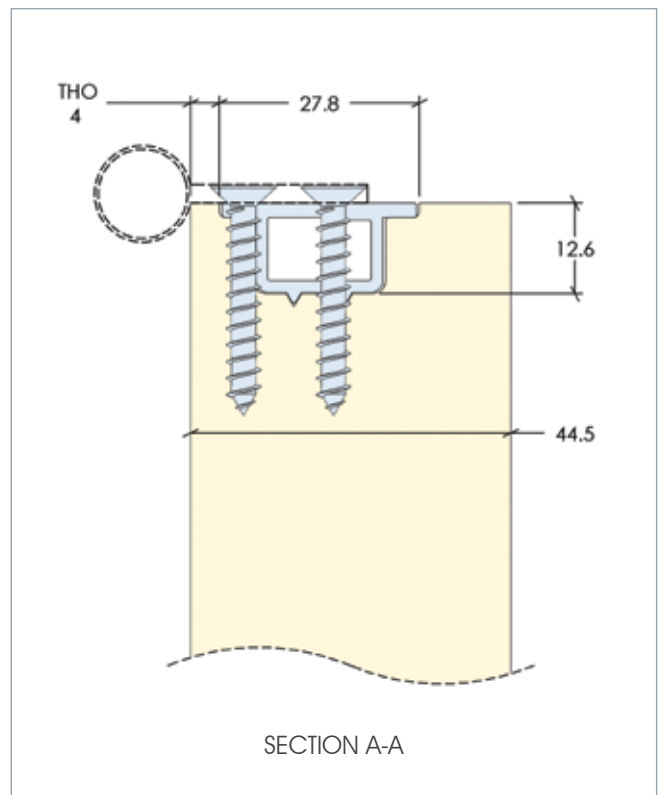
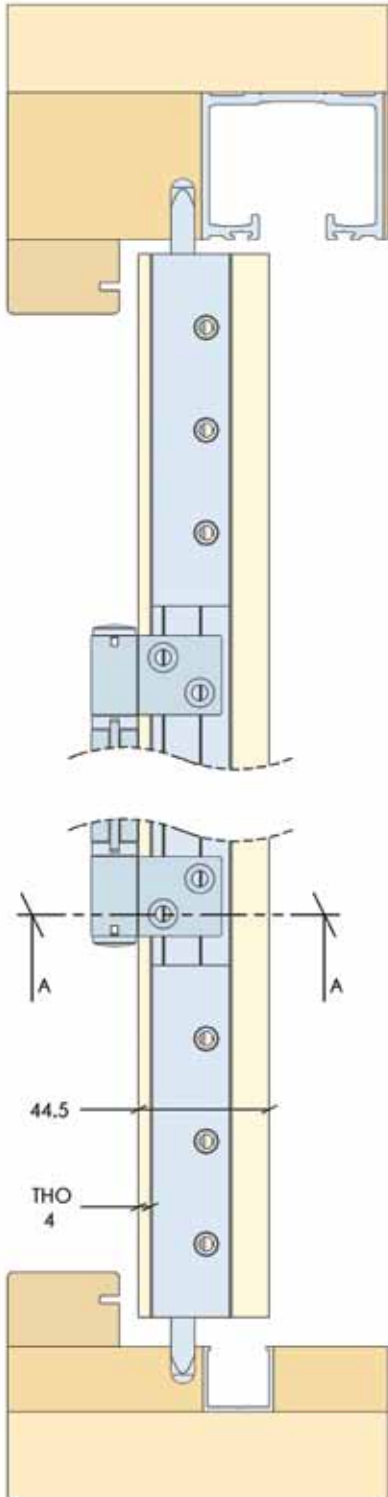
Architectural detail – Centor E3
38mm timber panels shown with E3TA and E2IS



Use with LT2 kit

Architectural detail – Centor E3

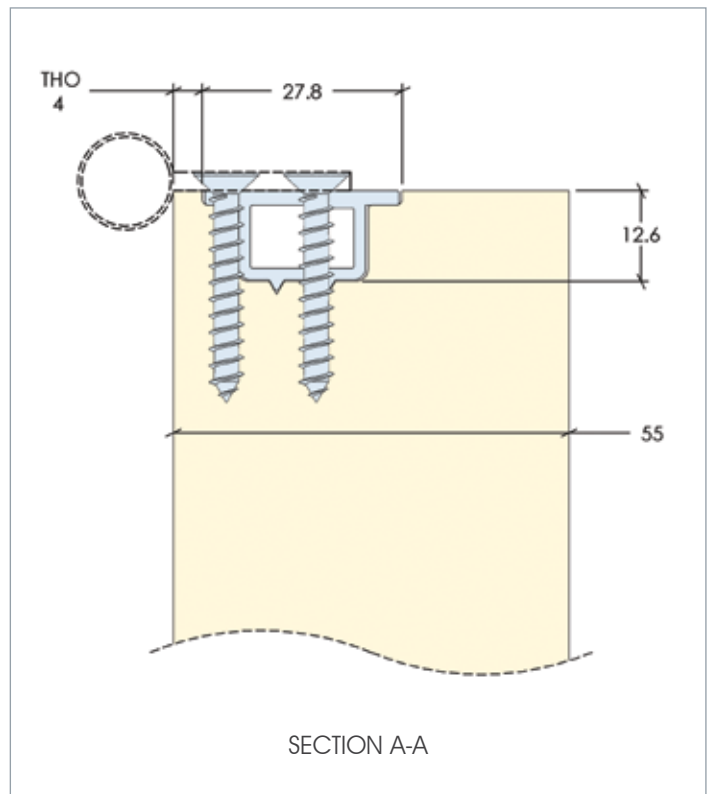
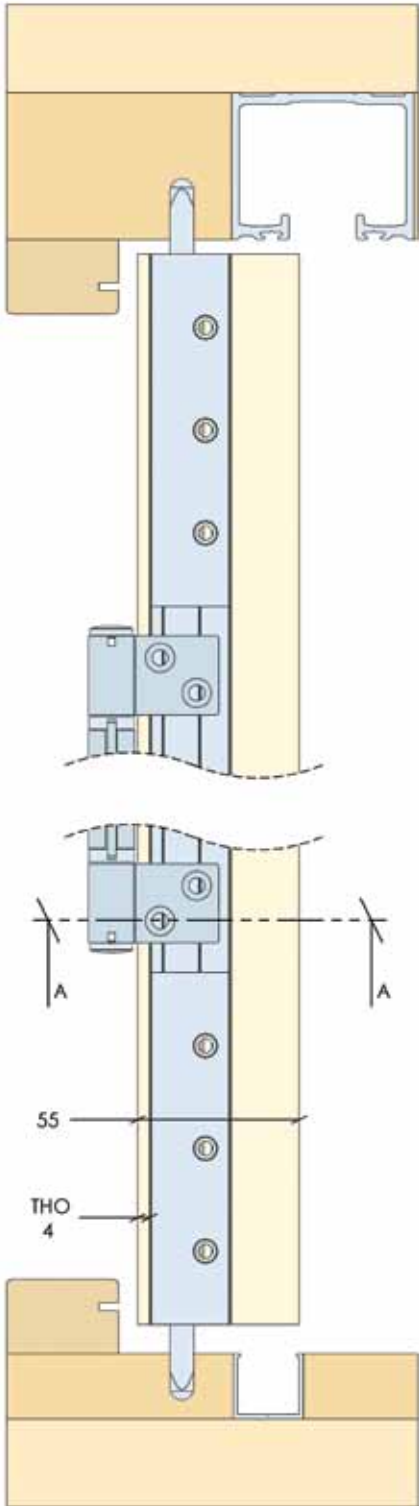
45mm timber panels shown with E3TA and E22FCR



Use with LT2 kit

Architectural detail – Centor E3

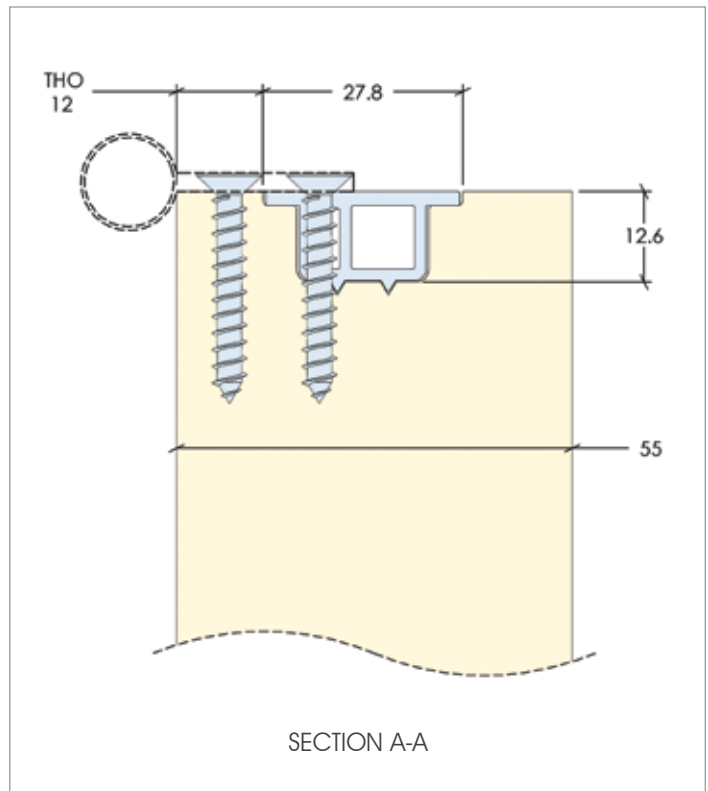
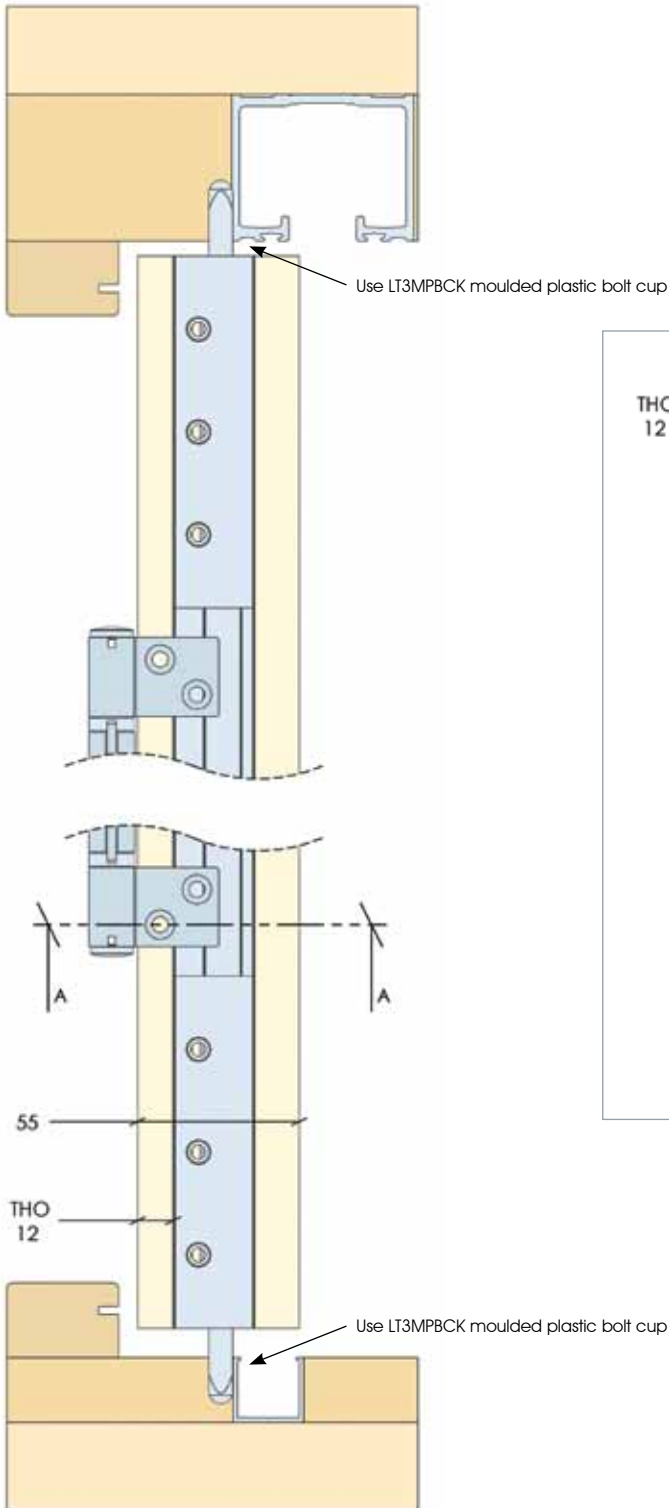
55mm timber panels shown with E3TA and E22FCR



Use with LT2 kit

Architectural detail – Centor E3

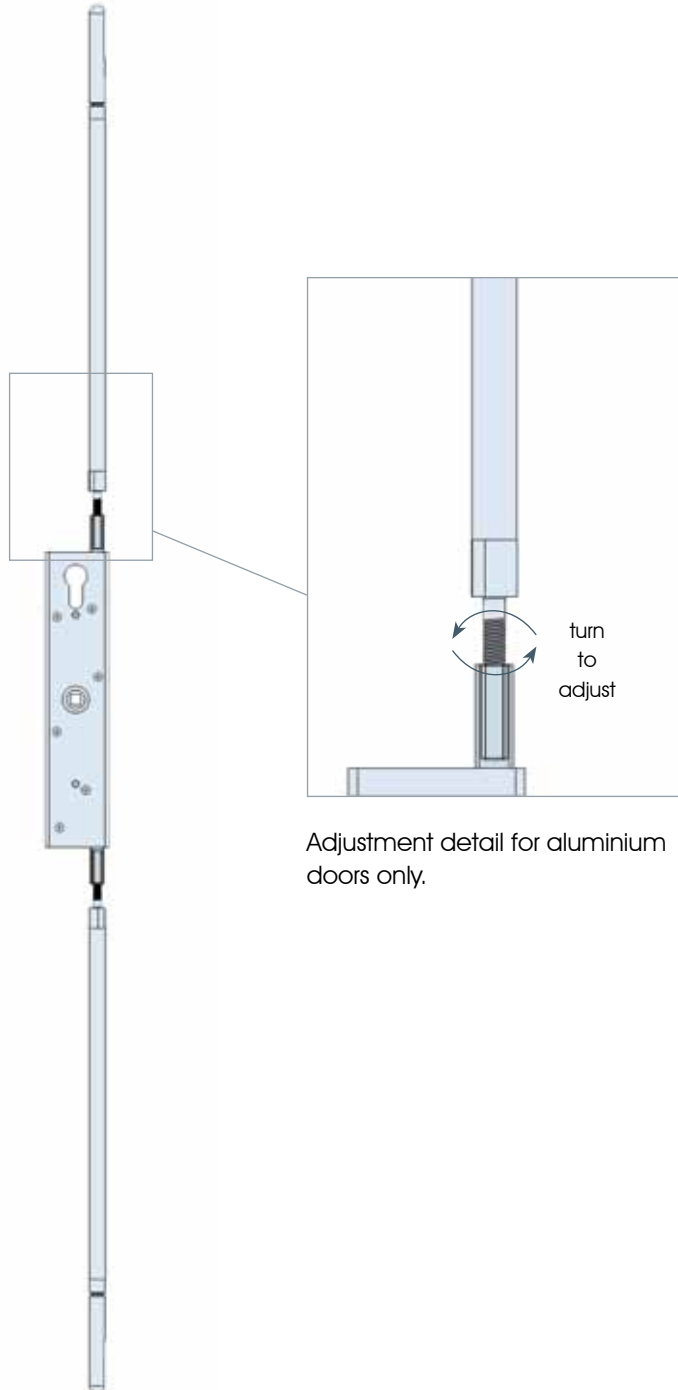
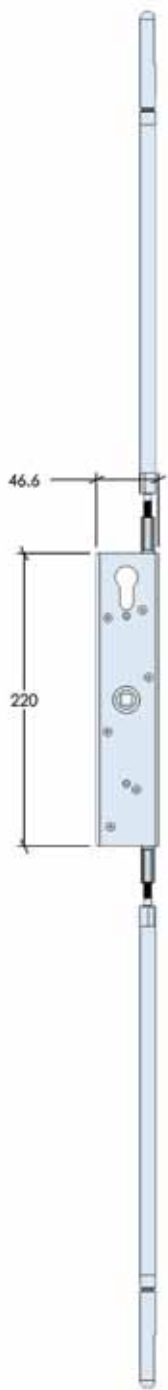
55mm timber panels shown with E3TA and E22FCR



Use with LT2 kit

Product details – aluminium panels

For aluminium doors, the door stile will determine how the LA Twinpoint lock is installed. Please contact Centor on 1300 CENTOR (1300 236 867) for further details. See page 7 for door furniture dimensions.





Adjustment detail for aluminium doors only.

Component selection

The Centor Twinpoint is available for both timber (LT) and aluminium (LA) panels. To construct the Centor Twinpoint, select from the following options:



1. Gearbox – locking or non-locking
2. Transmission rods – max panel height 2100, 2400, 2700, 3000mm or custom handle height
Anodised finishes – brushed metallic or black
3. Door handle – *stainless steel*: brushed or PVD brass
aluminium: satin metallic, bronze, white, black or custom powdercoat
4. Cylinder – 3 pin or 5 pin (5 pin supplied by others)
finishes: brushed nickel or polished brass

Door furniture – stainless steel

PARTS	PRODUCT CODE	DESCRIPTION
	DF4SHKSS	swing handle, keyed, stainless steel
	DF4SHKSTG*	swing handle, keyed, PVD brass
	DF4SHNSS	swing handle, non-keyed, stainless steel
	DF4SHNSTG*	swing handle, non-keyed, PVD brass

* Longer lead times apply. Contact Centor customer services for details.


Door furniture – aluminium

PARTS	PRODUCT CODE	DESCRIPTION
	DF3SHKAPCN	swing handle, keyed, satin metallic powdercoat
	DF3SHKAQ	swing handle, keyed, bronze powdercoat
	DF3SHKAW	swing handle, keyed, white powdercoat
	DF3SHKAL	swing handle, keyed, black powdercoat
	DF3SHKPC*	swing handle, keyed, custom powdercoat
	DF3SHNAPCN	swing handle, non-keyed, satin metallic powdercoat
	DF3SHNAQ	swing handle, non-keyed, bronze powdercoat
	DF3SHNAW	swing handle, non-keyed, white powdercoat
	DF3SHNAL	swing handle, non-keyed, black powdercoat
	DF3SHNPC*	swing handle, non-keyed, custom powdercoat


* Longer lead times apply. Contact Centor customer services for details.

Component selection


Key cylinder – 3 pin

PARTS	PRODUCT CODE	DESCRIPTION
	L1KCEC43PBN	lock key cylinder Euro C4 3 pin, brushed nickle
	L1KCEC43PPB	lock key cylinder Euro C4 3 pin, polished brass


Router bit for timber doors

PARTS	PRODUCT CODE	DESCRIPTION
	LT2RB	router bit

Bolt Cup

PARTS	PRODUCT CODE	DESCRIPTION
	LTBC8SS	8mm blot cup, stainless steel
	LTBC8STG	8mm blot cup, PVD brass
	LTBC8SOL	8mm blot cup, PVD bronze


Bolt Cup

PARTS	PRODUCT CODE	DESCRIPTION
	LT3MPBCK	moulded plastic bolt cup kit for LT3

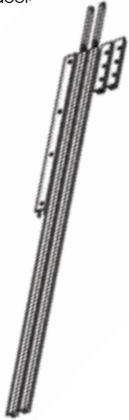
Component selection

LT Twinpoint lock for timber doors – gearbox and transmission rods


Gearbox

PARTS	PRODUCT CODE	DESCRIPTION
for timber doors 	LT2KS	gearbox to suit timber doors, keyed, stainless steel
	LT2NS	gearbox to suit timber doors, non-keyed, stainless steel

Transmission rods, keyed – LT2

PARTS	PRODUCT CODE	DESCRIPTION
for timber door 	LT2TRSK1021X	transmission rod set, keyed, 1020mm handle height, 2100mm panel height, brushed metallic
	LT2TRSK1021Y	transmission rod set, keyed, 1020mm handle height, 2100mm panel height, black anodised
	LT2TRSK1024X	transmission rod set, keyed, 1020mm handle height, 2400mm panel height, brushed metallic
	LT2TRSK1024Y	transmission rod set, keyed, 1020mm handle height, 2400mm panel height, black anodised
	LT2TRSK1027X	transmission rod set, keyed, 1020mm handle height, 2700mm panel height, brushed metallic
	LT2TRSK1027Y	transmission rod set, keyed, 1020mm handle height, 2700mm panel height, black anodised
	LT2TRSK1030X	transmission rod set, keyed, 1020mm handle height, 3000mm panel height, brushed metallic
	LT2TRSK1030Y	transmission rod set, keyed, 1020mm handle height, 3000mm panel height, black anodised
	LT2TRSKCX	transmission rod set, keyed, custom handle height, brushed metallic
	LT2TRSKCY	transmission rod set, keyed, custom handle height, black anodised

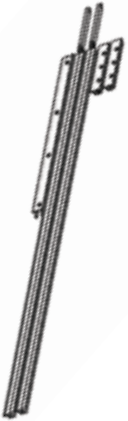
Transmission rods, non-keyed – LT2

PARTS	PRODUCT CODE	DESCRIPTION
for timber doors 	LT2TRSN1030X	transmission rod set, non-keyed, 1020mm handle height, 3000mm panel height, brushed metallic
	LT2TRSN1030Y	transmission rod set, non-keyed, 1020mm handle height, 3000mm panel height, black anodised
	LT2TRSNCX	transmission rod set, non-keyed, custom handle height, brushed metallic
	LT2TRSNCY	transmission rod set, non-keyed, custom handle height, black anodised


Component selection

LT Twinpoint lock for timber doors – transmission rods

Transmission rods, keyed – LT3

PARTS	PRODUCT CODE	DESCRIPTION
for timber doors 	LT3TRSK1021X	offset transmission rod set, keyed, 1020mm handle height, 2100mm panel, brushed metallic
	LT3TRSK1021Y	offset transmission rod set, keyed, 1020mm handle height, 2100mm panel, black anodised
	LT3TRSK1024X	offset transmission rod set, keyed, 1020mm handle height, 2400mm panel, brushed metallic
	LT3TRSK1024Y	offset transmission rod set, keyed, 1020mm handle height, 2400mm panel, black anodised
	LT3TRSK1027X	offset transmission rod set, keyed, 1020mm handle height, 2700mm panel, brushed metallic
	LT3TRSK1027Y	offset transmission rod set, keyed, 1020mm handle height, 2700mm panel, black anodised
	LT3TRSK1030X	offset transmission rod set, keyed, 1020mm handle height, 3000mm panel, brushed metallic
	LT3TRSK1030Y	offset transmission rod set, keyed, 1020mm handle height, 3000mm panel, black anodised
	LT3TRSKCX	offset transmission rod set, keyed, custom handle height, brushed metallic
	LT3TRSKCY	offset transmission rod set, keyed, custom handle height, black anodised


Transmission rods, non-keyed – LT3

PARTS	PRODUCT CODE	DESCRIPTION
for timber doors 	LT3TRSN1030X	offset transmission rod set, non-keyed, 1020mm handle height, 3000mm panel, brushed metallic
	LT3TRSN1030Y	offset transmission rod set, non-keyed, 1020mm handle height, 3000mm panel, black anodised
	LT3TRSNCX	offset transmission rod set, non-keyed, custom handle height, brushed metallic
	LT3TRSNCY	offset transmission rod set, non-keyed, custom handle height, black anodised


Component selection

LA Twinpoint lock for aluminium doors – gearbox and transmission rods

Gearbox

PARTS	PRODUCT CODE	DESCRIPTION
for aluminium doors 	LA1KS	gearbox for aluminium doors, keyed, stainless steel
	LA1NS	gearbox for aluminium doors, non-keyed, stainless steel

Transmission rods – keyed or non-keyed

PARTS	PRODUCT CODE	DESCRIPTION
for aluminium doors 	LA1TRS1021	transmission rod set, 1020mm handle height, 2150mm panel height
	LA1TRS1024	transmission rod set, 1020mm handle height, 2450mm panel height
	LA1TRS1027	transmission rod set, 1020mm handle height, 2750mm panel height
	LA1TRS1030	transmission rod set, 1020mm handle height, 3050mm panel height
	LA1TRSC	transmission rod set, custom handle height

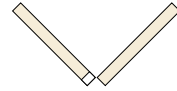
Common panel layouts with Twinpoint lock

HARDWARE LEGEND

PS pivot set	HHS half offset hinge set
WPS wall pivot set	HS hinge set (flat)
ICS intermediate carrier set	EH external handle
LCS left carrier set	TL twinpoint lock
RCS right carrier set	

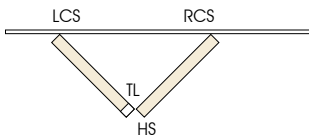
LEGEND

Twinpoint Lock



Note > Wall Pivot Set recommended for doors over 1500mm high and required for doors over 2250mm.

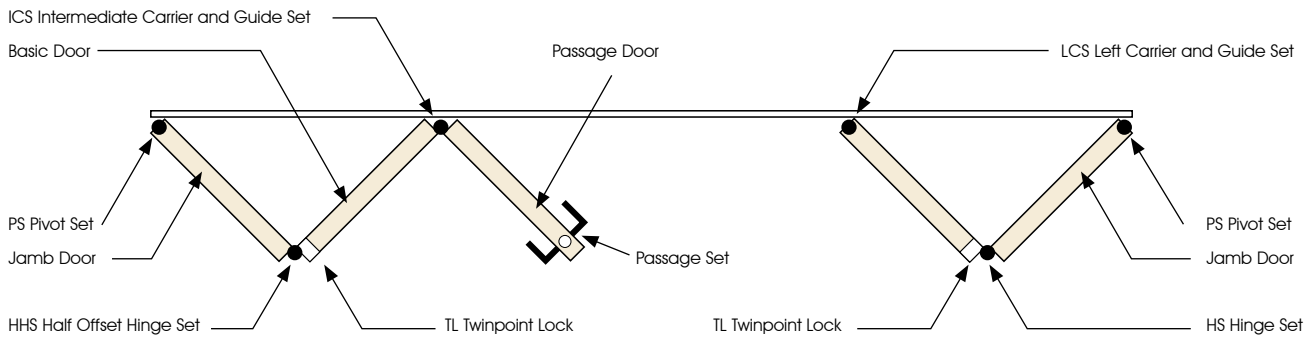
FLOATING DOOR PAIRS



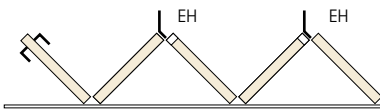
Per pair of doors

- 1 x left carrier set
- 1 x right carrier set
- 1 x hinge set
- 1 x twinpoint lock

HARDWARE APPLICATION (3L2R)



INWARD APPLICATION EXTERIOR HANDLE OPTION



Use one exterior handle on each pair of doors (inward system) to pull open and close doors

Common panel layouts

Any panel combination up to 8 in each direction is possible

CODE	OPENING CONFIGURATION	HARDWARE
2L		1 x pivot set (PS) 1 x wall pivot set* (WPS) 1 x right carrier set (RCS) 1 x hinge set (HS) 1 x twinpoint lock (TL)
2L1R		2 x pivot set (PS) 2 x wall pivot set* (WPS) 1 x right carrier set (RCS) 1 x hinge set (HS) 1 x twinpoint lock (TL)
3L		1 x pivot set (PS) 1 x wall pivot set* (WPS) 1 x intermediate carrier set (ICS) 1 x half offset hinge set (HHS) 1 x twinpoint lock (TL)
3L1R		2 x pivot set (PS) 2 x wall pivot set* (WPS) 1 x intermediate carrier set (ICS) 1 x half offset hinge set (HHS) 1 x twinpoint lock (TL)
4L		1 x pivot set (PS) 1 x wall pivot set* (WPS) 1 x intermediate carrier set (ICS) 1 x right carrier set (RCS) 2 x half offset hinge set (HHS) 2 x twinpoint lock (TL)
4L1R		2 x pivot set (PS) 2 x wall pivot set* (WPS) 1 x intermediate carrier set (ICS) 1 x right carrier set (RCS) 2 x half offset hinge set 2 x twinpoint lock (TL)
3L2R		2 x pivot set (PS) 2 x wall pivot set* (WPS) 1 x intermediate carrier set (ICS) 1 x left carrier set 1 x hinge set (HS) 1 x half offset hinge set (HHS) 2 x twinpoint lock (TL)
5L		1 x pivot set (PS) 1 x wall pivot set* (WPS) 2 x intermediate carrier set (ICS) 1 x hinge set (HS) 1 x half offset hinge set (HHS) 2 x twinpoint lock (TL)
3L3R		2 x pivot set (PS) 2 x wall pivot set* (WPS) 2 x intermediate carrier set (ICS) 2 x half offset hinge set (HHS) 2 x twinpoint lock (TL)
7L		1 x pivot set (PS) 1 x wall pivot set* (WPS) 3 x intermediate carrier set (ICS) 2 x hinge set (HS) 1 x half offset hinge set (HHS) 3 x twinpoint lock (TL)
4L3R		2 x pivot set (PS) 2 x wall pivot set* (WPS) 2 x intermediate carrier set (ICS) 1 x right carrier set (RCS) 3 x half offset hinge set (HHS) 3 x twinpoint lock (TL)
5L2R		2 x pivot set (PS) 2 x wall pivot set* (WPS) 2 x intermediate carrier set (ICS) 1 x left carrier set 2 x hinge set (HS) 1 x half offset hinge set (HHS) 3 x twinpoint lock (TL)
5L3R		2 x pivot set (PS) 2 x wall pivot set* (WPS) 3 x intermediate carrier set (ICS) 1 x hinge set (HS) 2 x half offset hinge set (HHS) 3 x twinpoint lock (TL)

* Wall Pivot Set recommended for doors over 2250mm

Common panel layouts

Any panel combination up to 8 in each direction is possible

CODE	OPENING CONFIGURATION	HARDWARE
2R	<p>inside PS, WPS not accessible from exterior</p> <p>outside LCS</p>	1 x pivot set (PS) 1 x wall pivot set* (WPS) 1 x left carrier set (LCS) 1 x hinge set (HS) 1 x twinpoint lock (TL)
1L2R	<p>inside WPS, PS</p> <p>outside LCS</p>	2 x pivot set (PS) 2 x wall pivot set* (WPS) 1 x left carrier set (LCS) 1 x hinge set (HS) 1 x twinpoint lock (TL)
3R	<p>inside ICS WPS, PS</p> <p>outside TL</p>	1 x pivot set (PS) 1 x wall pivot set* (WPS) 1 x intermediate carrier set (ICS) 1 x half offset hinge set (HHS) 1 x twinpoint lock (TL)
1L3R	<p>inside WPS, PS ICS WPS, PS</p> <p>outside TL</p>	2 x pivot set (PS) 1 x wall pivot set* (WPS) 1 x intermediate carrier set (ICS) 1 x half offset hinge set (HHS) 1 x twinpoint lock (TL)
2L2R	<p>inside WPS, PS RCS LCS WPS, PS not accessible from exterior</p> <p>outside HS TL</p>	2 x pivot set (PS) 2 x wall pivot set* (WPS) 1 x right carrier set (RCS) 1 x left carrier set (LCS) 2 x hinge set (HS) 2 x twinpoint lock (TL)
1L4R	<p>inside WPS, PS LCS ICS WPS, PS</p> <p>outside HHS TL</p>	2 x pivot set (PS) 2 x wall pivot set* (WPS) 1 x intermediate carrier set (ICS) 1 x left carrier set (LCS) 2 x half offset hinge set (HHS) 2 x twinpoint lock (TL)
4R	<p>inside LCS ICS WPS, PS</p> <p>outside HHS TL</p>	1 x pivot set (PS) 1 x wall pivot set* (WPS) 1 x intermediate carrier set (ICS) 1 x left carrier set (LCS) 2 x half offset hinge set (HHS) 2 x twinpoint lock (TL)
2L3R	<p>inside WPS, PS RCS ICS WPS, PS</p> <p>outside HS TL</p>	2 x pivot set (PS) 2 x wall pivot set* (WPS) 1 x intermediate carrier set (ICS) 1 x right carrier set (RCS) 1 x hinge set (HS) 1 x half offset hinge set (HHS) 2 x twinpoint lock (TL)
5R	<p>inside ICS ICS WPS, PS</p> <p>outside HS TL</p>	1 x pivot set (PS) 1 x wall pivot set* (WPS) 2 x intermediate carrier set (ICS) 1 x hinge set (HS) 1 x half offset hinge set (HHS) 2 x twinpoint lock (TL)
3L4R	<p>inside WPS, PS ICS LCS ICS WPS, PS</p> <p>outside TL HHS</p>	2 x pivot set (PS) 2 x wall pivot set* (WPS) 2 x intermediate carrier set (ICS) 1 x left carrier set (LCS) 3 x half offset hinge set (HHS) 3 x twinpoint lock (TL)
7R	<p>inside ICS ICS ICS WPS, PS</p> <p>outside HS TL</p>	1 x pivot set (PS) 1 x wall pivot set* (WPS) 3 x intermediate carrier set (ICS) 2 x hinge set (HS) 1 x half offset hinge set (HHS) 3 x twinpoint lock (TL)
2L5R	<p>inside WPS, PS RCS ICS ICS WPS, PS</p> <p>outside HS TL</p>	2 x pivot set (PS) 2 x wall pivot set* (WPS) 2 x intermediate carrier set (ICS) 1 x right carrier set (RCS) 2 x hinge set (HS) 1 x half offset hinge set (HHS) 3 x twinpoint lock (TL)
8R	<p>inside LCS ICS ICS ICS WPS, PS</p> <p>outside HHS TL not accessible from exterior</p>	1 x pivot set (PS) 1 x wall pivot set* (WPS) 3 x intermediate carrier set (ICS) 1 x left carrier set (LCS) 2 x hinge set (HS) 2 x half offset hinge set (HHS) 4 x twinpoint lock (TL)

* Wall Pivot Set recommended for doors over 2250mm

While every effort has been made to ensure the accuracy of the information in this publication, Centor assume no responsibility for errors or omissions or any consequences of reliance solely on this publication.



centor

Centor Australia Pty Ltd | ABN 96 009 716 189

telephone 1300 CENTOR (1300 236 867)

facsimile 1300 CENFAX (1300 236 329)

mail@centor.com.au | www.centor.com.au

Brisbane

Centor Australia Pty Ltd

997 Kingsford Smith Drive
PO Box 1550
Eagle Farm QLD 4009
telephone +61 7 3868 5777
facsimile +61 7 3868 1201
qld.mail@centor.com.au

Sydney

Centor Australia Pty Ltd

12-13/9 Kilto Crescent
Glendenning NSW 2761
telephone +61 2 9208 3200
facsimile +61 2 9625 2399
nsw.mail@centor.com.au

Melbourne

Centor Australia Pty Ltd

28 Keysborough Close
Keysborough VIC 3173
telephone +61 3 9709 0300
facsimile +61 3 9798 1645
vic.mail@centor.com.au

Adelaide

Centor Australia Pty Ltd

4/2 Endeavour Drive
PO Box 285
Port Adelaide SA 5015
telephone +61 8 8304 2577
facsimile +61 8 8304 2599
sa.mail@centor.com.au

Perth

Centor Australia Pty Ltd

2/34 Juna Drive
Malaga WA 6090
telephone +61 8 9241 7600
facsimile +61 8 9249 7445
wa.mail@centor.com.au

Launceston

Access Hardware Pty Ltd

42 Invermay Road
Mowbray Heights TAS 7248
telephone +61 3 6331 2533
facsimile +61 3 6331 2733
accesshw@bigpond.net.au

Hobart

Access Hardware Pty Ltd

21 Brisbane Street
Hobart TAS 7000
telephone +61 3 6231 9926
facsimile +61 3 6231 9927