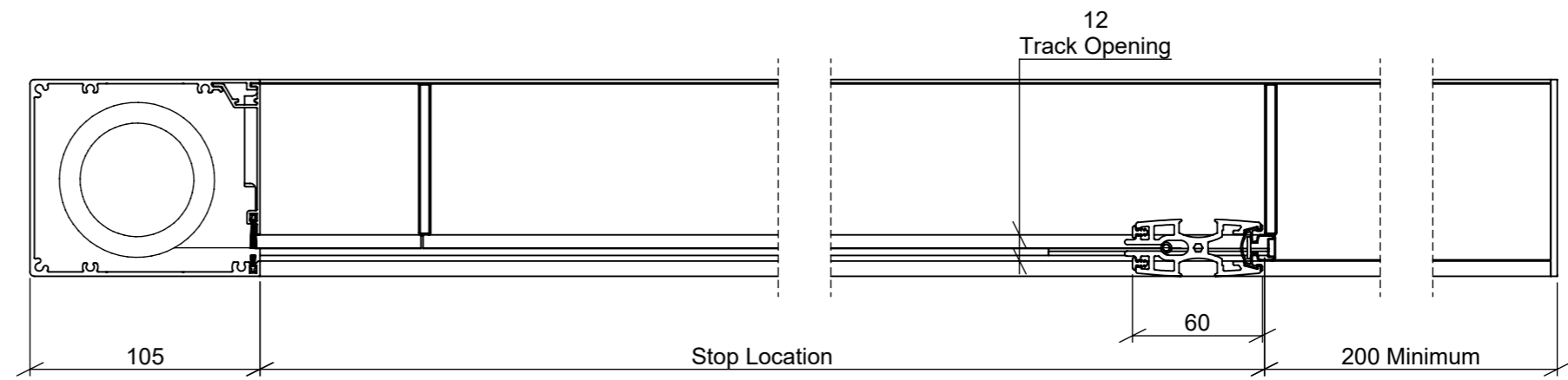
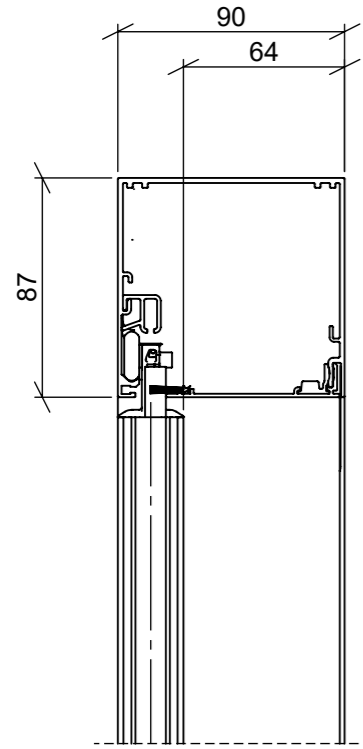


Custom Stop Location

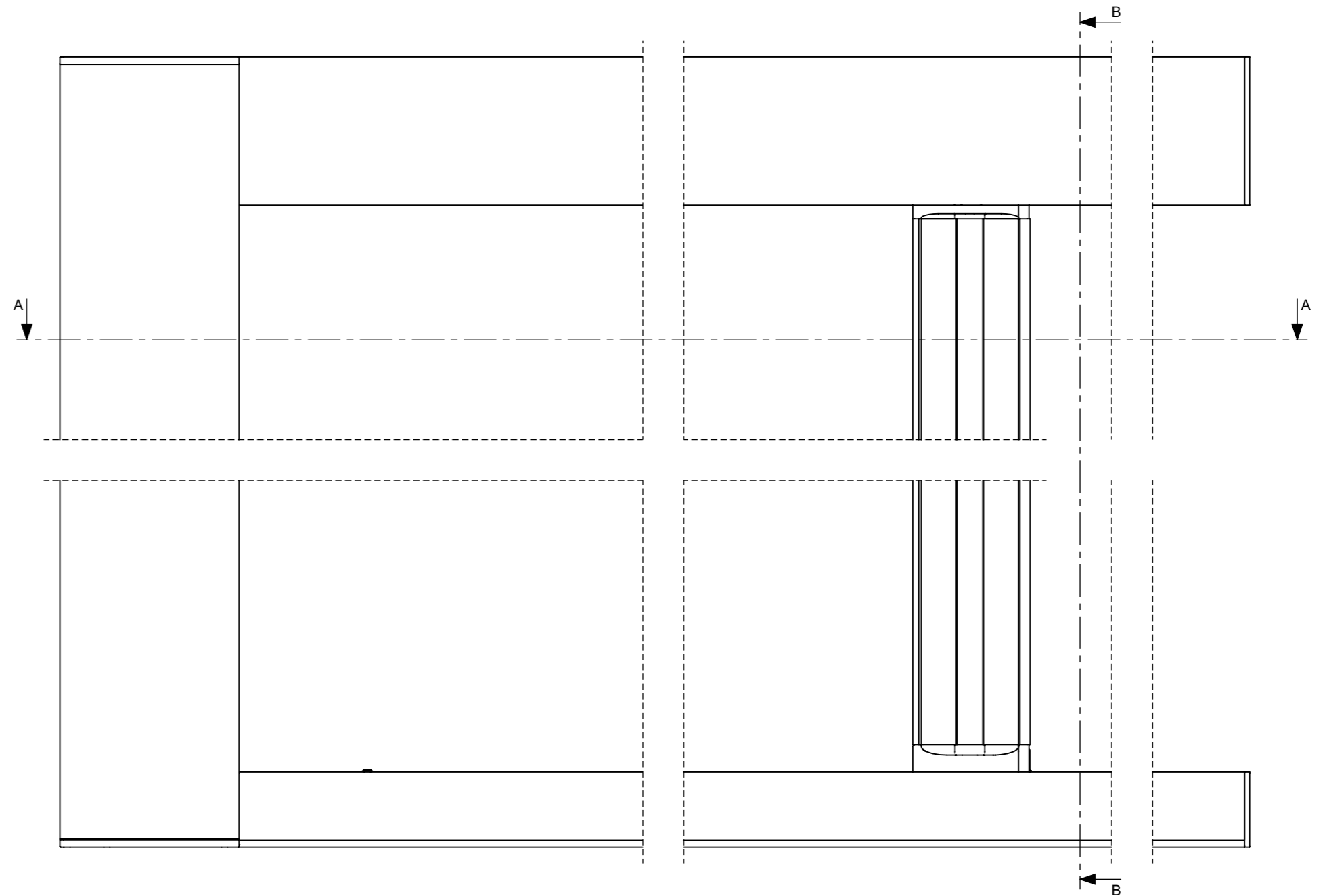
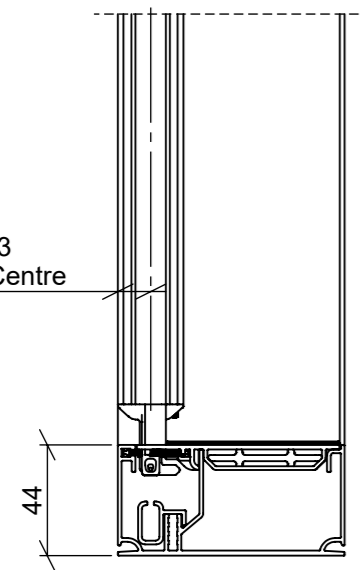


SECTION A-A

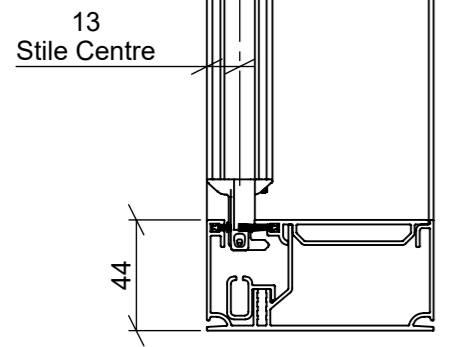
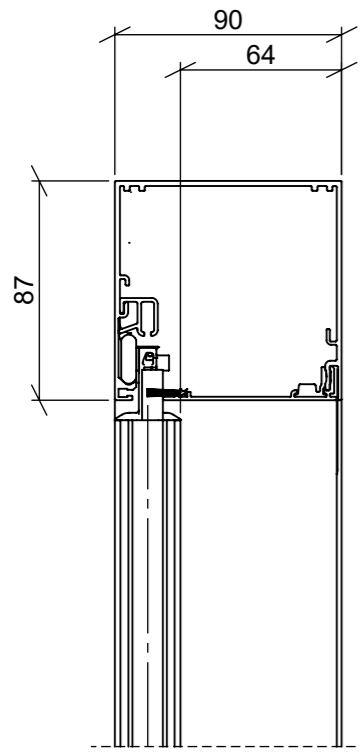
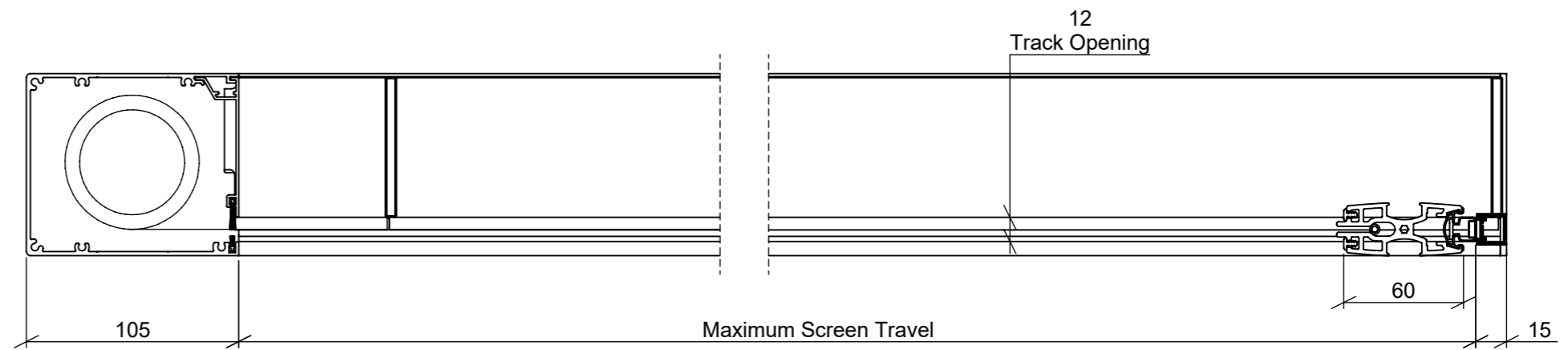


SECTION B-B

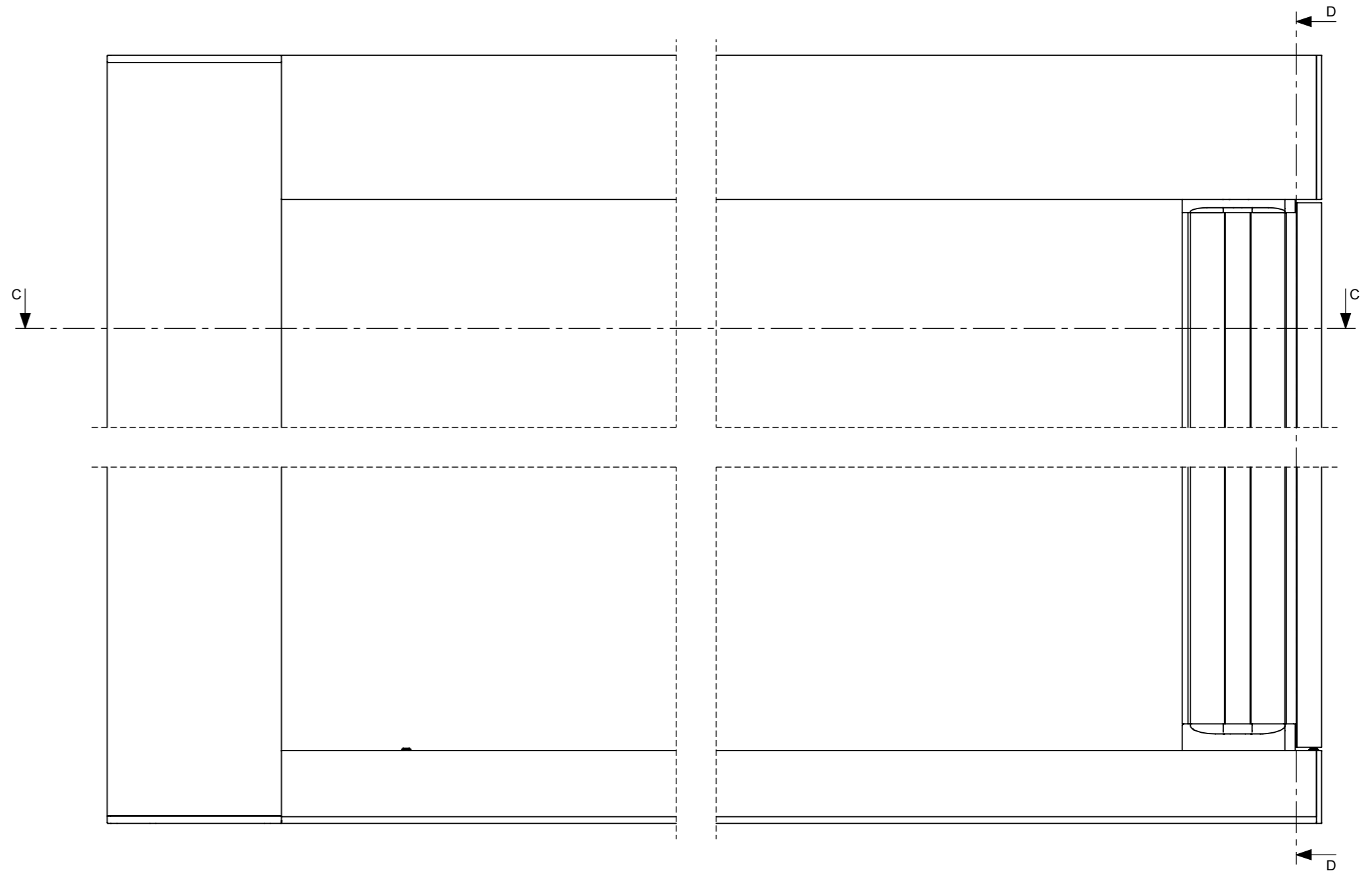
13
Stile Centre



Maximum Screen Travel

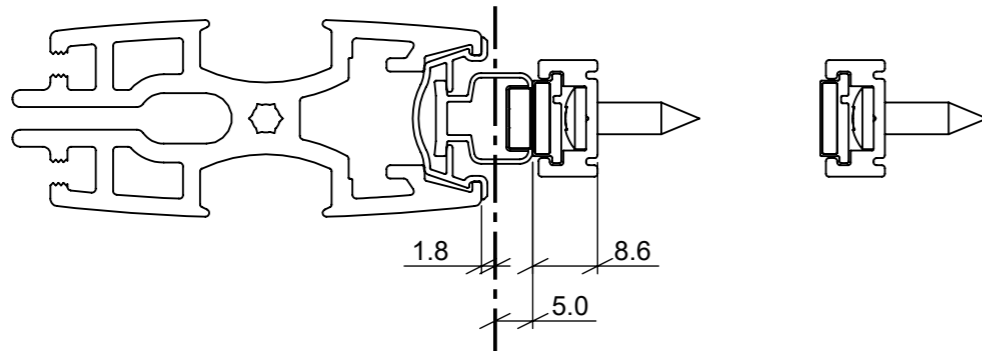


SECTION D-D

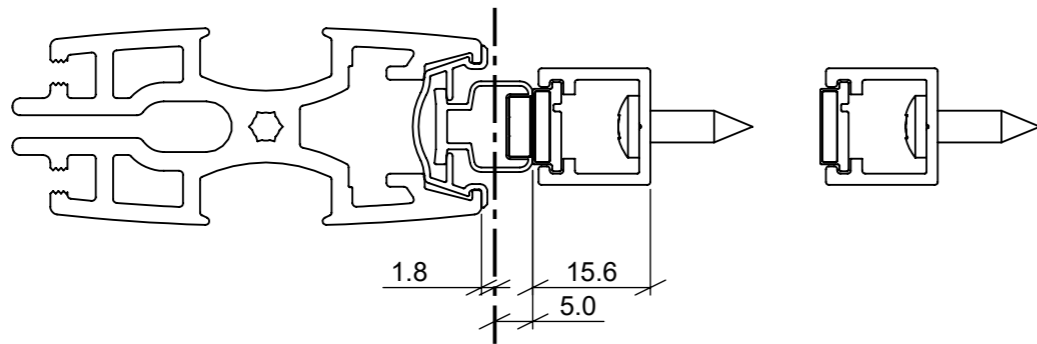


Stile options

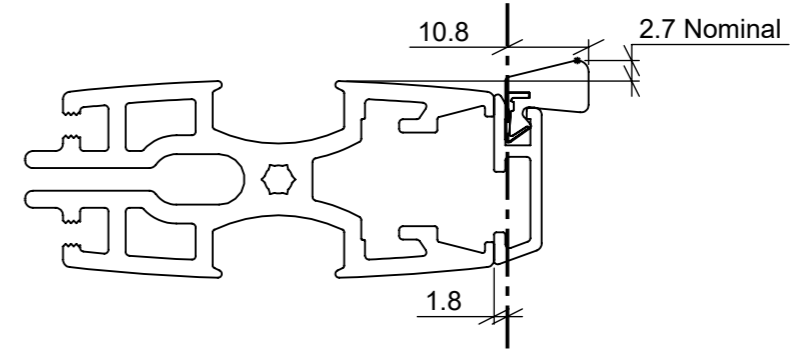
Straight magnet with 8mm adaptor



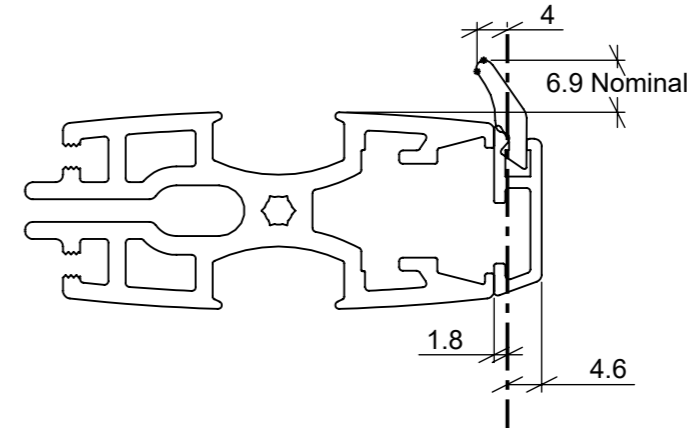
Straight magnet with 15mm adaptor



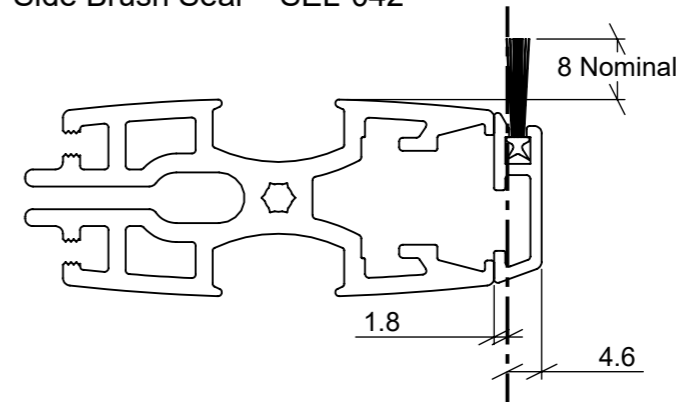
Off-Center Front Seal - AQ109



Side Q-Lon Seal - QL7066



Side Brush Seal - SEL-042



Note: -----

- 1) Nominal Stop Position shown. Screens with a custom stop location and without a frame joiner have a ± 25 mm adjustment.
- 2) To prevent damage, maximum travel screens must use the 15mm magnet adaptor.