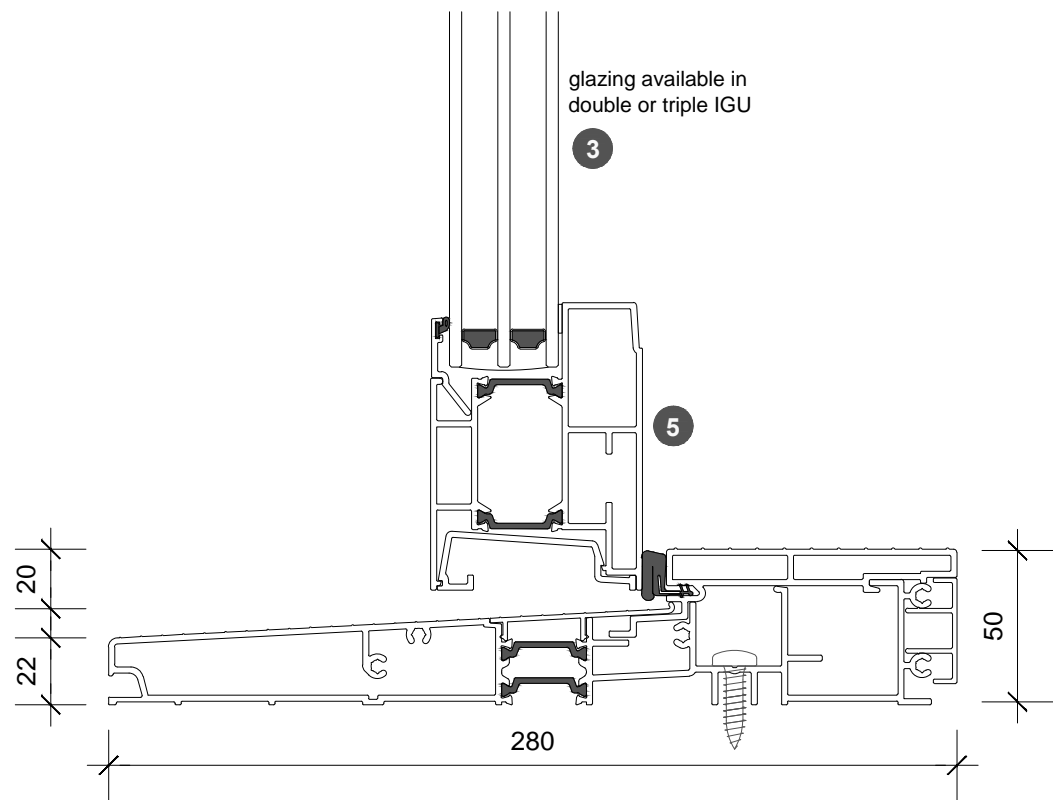
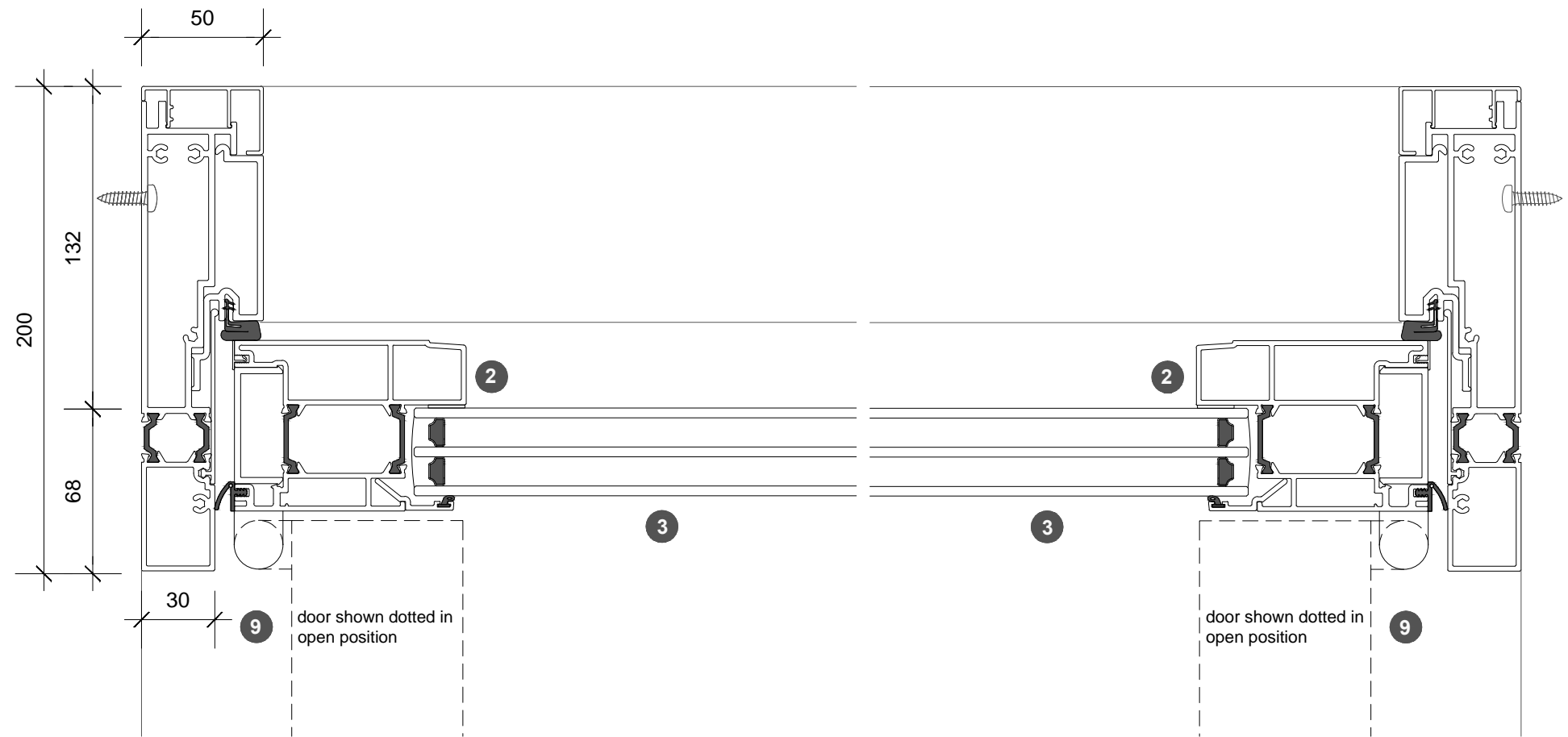


3. head detail

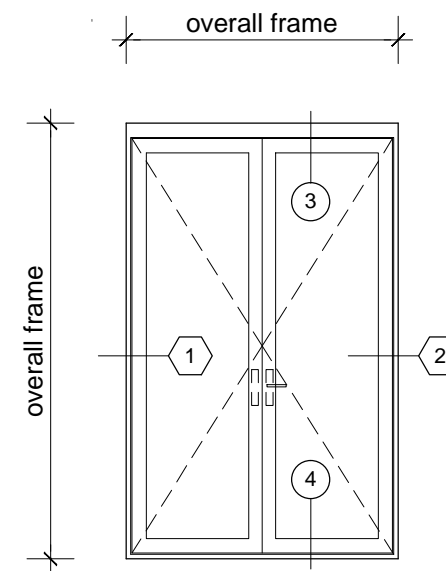


4. sill detail

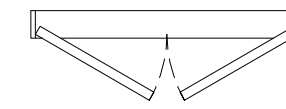


1. jamb detail

2. jamb detail



elevation key



plan key

	303 series
overall frame height	1987 - 2884
overall frame width	1224 - 2124
visible frame width	1224 - 2124
door panel height	1846 - 2743
door panel width	575 - 1000

- 1 screen/shade box
- 2 door panel stile
- 3 glazing
- 4 top rail
- 5 bottom rail
- 6 screen stile
- 7 screen/blind
- 8 lever handle
- 9 pivot

legend