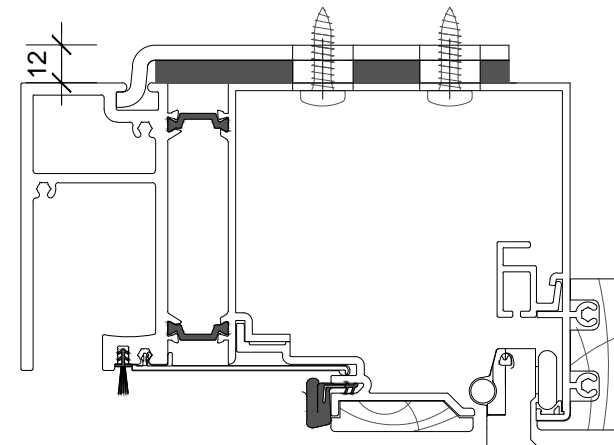
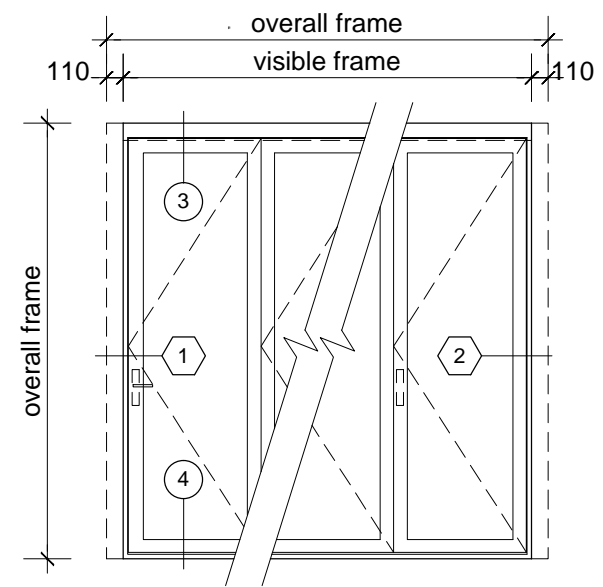


3. head detail



Head support bracket provided where fixing is inboard of the carrier track (folding doors only)
Door frames wider than 6000mm are supplied with a joiner to head and sill.

3a. head detail



elevation key

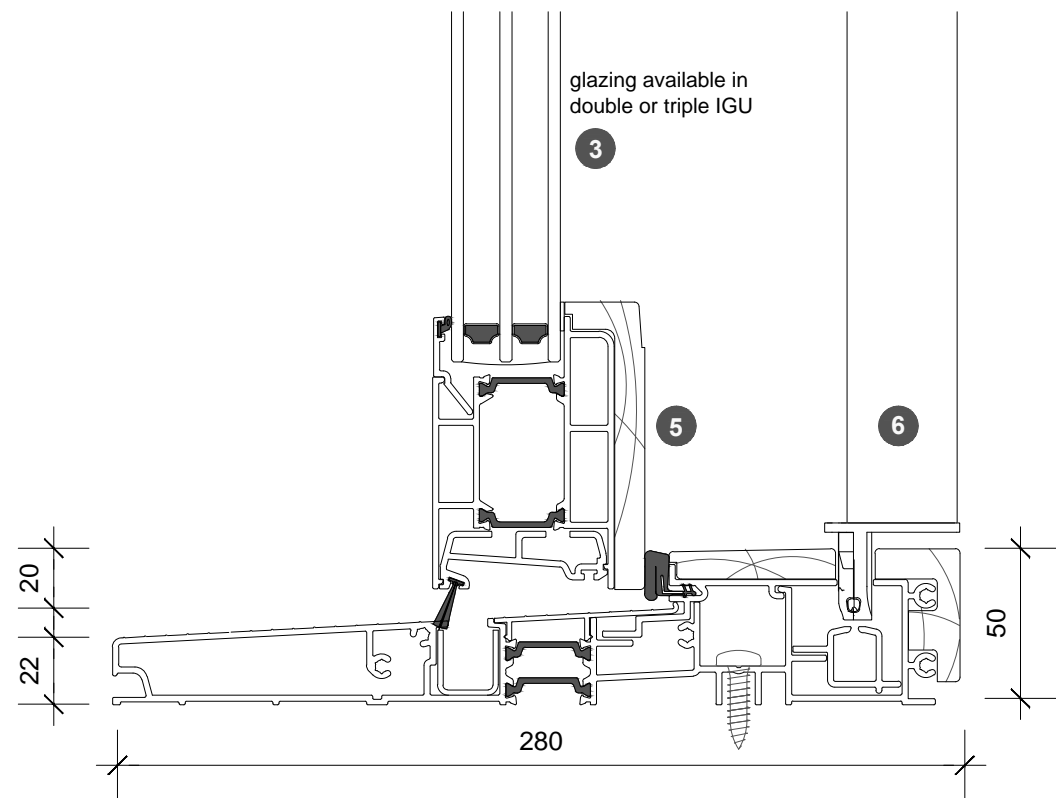
plan key

	205 series
overall frame height	1987 - 2884
overall frame width	1434 - 9434
visible frame width	1214 - 9214
door panel height	1846 - 2743
door panel width	575 - 1000

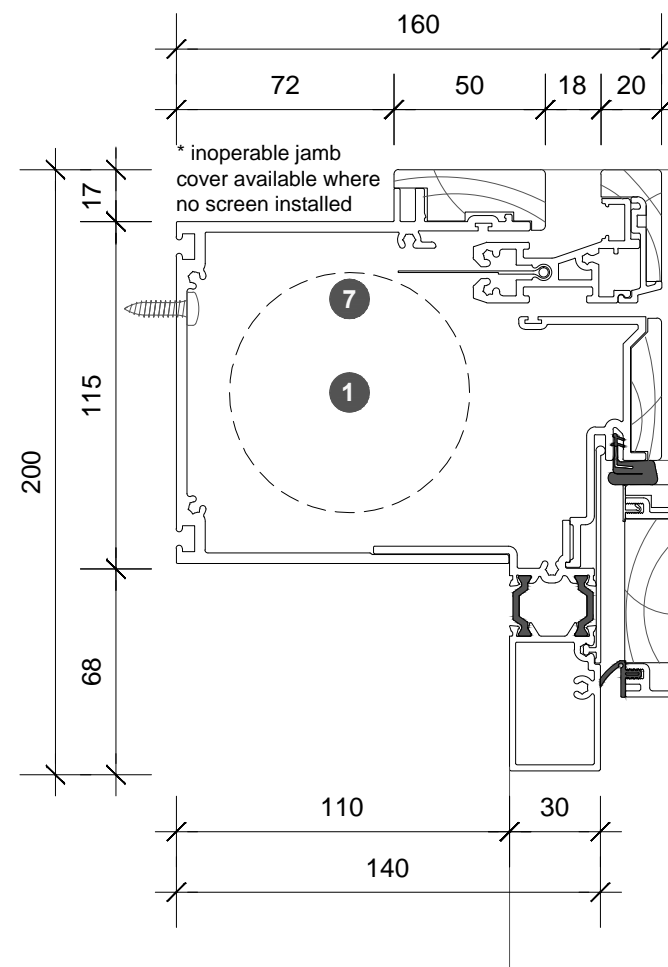
- | | |
|--------------------|----------------|
| 1 screen/shade box | 6 screen stile |
| 2 door panel stile | 7 screen/blind |
| 3 glazing | 8 lever handle |
| 4 top rail | 9 pivot |
| 5 bottom rail | |

Door frames up to 4877mm in width can be supplied with a different fabric type in each jamb box.
Door frames wider than 4877mm are only available with a single fabric type.

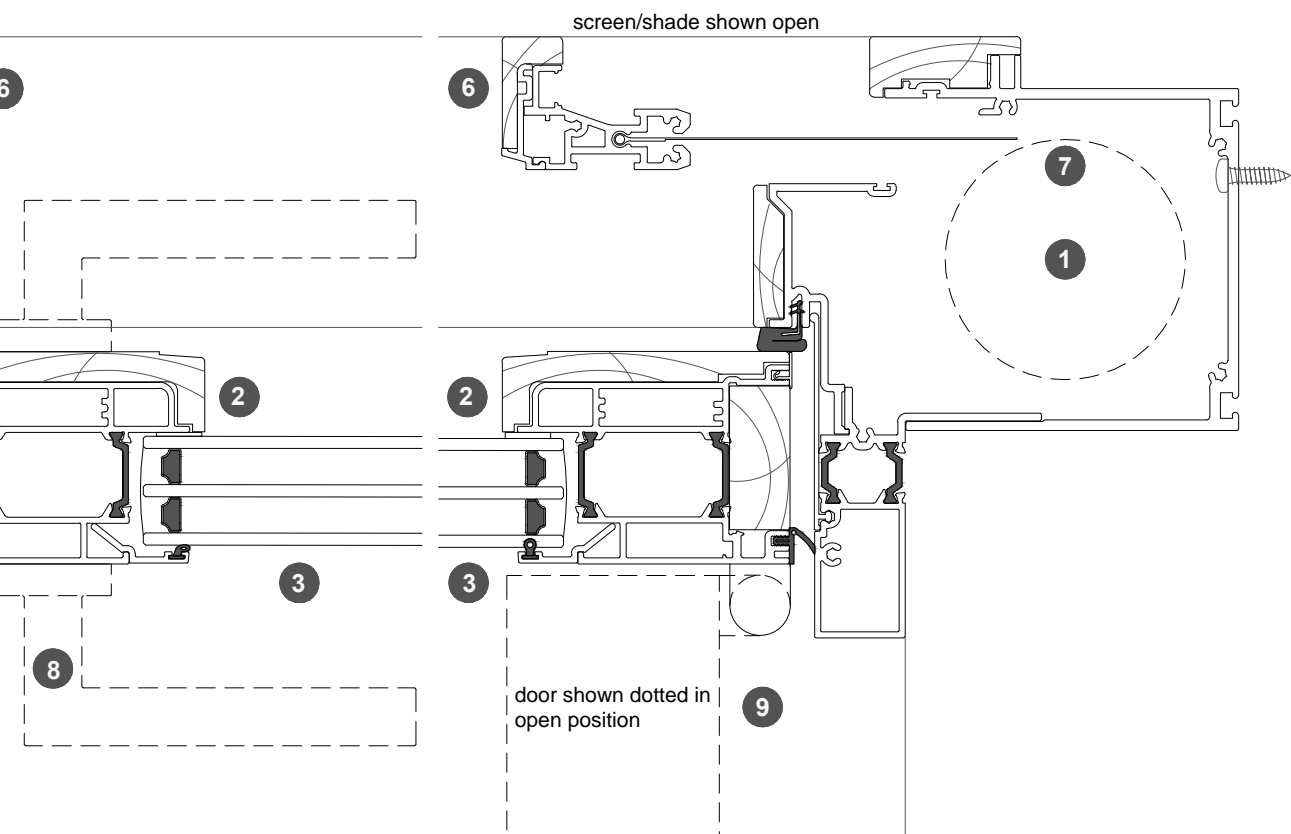
legend



4. sill detail



1. jamb detail



2. jamb detail