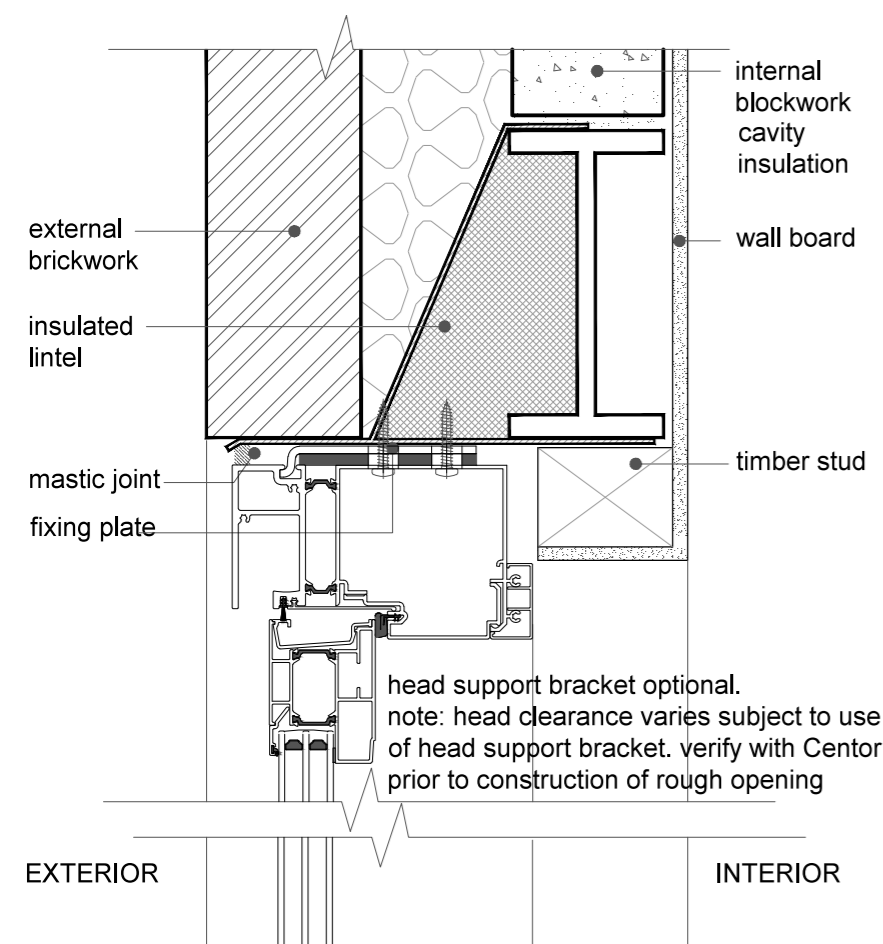


1 jamb detail

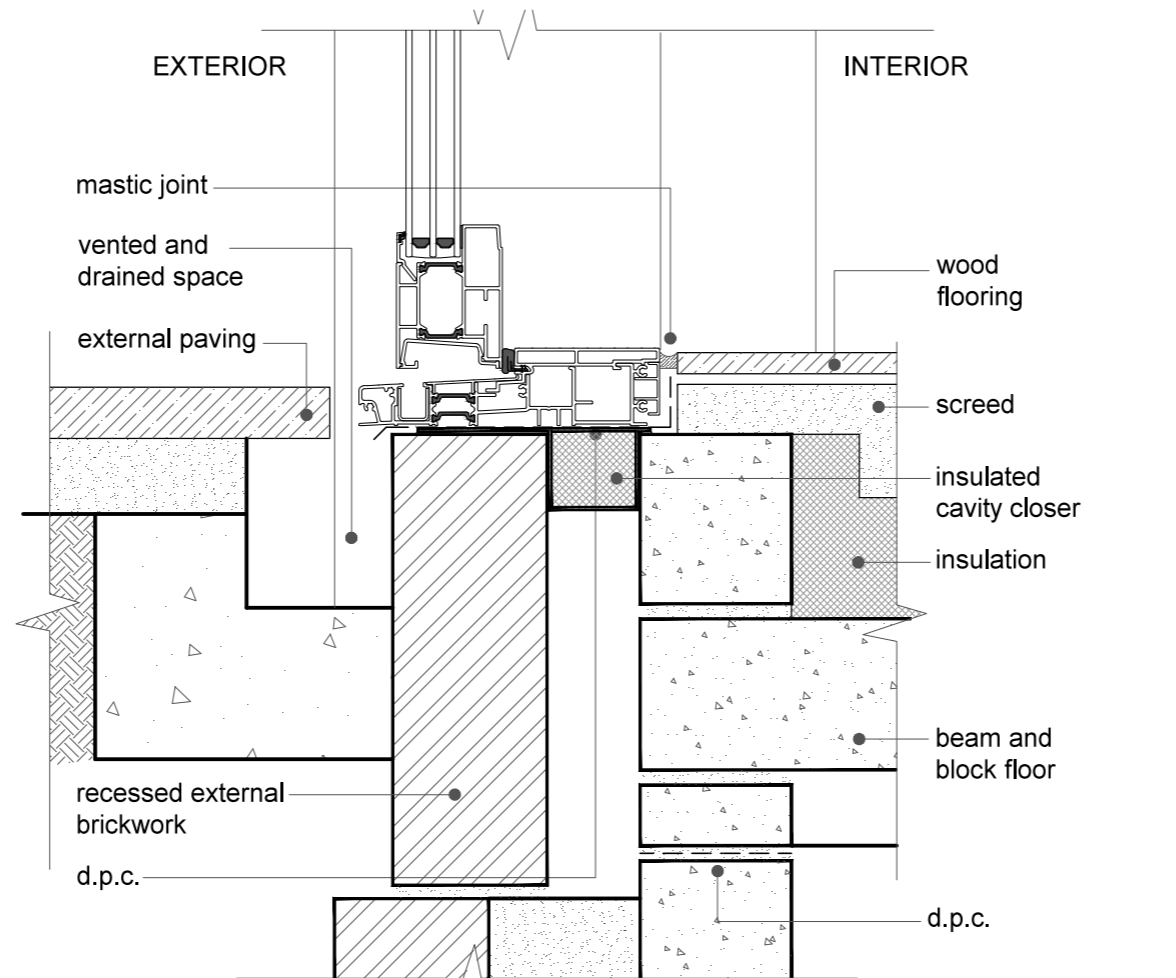
1:5



2 head detail - steel lintel

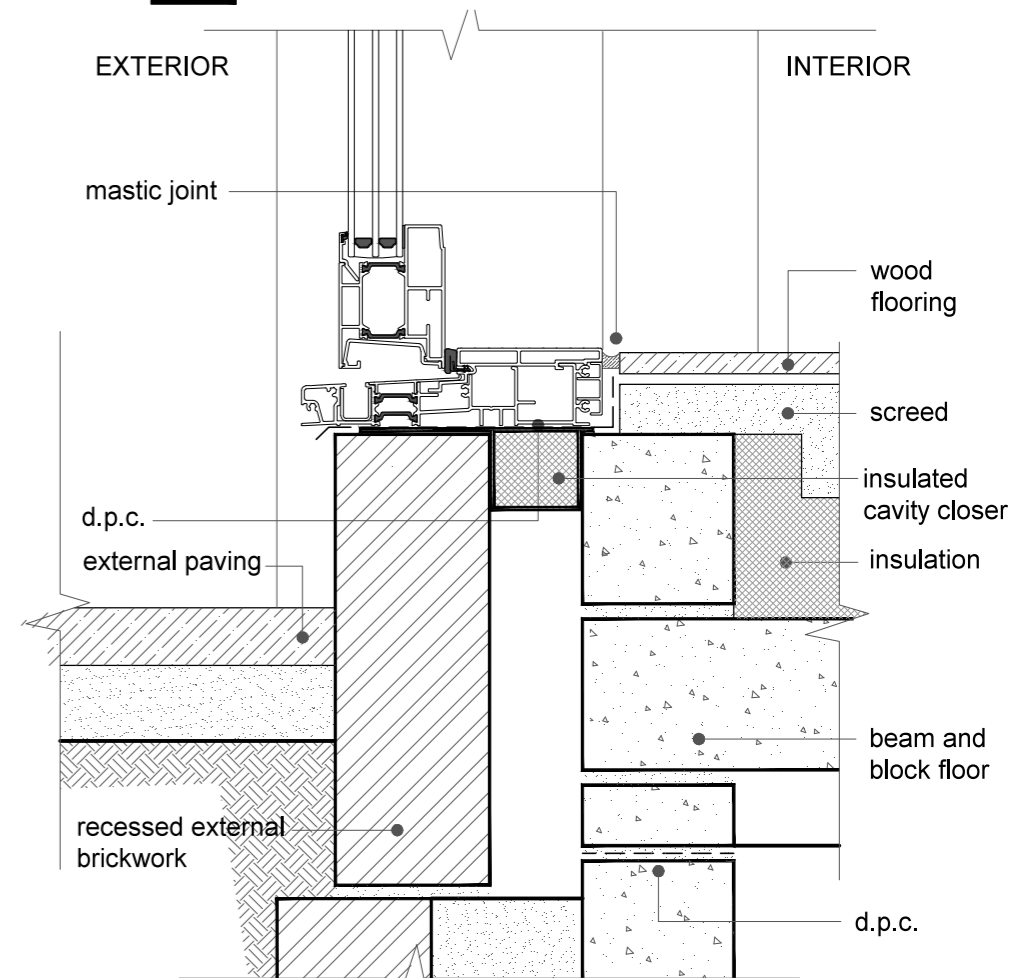
1:5

head support bracket optional.
note: head clearance varies subject to use of head support bracket. verify with Centor prior to construction of rough opening



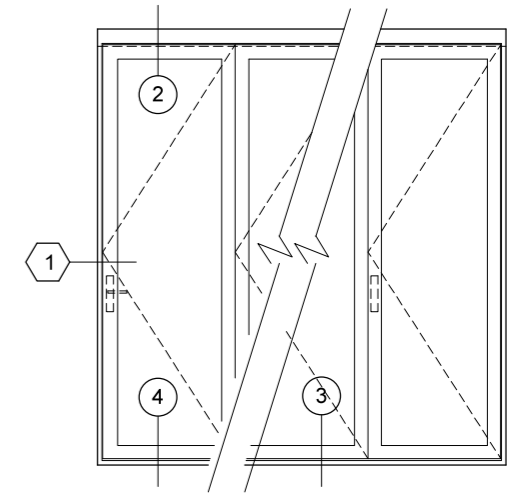
3 sill detail - level paving

1:5



4 sill detail - step down

1:5



elevation key

1:50

	head fixing	
	through carrier channel	through head bracket
head clearance	10mm	25mm
sill clearance	10mm	10mm
jamb clearance	10mm	10mm

typical rough opening clearances