

NEW!



centor

Centor Magnetic Door Catch

For use with folding and french doors, the Centor Magnetic Door Catch has been designed to hold door panels in position when they are open.

Simple to install on any door or wall, the door catch can be positioned either vertically or horizontally at the top or bottom of the door. It may be located on the door rail close to the hinge for greater panel separation for higher door furniture.

With a spring loaded cushion to resist door impact, the door catch does not require accurate alignment allowing for door adjustment.

Constructed from non-corrosive materials, the door catch has a moulded base and stainless steel cover with concealed fasteners to resist removal. A rare high strength earth magnet is enclosed within the cushion ensuring no external corrosion.

It is available in brushed stainless steel, PVD gold or PVD black finishes.



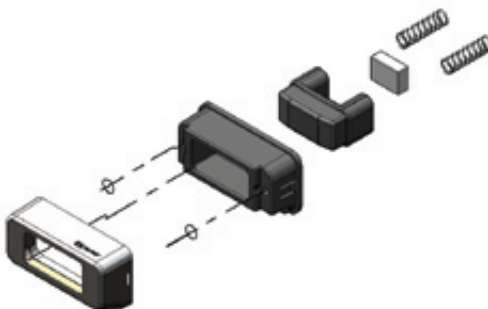
Brushed stainless



PVD gold



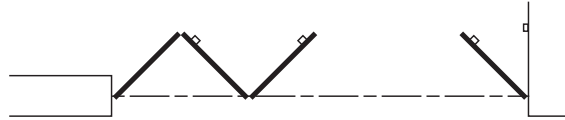
PVD black



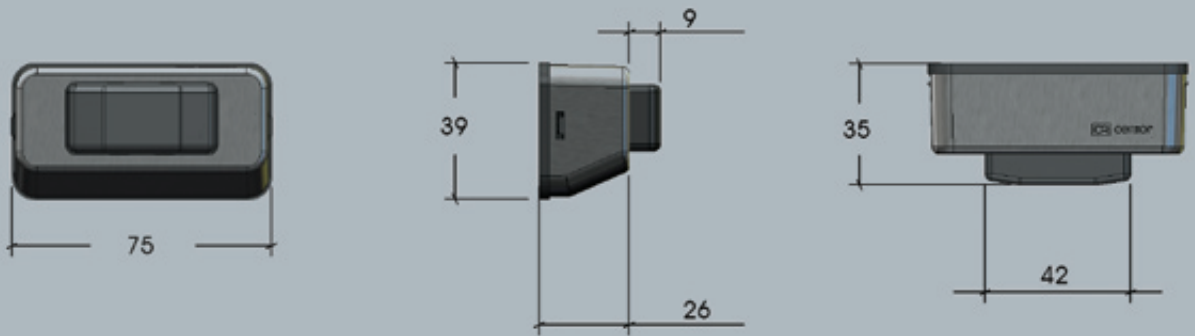
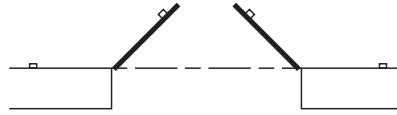
centor® ARCHITECTURAL

APPLICATION ON TYPICAL CONFIGURATIONS

Folding doors



French doors



nominal dimensions only

INSTALLATION




Door catch can be installed on either the top or bottom of the panel.



Position of the door catch is adjustable to accommodate door furniture.

COMPONENT SELECTION

PART	PRODUCT CODE	DESCRIPTION
	DCAS	door catch, brushed stainless steel
	DCAIG	door catch, PVD gold
	DCAOL	door catch, PVD black