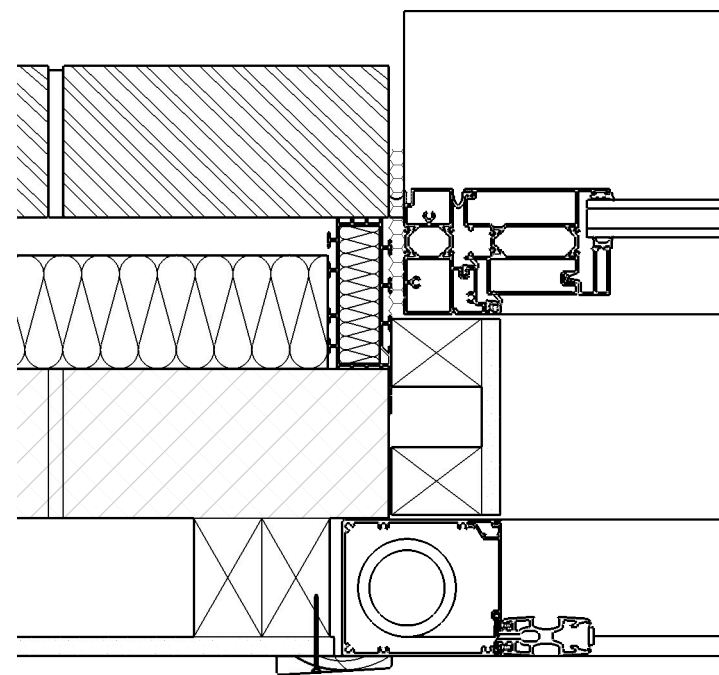
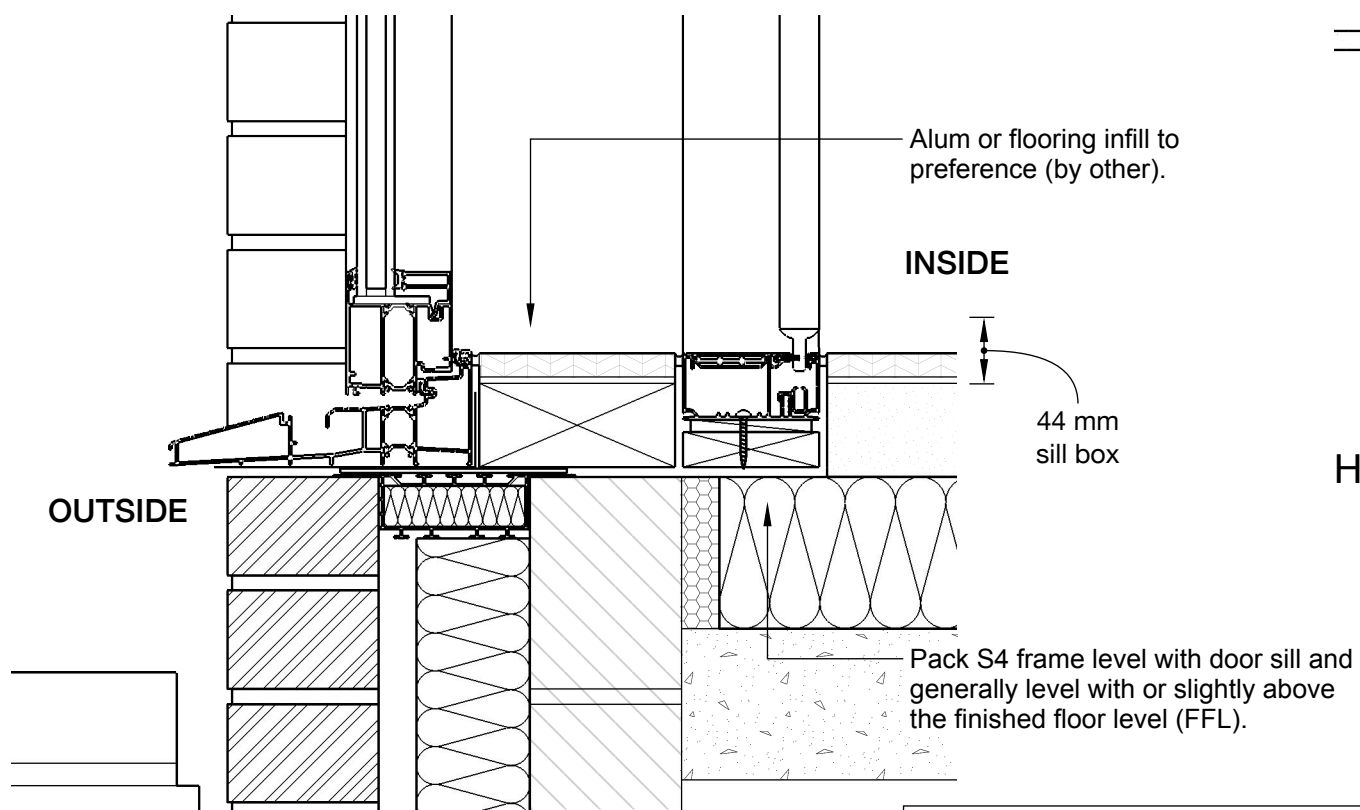
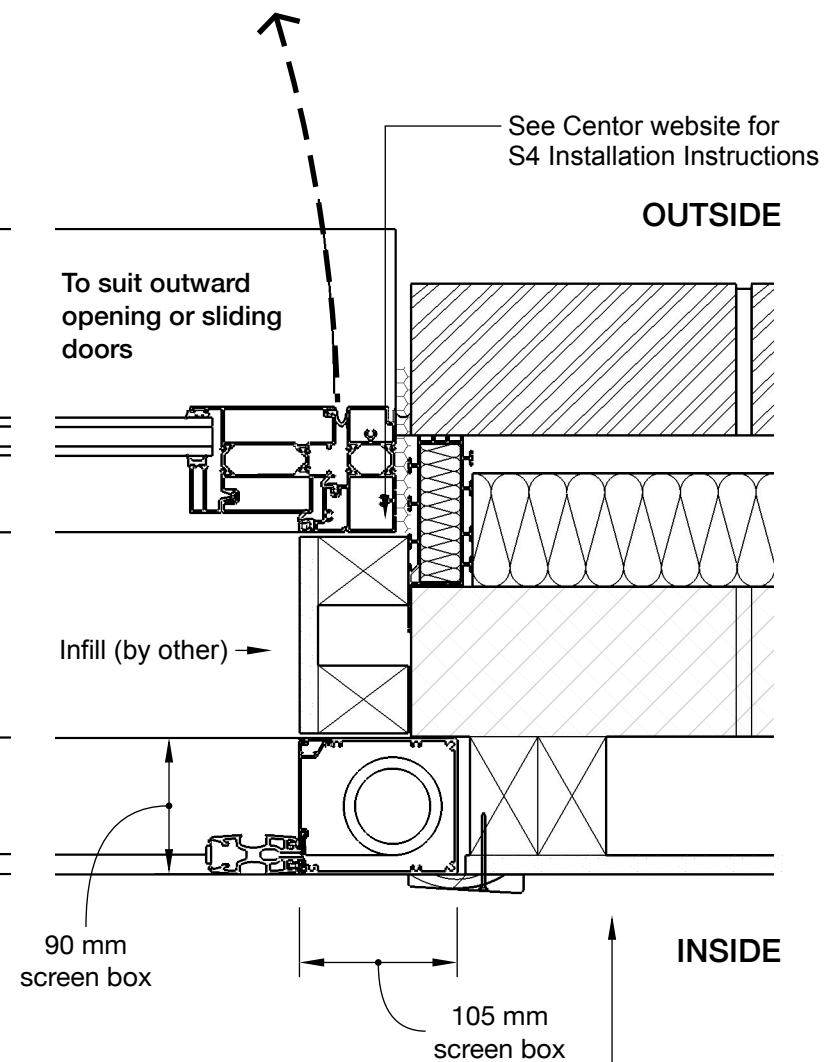


Vertical section Head

Plasterboard or timber infill to suit door finish (by other). Width may vary to suit door fixing or preference



Horizontal section - Jamb



Vertical section Sill

NOTE: where the finished floor is uneven or has slight variations in height (eg: floor tiles) then the top of the S4 & door sill maybe best set 2-5mm above the FFL