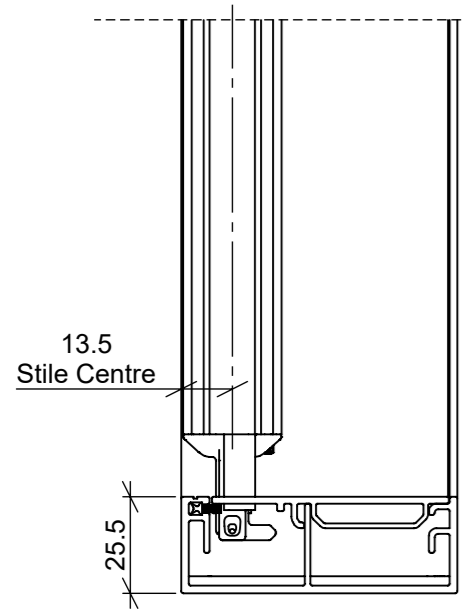
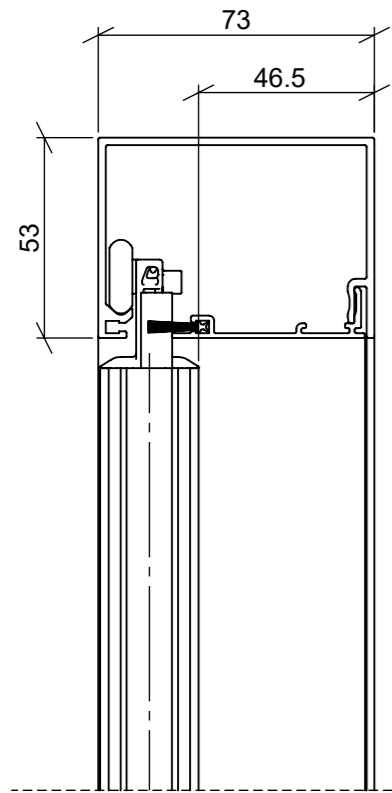
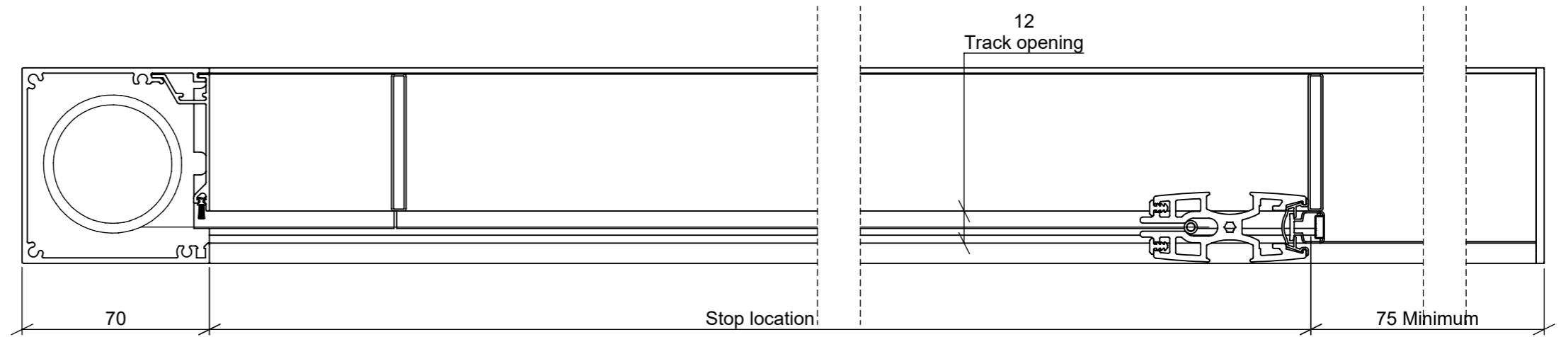
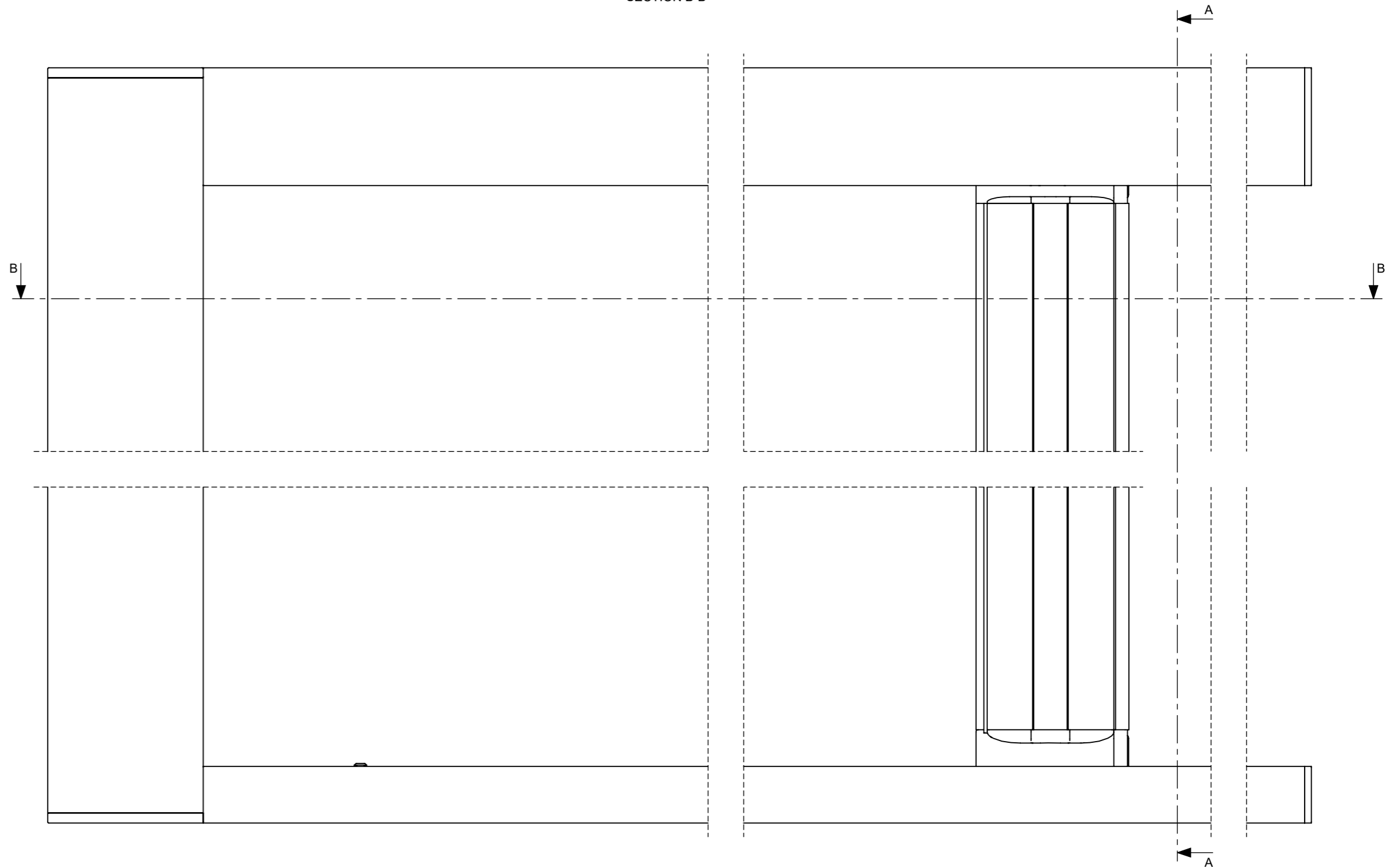


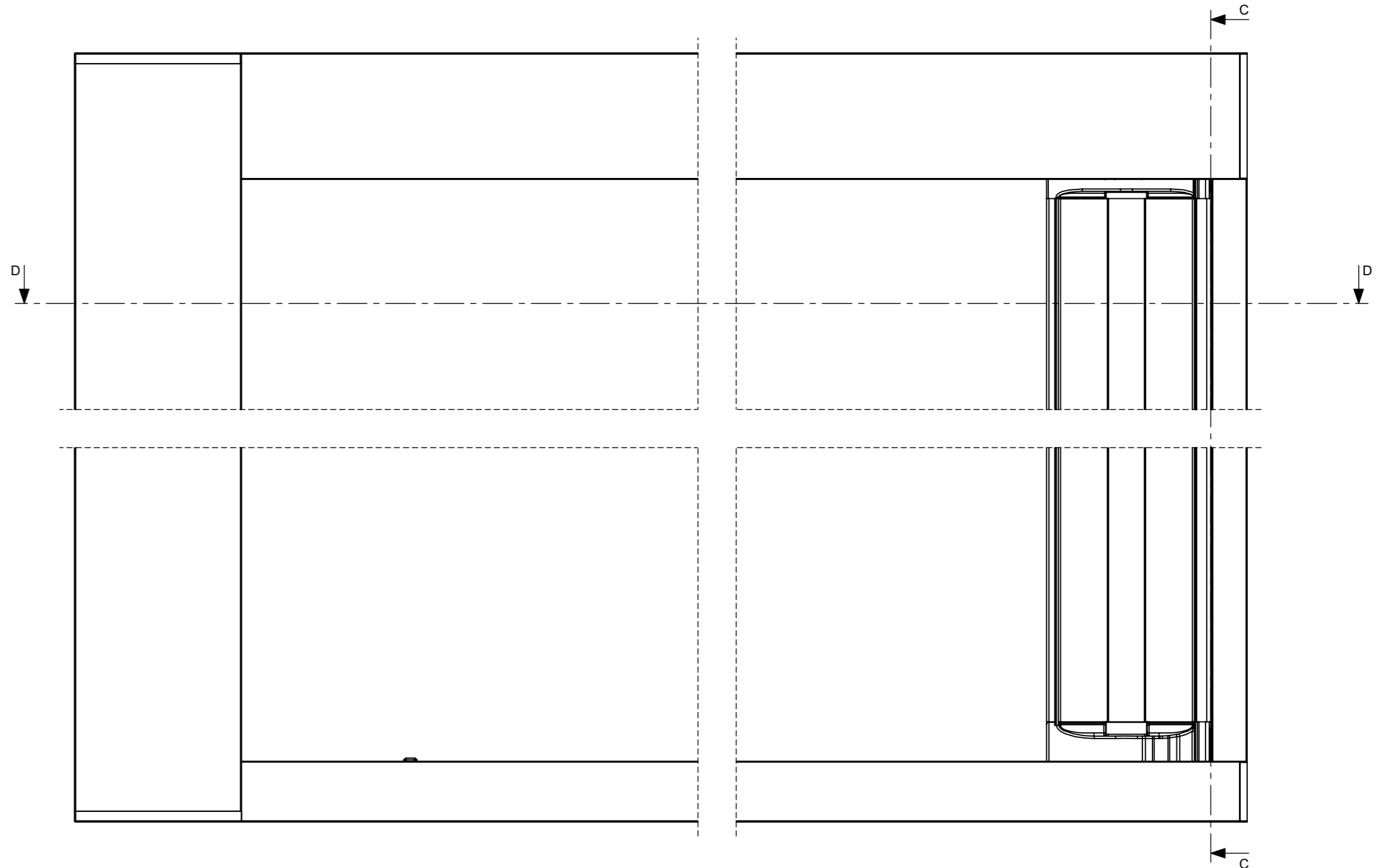
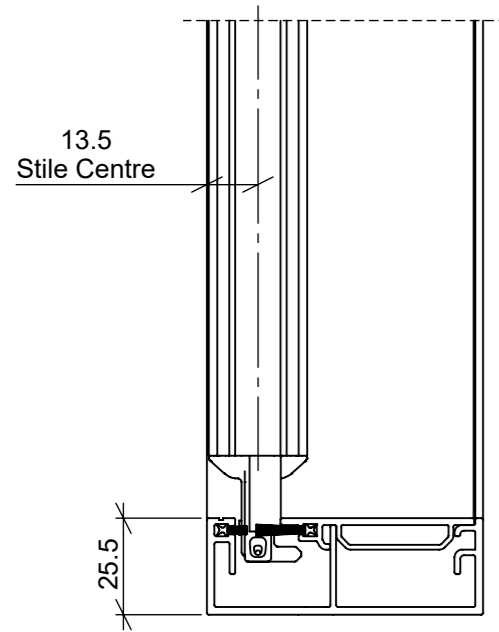
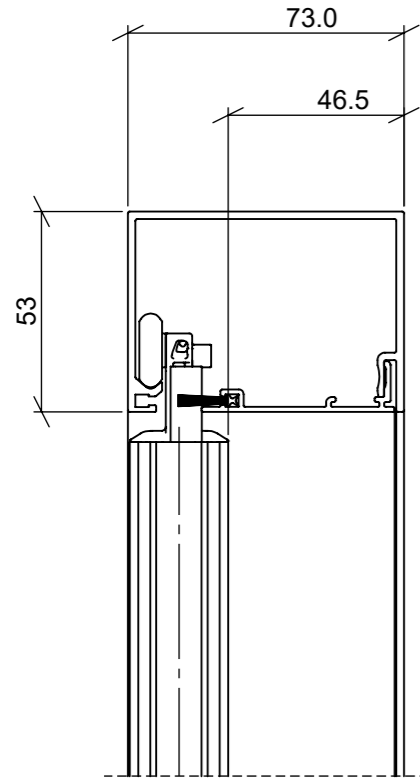
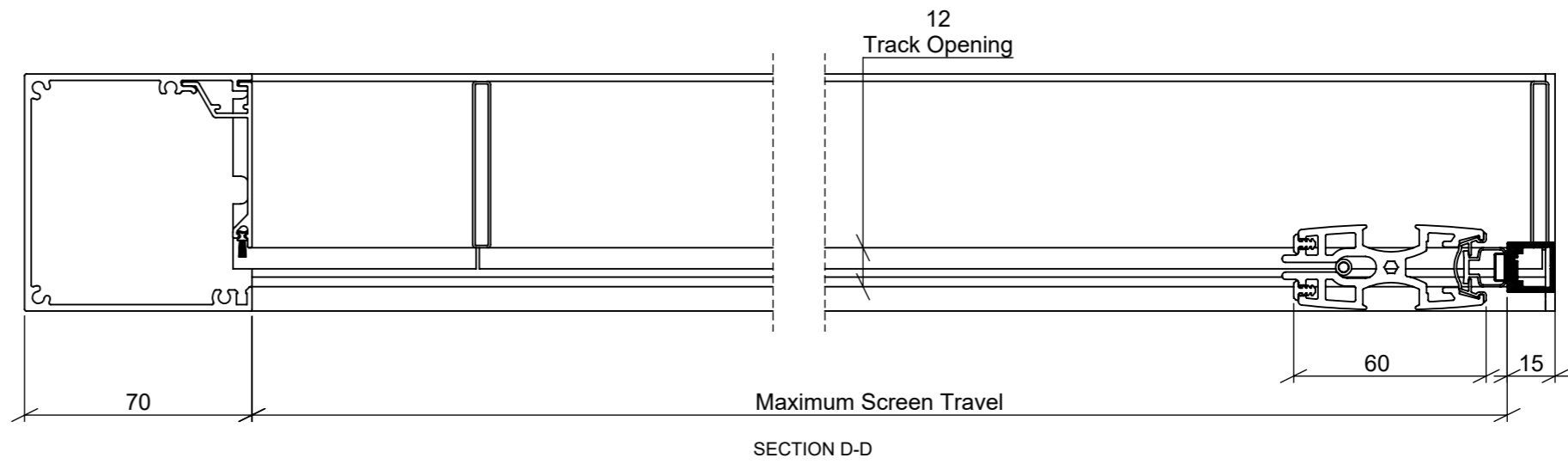
Custom Stop Location



SECTION A-A

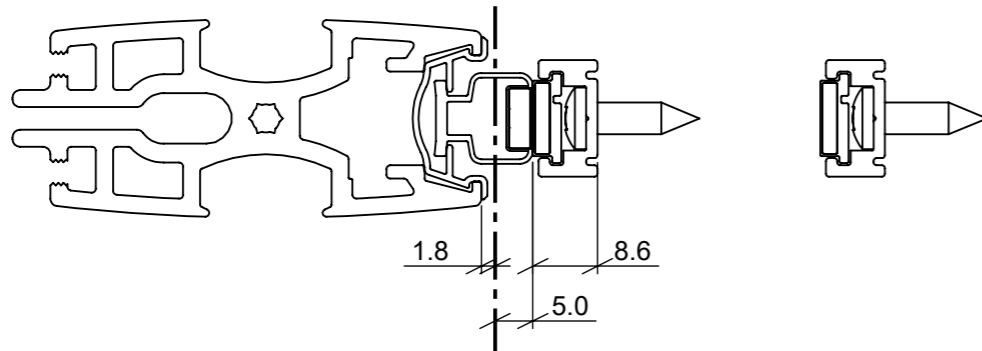


Maximum Screen Travel

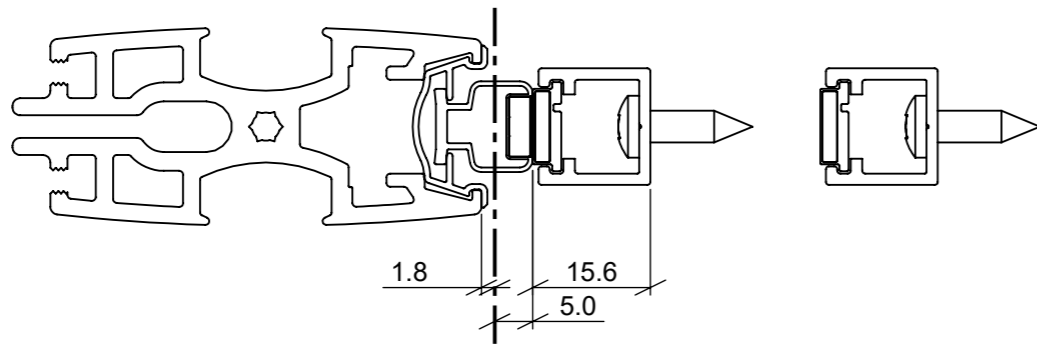


Stile options

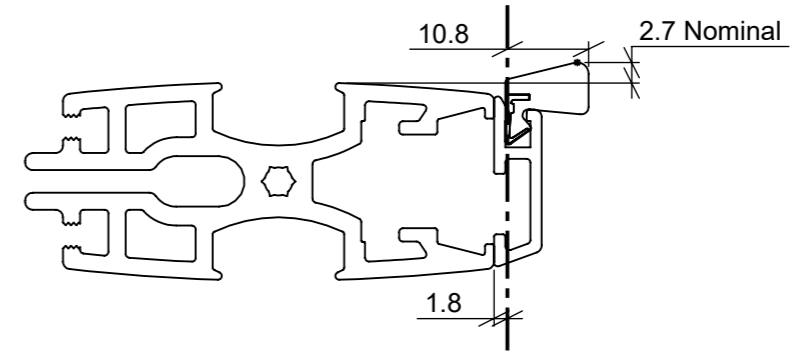
Straight magnet with 8mm adaptor



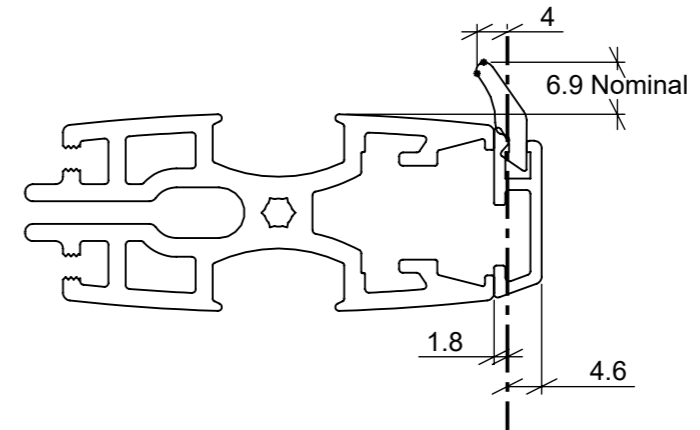
Straight magnet with 15mm adaptor



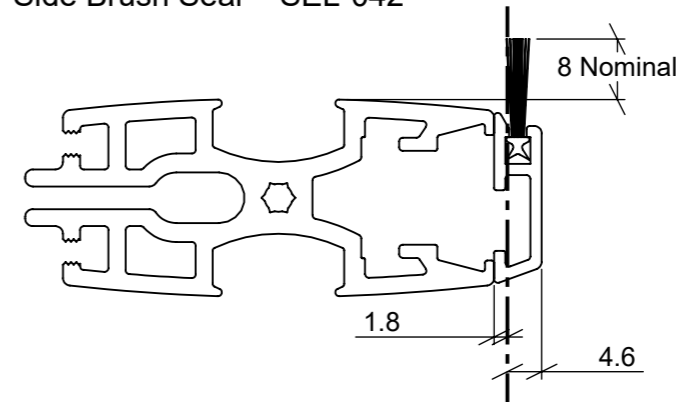
Off-Center Front Seal - AQ109



Side Q-Lon Seal - QL7066



Side Brush Seal - SEL-042



Note: -----

- 1) Nominal Stop Position shown.
- 2) To prevent damage, maximum travel screens must use the 15mm magnet adaptor.