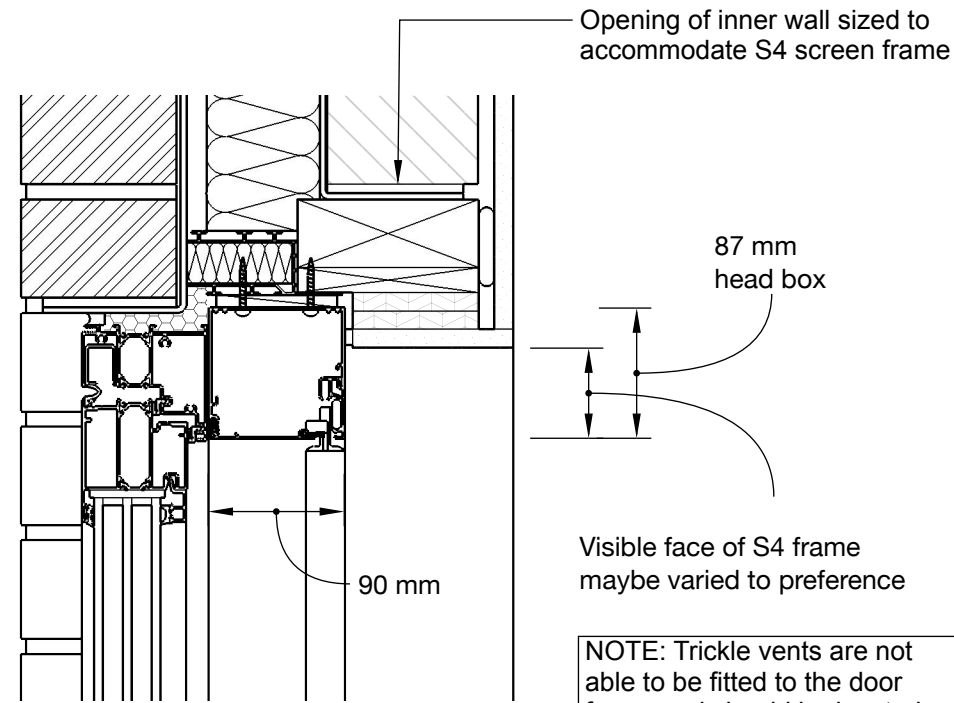


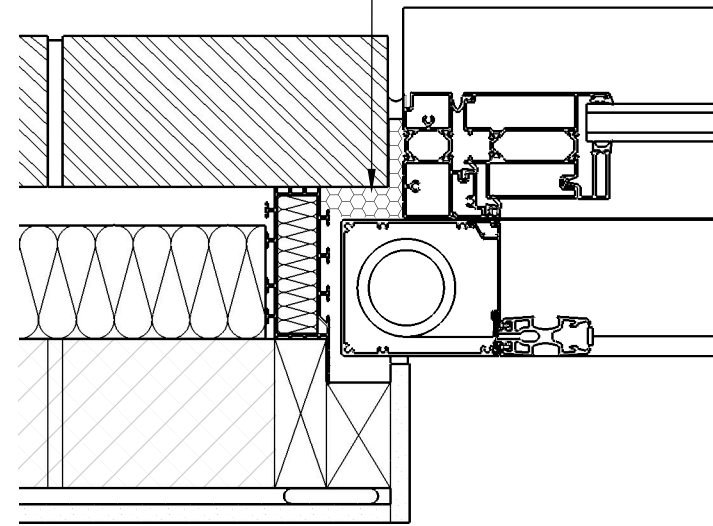
Vertical section Head



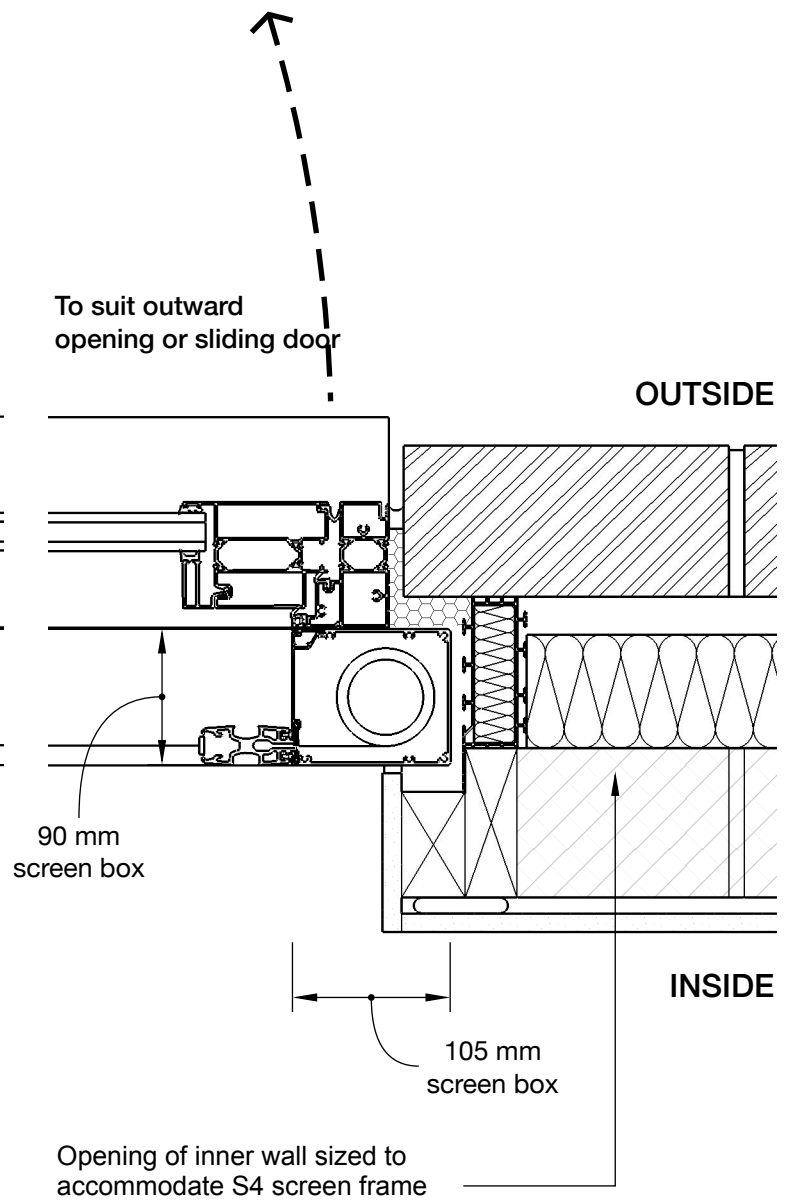
Visible face of S4 frame maybe varied to preference

NOTE: Trickle vents are not able to be fitted to the door frame and should be located in the Top or Bottom rail where required.

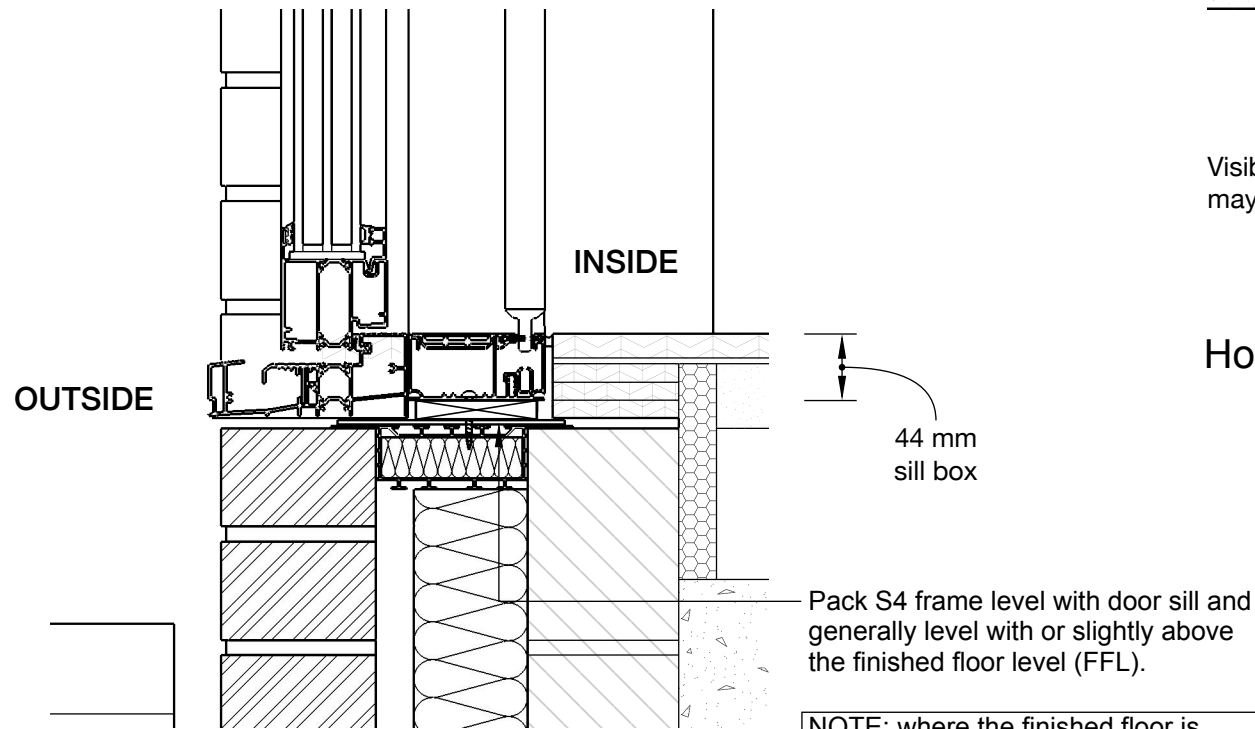
Take care not to damage the S4 screen box when fixing plaster or architraves



Horizontal section - Jamb



Vertical section Sill



NOTE: where the finished floor is uneven or has slight variations in height (eg: floor tiles) then the top of the S4 & door sill maybe best set 2-5mm above the FFL