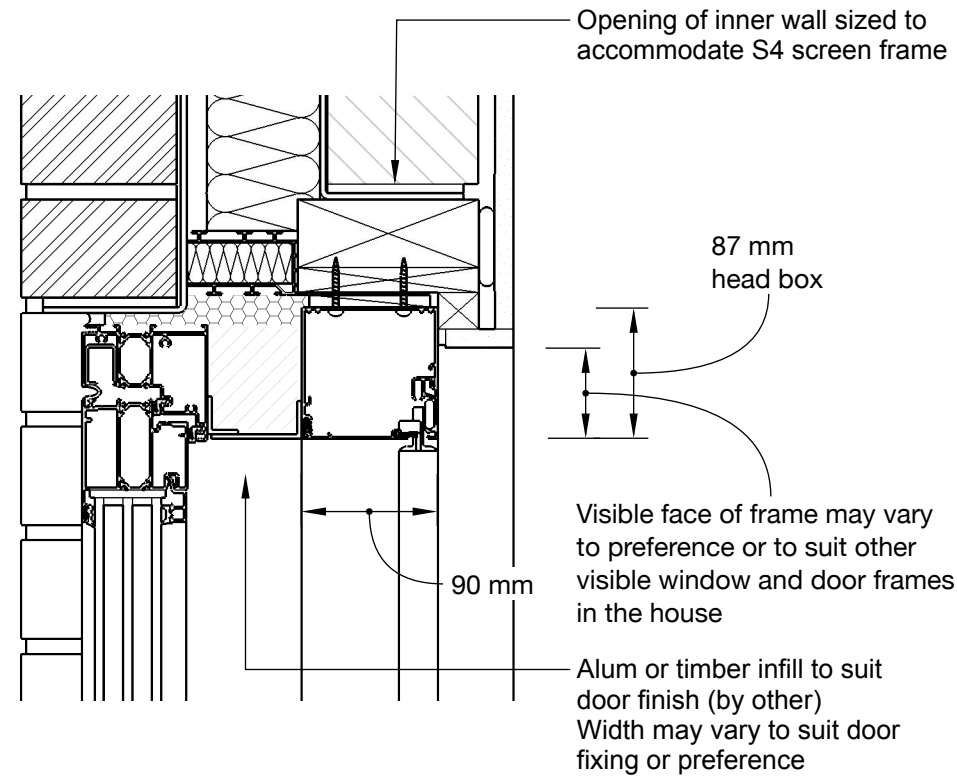
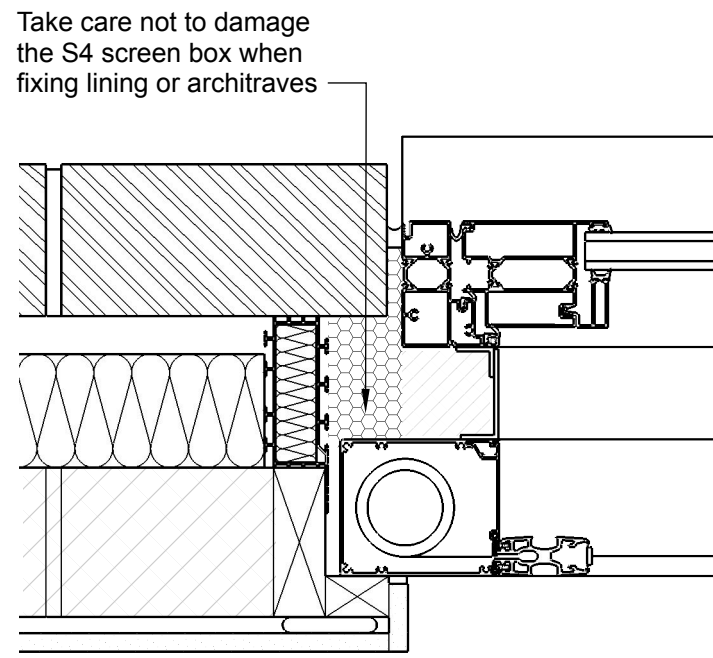


Vertical section
Head

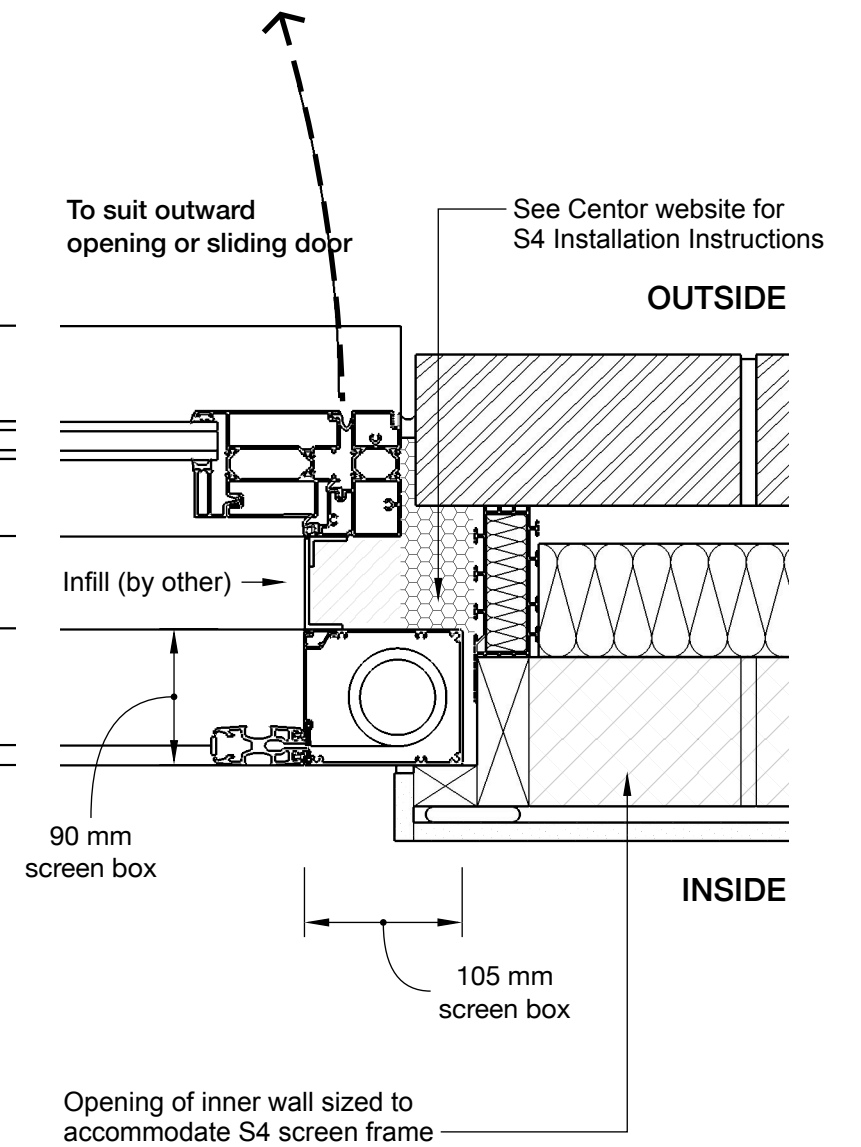


NOTE: Trickle vents are not able to be fitted to the door frame and should be located in the Top or Bottom rail where required.

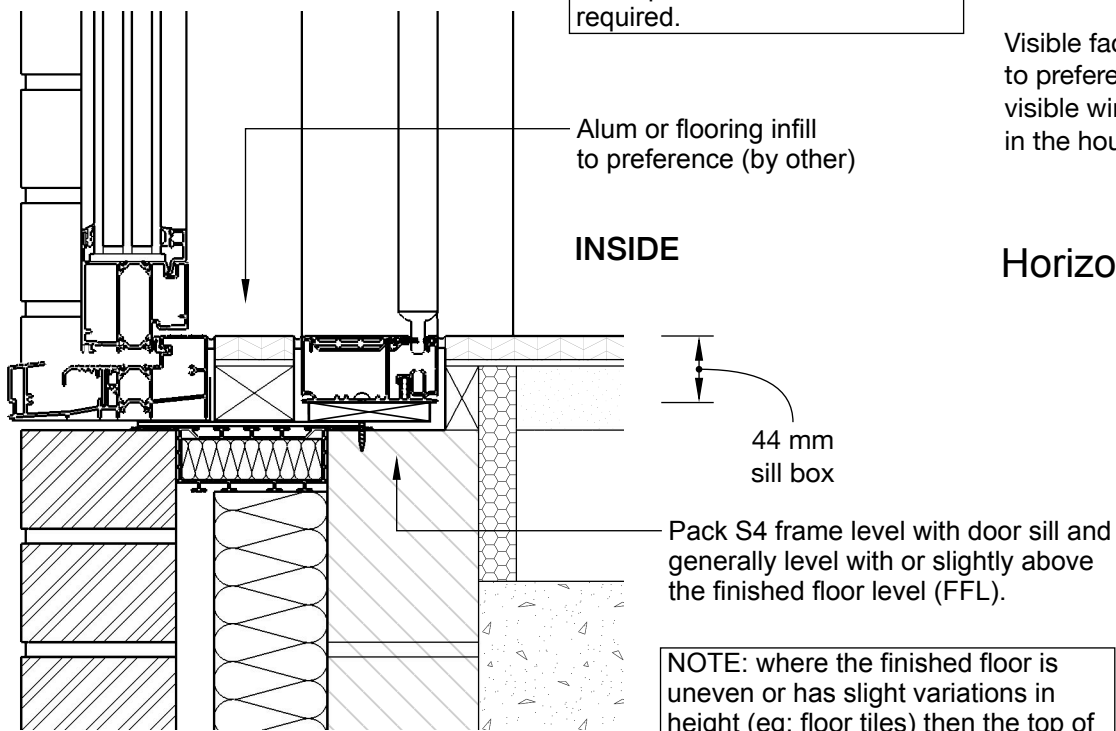


Visible face of frame may vary to preference or to suit other visible window and door frames in the house

Horizontal section - Jamb



OUTSIDE



Vertical section
Sill