

A photograph showing the interior of a modern building. The floor is made of light-colored wood with a prominent grain. In the background, there are several vertical wooden slats of a darker, reddish-brown color. Sunlight streams in from the right, casting long shadows across the floor. The overall atmosphere is bright and airy.

centor<sup>®</sup>

Centor Dropbolts

centor<sup>®</sup>  
*Moved by Innovation*



—  
DY

—  
DOv  
DOe  
DOc  
DOt

—  
DM

—  
DS

# Creating Fastening Solutions

Centor's stylish keyed and non-keyed, flush-mounting dropbolts are the ideal solution for securing or fastening closed folding or sliding windows and doors. Produced to Centor's exacting standards for functionality, aesthetics and longevity, seven distinctive dropbolt ranges are available in lengths, styles and finishes to suit virtually any application.



## Centor Dropbolts

Page

### Door Dropbolts

<b>DY</b>	rounded styling, 1" (25mm) throw, various lengths, for outward opening bifold doors, french doors and sliding doors	4
<b>DO</b>	rounded styling, offset 3/4" (20mm) throw, various lengths, for inward opening bifold doors	7

### Window Dropbolts

<b>DM</b>	narrower rounded styling, 3/4" (20mm) throw and 4' (100mm) overall length, for bifold, sliding, casement and awning windows	16
<b>DS</b>	narrower rounded styling, 3/4" (20mm) throw and 11' 3/4" (300mm) overall length, for tall or inaccessible bifold, sliding, casement and awning	20

## Attractive and Functional

Folding windows and doors, french doors, sliding doors and windows of all descriptions can benefit from the neat flush-mounted appearance and load-tested reassurance of Centor dropbolts. Closed windows and doors are firmly fastened in place with minimum fuss and maximum style.



### QUALITY APPEARANCE

Manufactured from aluminium with a solid stainless steel shaft a wide choice of finishes is available in each range allowing the dropbolts to contrast or tone in with the panel material, as well as the option of matching the dropbolts with exposed door or window hardware. Easily installed in timber panels with dedicated router bits, Centor's minimalist dropbolts avoid the untidy look of bolted on fasteners and ensure an appearance of the highest quality is maintained across an entire opening.

### LOAD RATED

Impressive wind-load ratings mean Centor dropbolts will anchor windows and doors firmly in place, even in the most extreme weather conditions. All door dropbolt systems are rated to resist up to 990lb (450kg). Window systems are rated to 44lb (200kg). Centor is able to test door and window sections and provide a test certificate stating the rating actually achieved.



## Security and Utility

The key to any good fastening system is ensuring the systems it complements can be easily put into use, while opportunity for misuse, or use by unwelcome parties is minimized. Innovative design features mean Centor dropbolts succeed in both enabling access, and denying it!



With bolt throws in lengths from 3/4" (20mm) to 1' 1/2" (40mm) as well as offset throw bolts there's a Centor dropbolt for virtually every application.



### SECURITY OPTIONS

Non-keyed options fasten doors against the elements and provide peace of mind against the casual intruder, while keyed dropbolts offer full 'deadlock' security. Thoughtful dead-bolt design means the bolt can only be released when the key has been removed, preventing damage to doors. Dropbolts are available keyed alike and can be rekeyed to match other household locks by a professional locksmith.

### ACCESSIBILITY

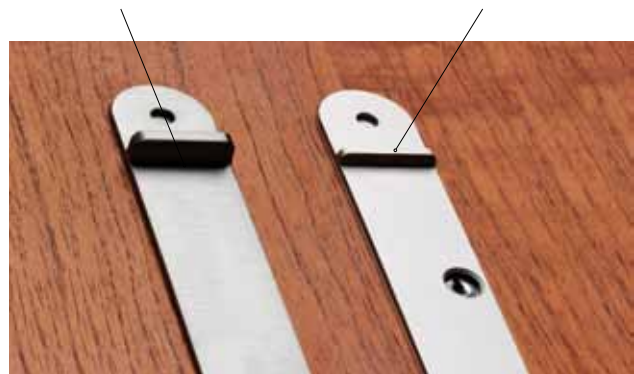
Whether installed at the top or bottom of doors or windows, Centor dropbolts need never be out of reach. With a choice of lengths available across each range, easy operation is assured for every potential user.

### WARRANTY

Like all Centor products, every dropbolt is covered by a ten-year warranty against manufacturing defects.

Standard profile grip for easy dropbolt handling.

Low profile grip solves clearance issues for parallel and cavity-sliding doors.



## Centor DY Dropbolt

Suited to outward opening folding doors, french doors and sliding doors, Centor DS features an extended 1' (25mm) throw, rounded styling and an extensive range of lengths (to 39' or 1000mm) and finishes.

### DY SPECIFICATIONS

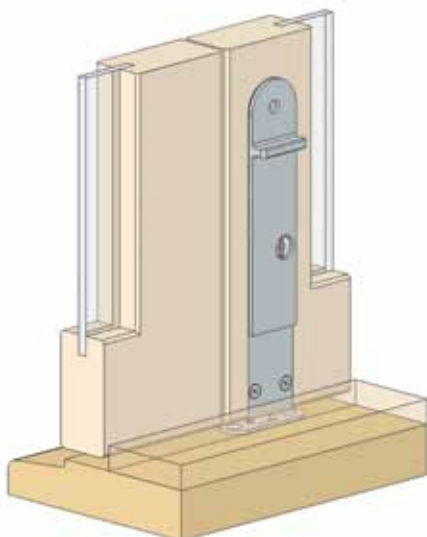
max wind load	990lb (450kg) force
min door thickness	1' 3/8" (35mm)
security	keyed, non-keyed
dropbolt lengths	200/400/600/1000mm
throw length	1' (25mm)
finishes	PVD brass* brushed metallic oil rubbed bronze powdercoat

\*PVD brass available by special order.

DY will resist high winds and is rated to resist a up to 990lb (450kg). Centor can test your actual door section and provide a test certificate stating the rating achieved. DY features a unique damage-proof mechanism for bifold doors which prevents the bolt being operated if the key is left in the lock. The bolts are easily installed with a dedicated router bit and are available in PVD brass, brushed metallic and oil rubbed bronze powdercoat. The bolts are available keyed alike and may be rekeyed by a professional locksmith.

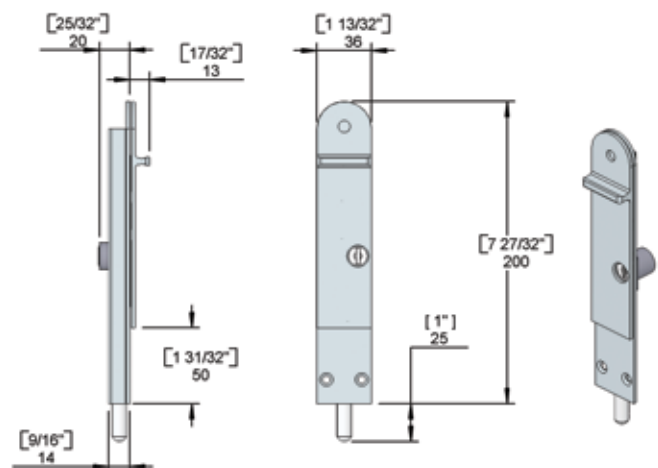


### Architectural Detail



Patent granted

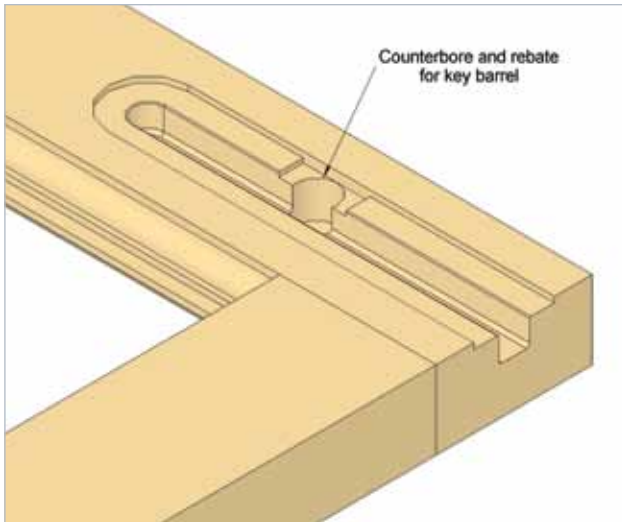
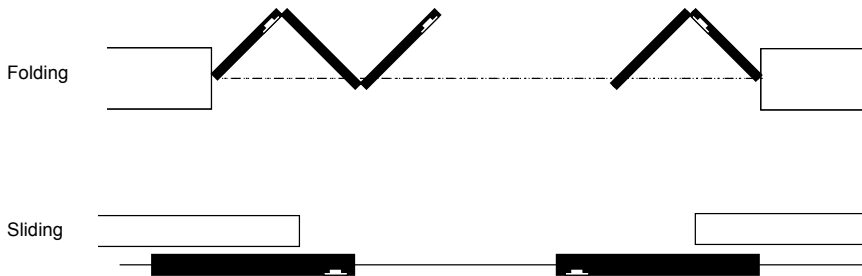
### DY dropbolt assembly



SY-001.DXF

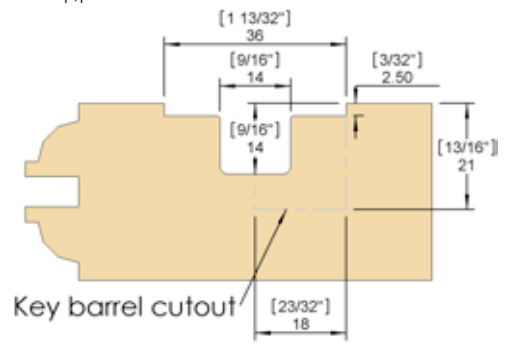
## INSTALLATION

Dropbolts locations in some typical configurations



### Installation


1. machine with router bit
2. fit bolt to door
3. fit striker cup/plate



SY-002.DXF


## Centor DY Dropbolt CONTINUED

### DY / KEYED

PARTS	PRODUCT CODE	DESCRIPTION
	DBSY200KRTG	200mm dropbolt, keyed, PVD brass
	DBSY200KRQ	200mm dropbolt, keyed, oil rubbed bronze powdercoat
	DBSY200KRX	200mm dropbolt, keyed, brushed metallic
	DBSY400KRTG	400mm dropbolt, keyed, PVD brass
	DBSY400KRQ	400mm dropbolt, keyed, oil rubbed bronze powdercoat
	DBSY400KRX	400mm dropbolt, keyed, brushed metallic
	DBSY600KRTG	600mm dropbolt, keyed, PVD brass
	DBSY600KRQ	600mm dropbolt, keyed, oil rubbed bronze powdercoat
	DBSY1000KRTG	1000mm dropbolt, keyed, PVD brass


DY keyed available by special order.

### DY / NON-KEYED


PARTS	PRODUCT CODE	DESCRIPTION
	DBSY200NRTG	200mm dropbolt, non-keyed, PVD brass
	DBSY200NRQ	200mm dropbolt, non-keyed, oil rubbed bronze powdercoat
	DBSY200NRX	200mm dropbolt, non-keyed, brushed metallic
	DBSY400NRTG	400mm dropbolt, non-keyed, PVD brass
	DBSY400NRQ	200mm dropbolt, non-keyed, oil rubbed bronze powdercoat
	DBSY400NRX	400mm dropbolt, non-keyed, brushed metallic
	DBSY600NRTG	600mm dropbolt, non-keyed, PVD brass
	DBSY600NRQ	600mm dropbolt, non-keyed, oil rubbed bronze powdercoat
	DBSY600NRX	600mm dropbolt, non-keyed, brushed metallic
	DBSY1000NRTG	1000mm dropbolt, non-keyed, PVD brass
	DBSY1000NRQ	1000mm dropbolt, non-keyed, oil rubbed bronze powdercoat

PVD brass available by special order.

### ROUTER BIT

PART	PRODUCT CODE	DESCRIPTION
	DBFORB	dedicated router bit for professional installation of Centor DH, DF, DL, DY and DO dropbolts

### CUPS

PART	PRODUCT CODE	DESCRIPTION
	DBCS	dropbolt cup, stainless steel
	DBCOL	dropbolt cup, PVD bronze
	DBCTG	dropbolt cup, PVD brass



## Centor DO Dropbolt (for inward opening)

Designed specifically for use with inward opening folding and French doors, Centor DO comes into its own wherever an offset bolt is required. It features rounded styling and an extensive range of lengths and finishes.

DO SPECIFICATIONS	
max wind load	990lb (450kg) force
min door thickness	1' 3/8" (35mm)
security	keyed, non-keyed
dropbolt lengths	200/400/600/1000mm
throw length	3/4" (20mm)
finishes	PVD brass* brushed metallic oil rubbed bronze powdercoat natural anodized* white powdercoat*

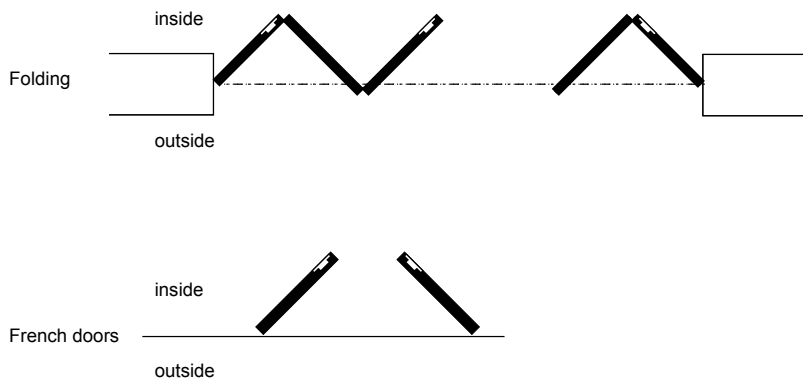
\*PVD brass, natural anodized and white powdercoat available by special order.

DO Dropbolt offers all the style and security of the DF but with its offset bolt is designed for inward opening applications such as french doors, entry doors or inward opening bifold doors.



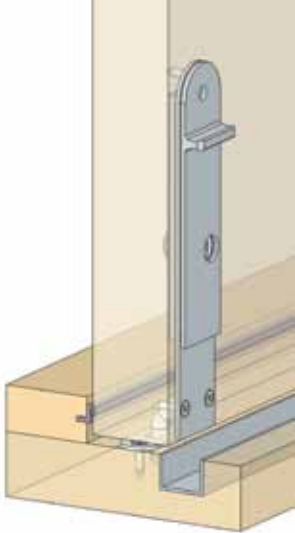
### INSTALLATION

Dropbolts locations in some typical configurations



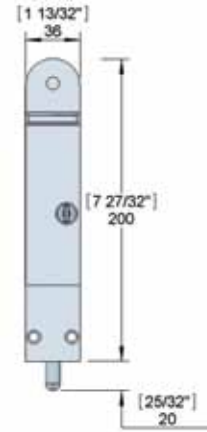
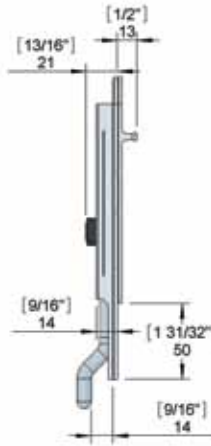
# Centor DOv Dropbolt

Architectural Detail

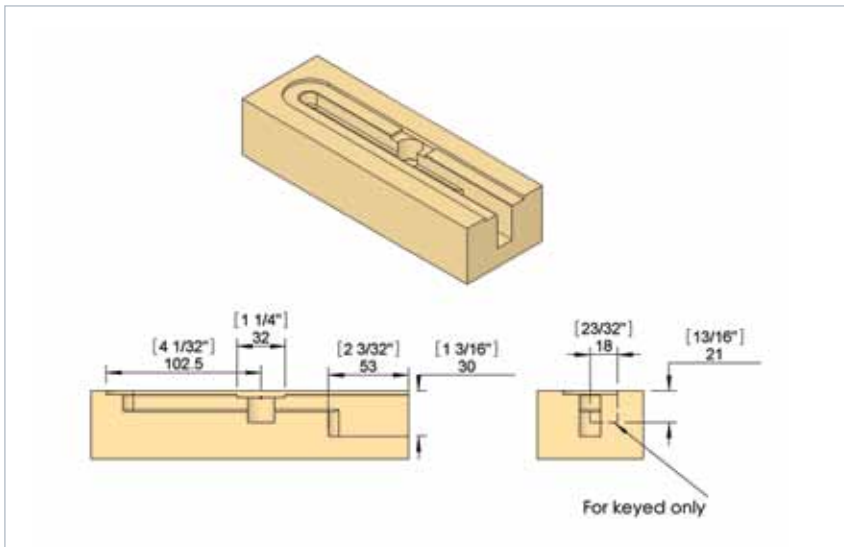


Patent granted


DOv dropbolt assembly



DOV-001.DXF



DOv / NON-KEYED

PARTS	PRODUCT CODE	DESCRIPTION
	DBOV200NRX	200mm dropbolt, non-keyed, brushed metallic
	DBOV400NRX	400mm dropbolt, non-keyed, brushed metallic

DOv dropbolts available by special order.

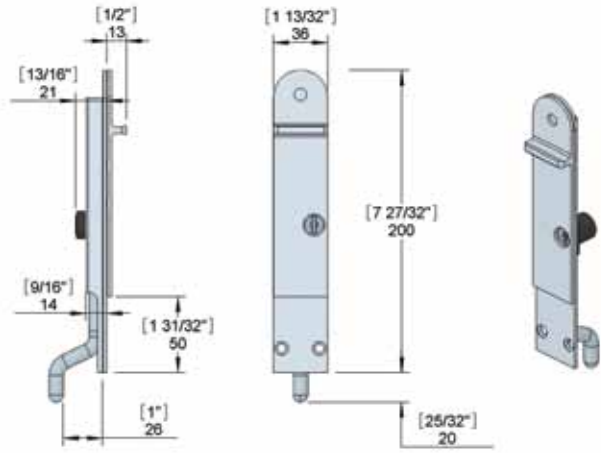
# Centor DOe Dropbolt

Architectural Detail

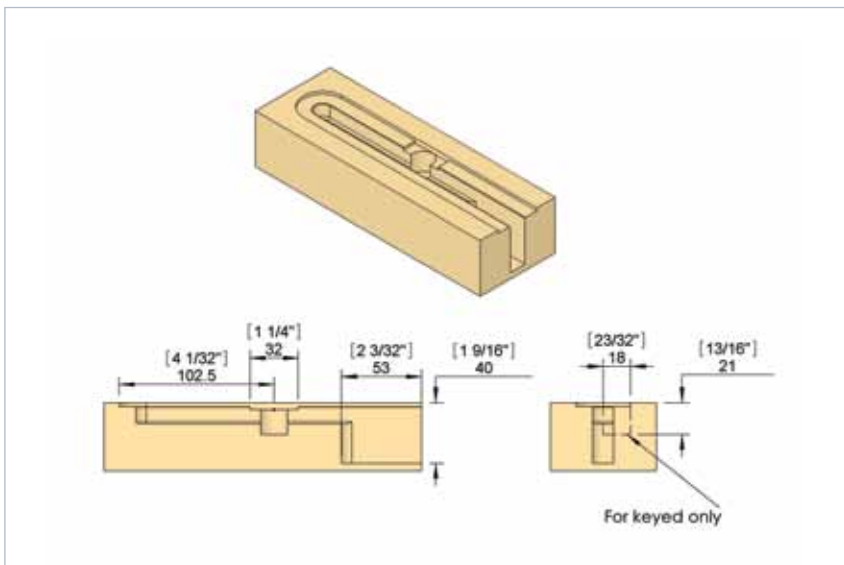


Patent granted

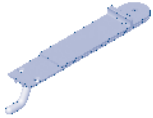
DOe dropbolt assembly



DOE-001.DXF



DOe / NON-KEYED

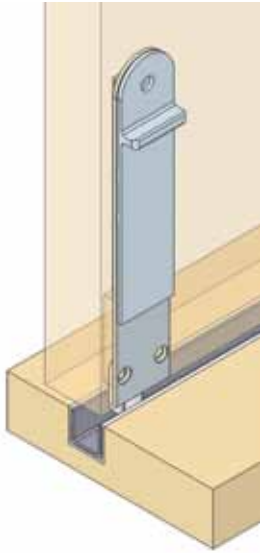
PARTS	PRODUCT CODE	DESCRIPTION
	DBOE200NRTG	200mm dropbolt, non-keyed, PVD brass
	DBOE200NRQ	200mm dropbolt, non-keyed, oil rubbed bronze powdercoat
	DBOE200NRX	200mm dropbolt, non-keyed, brushed metallic
	DBOE400NRTG	400mm dropbolt, non-keyed, PVD brass
	DBOE400NRQ	400mm dropbolt, non-keyed, oil rubbed bronze powdercoat
	DBOE400NRX	400mm dropbolt, non-keyed, brushed metallic
	DBOE600NRTG	600mm dropbolt, non-keyed, PVD brass
	DBOE600NRQ	600mm dropbolt, non-keyed, oil rubbed bronze powdercoat
	DBOE600NRX	600mm dropbolt, non-keyed, brushed metallic
	DBOE1000NRTG	1000mm dropbolt, non-keyed, PVD brass
	DBOE1000NRQ	1000mm dropbolt, non-keyed, oil rubbed bronze powdercoat
	DBOE1000NRX	1000mm dropbolt, non-keyed, brushed metallic

PVD brass available by special order.



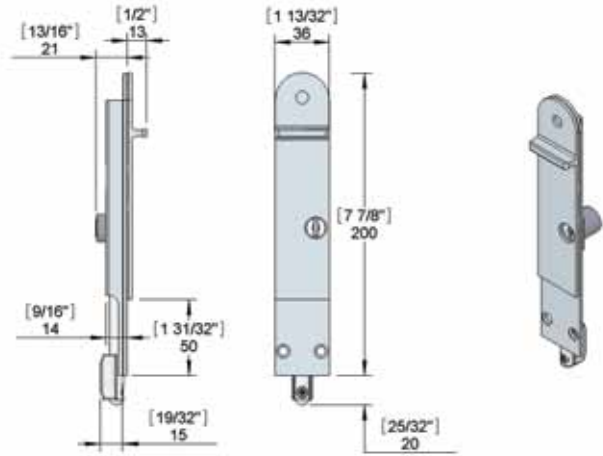
# Centor D0c Dropbolt

Architectural Detail

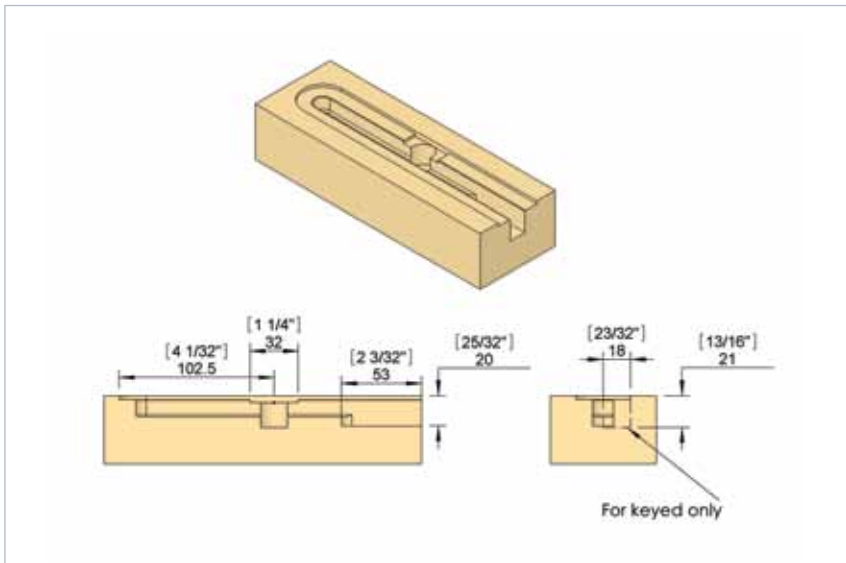


Patent granted

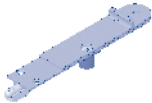
D0c dropbolt assembly



DOC-001.DXF

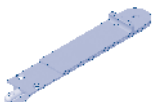


DOc / KEYED

PARTS	PRODUCT CODE	DESCRIPTION
	DBOC200KRQ	200mm dropbolt, concealed, keyed, oil rubbed bronze powdercoat
	DBOC200KRX	200mm dropbolt, concealed, keyed, brushed metallic

DOc keyed available by special order.

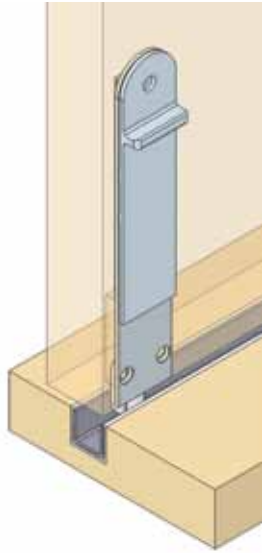
DOc / NON-KEYED

PARTS	PRODUCT CODE	DESCRIPTION
	DBOC200NRTG	200mm dropbolt, concealed, non-keyed, PVD brass
	DBOC200NRQ	200mm dropbolt, concealed, non-keyed, oil rubbed bronze powdercoat
	DBOC200NRX	200mm dropbolt, concealed, non-keyed, brushed metallic
	DBOC400NRTG	400mm dropbolt, concealed, non-keyed, PVD brass
	DBOC400NRQ	400mm dropbolt, concealed, non-keyed, oil rubbed bronze powdercoat
	DBOC400NRX	400mm dropbolt, concealed, non-keyed, brushed metallic

PVD brass available by special order.

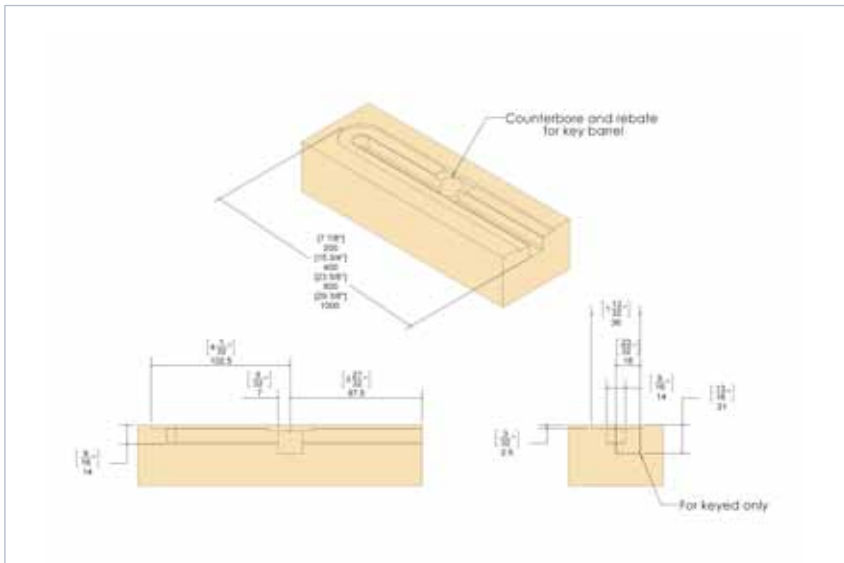
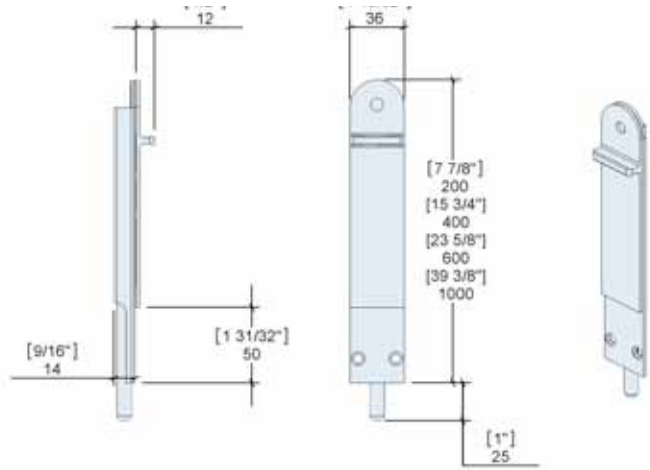
# Centor DOT Dropbolt

Architectural Detail




Patent granted

DOT dropbolt assembly




DOT / KEYED

PARTS	PRODUCT CODE	DESCRIPTION
	DBOT200KRN	200mm dropbolt, keyed, natural anodized
	DBOT200KRQ	200mm dropbolt, keyed, oil rubbed bronze powdercoat
	DBOT200KRW	200mm dropbolt, keyed, white powdercoat
	DBOT200KRX	200mm dropbolt, keyed, brushed metallic
	DBOT400KRN	400mm dropbolt, keyed, natural anodized
	DBOT400KRQ	400mm dropbolt, keyed, oil rubbed bronze powdercoat
	DBOT400KRW	400mm dropbolt, keyed, white powdercoat
	DBOT400KRX	400mm dropbolt, keyed, brushed metallic
	DBOT600KRN	600mm dropbolt, keyed, natural anodized
	DBOT600KRQ	600mm dropbolt, keyed, oil rubbed bronze powdercoat
	DBOT600KRW	600mm dropbolt, keyed, white powdercoat
	DBOT600KRX	600mm dropbolt, keyed, brushed metallic

DOT keyed available by special order.

DOT / NON-KEYED

PARTS	PRODUCT CODE	DESCRIPTION
	DBOT200NRTG	200mm dropbolt, non-keyed, PVD brass
	DBOT200NRN	200mm dropbolt, non-keyed, natural anodized
	DBOT200NRQ	200mm dropbolt, non-keyed, oil rubbed bronze powdercoat
	DBOT200NRW	200mm dropbolt, non-keyed, white powdercoat
	DBOT200NRX	200mm dropbolt, non-keyed, brushed metallic
	DBOT400NRTG	400mm dropbolt, non-keyed, PVD brass
	DBOT400NRN	400mm dropbolt, non-keyed, natural anodized
	DBOT400NRQ	400mm dropbolt, non-keyed, oil rubbed bronze powdercoat
	DBOT400NRW	400mm dropbolt, non-keyed, white powdercoat
	DBOT400NRX	400mm dropbolt, non-keyed, brushed metallic
	DBOT600NRTG	600mm dropbolt, non-keyed, PVD brass
	DBOT600NRN	600mm dropbolt, non-keyed, natural anodized
	DBOT600NRQ	600mm dropbolt, non-keyed, oil rubbed bronze powdercoat
	DBOT600NRW	600mm dropbolt, non-keyed, white powdercoat
	DBOT600NRX	600mm dropbolt, non-keyed, brushed metallic
	DBOT1000NRTG	1000mm dropbolt, non-keyed, PVD brass
	DBOT1000NRN	1000mm dropbolt, non-keyed, natural anodized
	DBOT1000NRQ	1000mm dropbolt, non-keyed, oil rubbed bronze powdercoat
	DBOT1000NRW	1000mm dropbolt, non-keyed, white powdercoat
	DBOT1000NRX	1000mm dropbolt, non-keyed, brushed metallic

PVD brass, natural anodized and white powdercoat available by special order.

## Centor DM Dropbolt

Half the length 4' (100mm) of the smallest door dropbolt system and correspondingly narrow, Centor DM is designed to flush-mount into window frames with minimal visual impact.

### DM SPECIFICATIONS

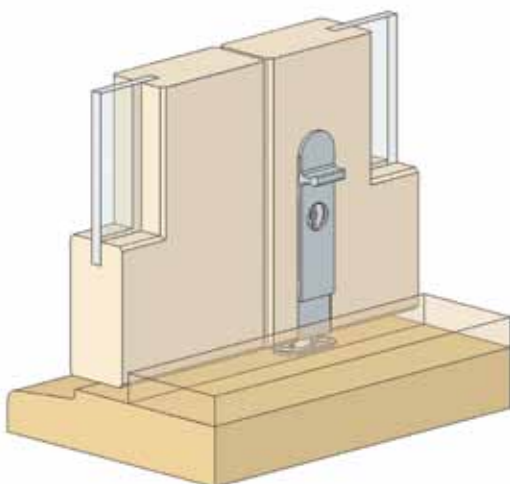
max wind load	440lb (200kg) force
min door thickness	1' 3/8" (35mm)
security	keyed
dropbolt lengths	100mm
throw length	3/4" (20mm)
finishes	PVD brass* brushed metallic*

\*DM keyed and non-keyed available by special order.

DM Dropbolt is suitable for locking casement, awning, sliding and folding windows. At 100mm long, it is half the size of the DM bolt and is designed to flush-mount into the window frame with minimal visual impact. DM can be re-keyed to other window locks in the house by any professional locksmith.

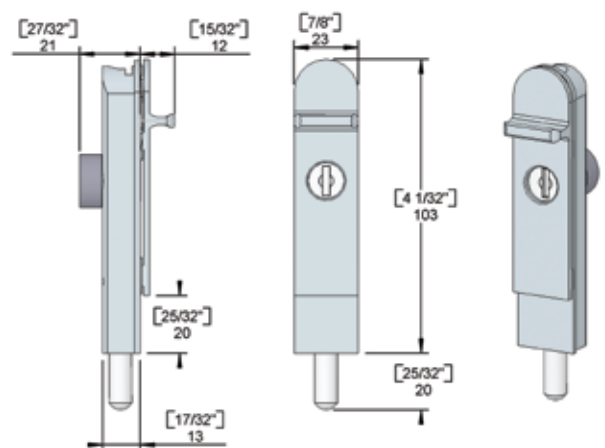


### Architectural Detail



Patent granted

### DM dropbolt assembly

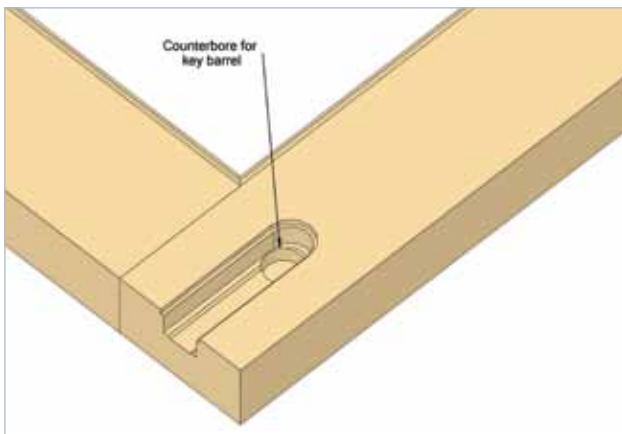
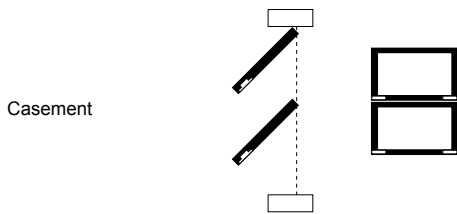
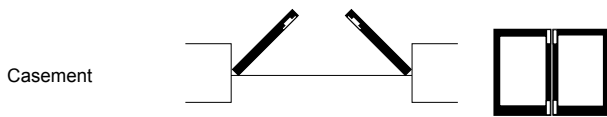


MI-001.DXF



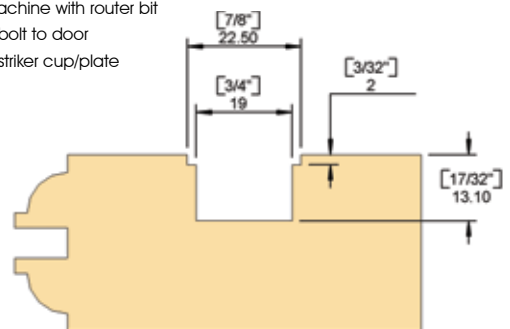
## INSTALLATION

Dropbolts locations in some typical configurations



### Installation




1. machine with router bit
2. fit bolt to door
3. fit striker cup/plate




MI-002.DXF

## Centor DM Dropbolt CONTINUED

### DM / KEYED

PART	PRODUCT CODE	DESCRIPTION
	DBMI100KRTG	100mm dropbolt, keyed, PVD brass
	DBMI100KRN	100mm dropbolt, keyed, natural anodized
	DBMI100KRX	100mm dropbolt, keyed, brushed metallic
	DBMIRB	router bit
	DBMICL	moulded plastic cup

### DM / NON-KEYED

PART	PRODUCT CODE	DESCRIPTION
	DBMI100NRTG	100mm dropbolt, non-keyed, PVD brass

DM keyed and non-keyed available by special order.



## Centor DS Dropbolt

Only 1' 1/2" (36mm) in width, Centor DS is the ideal dropbolt for tall timber windows with narrow framing. The extended 11' 3/4" (300mm) barrel means the hand-grip is within reach whether placed at the top of tall windows or behind furniture.

### DS SPECIFICATIONS

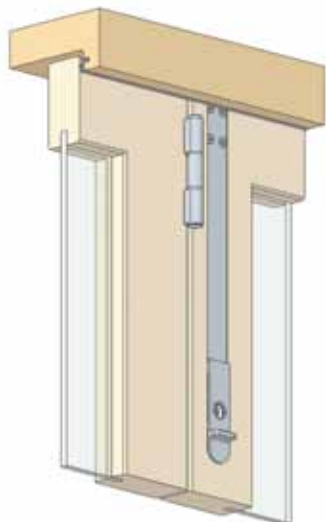
max wind load	440lb (200kg) force
min door thickness	1' 3/8" (35mm)
security	keyed
dropbolt lengths	300mm
throw length	3/4" (20mm)
finishes	natural anodized* black powdercoat*

\*DS available by special order.

The 11' 3/4" (300mm) length of the DS Dropbolt makes it an ideal bolt to install in tall windows, or in windows where furniture such as benches restrict accessibility. The slim profile of the DS makes it ideal for timber windows with narrow framing. The cylinder can be re-keyed to other window locks in the house by a professional locksmith.

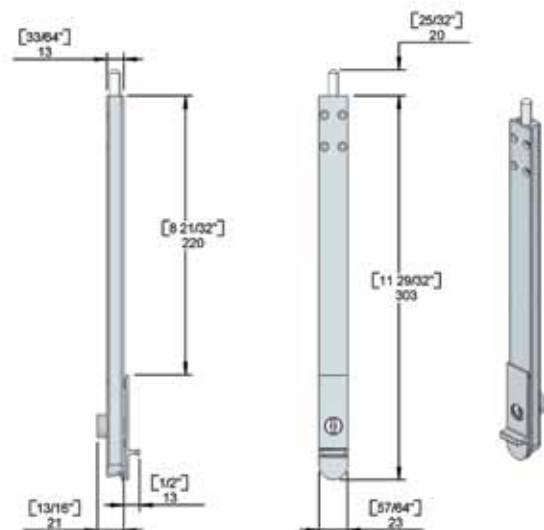


### Architectural Detail



Patent granted

### DH dropbolt assembly

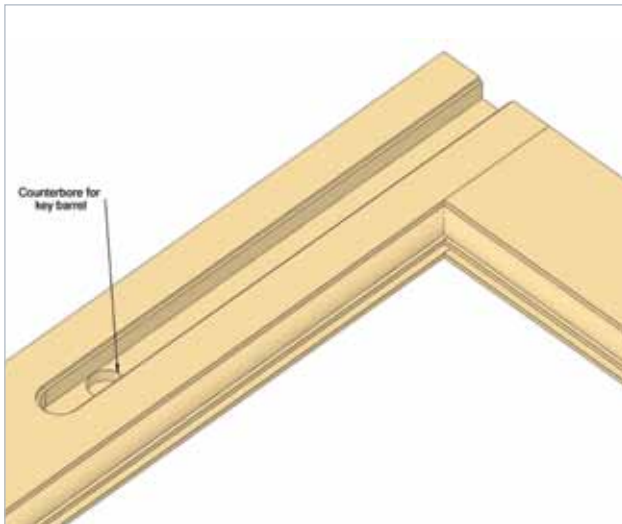
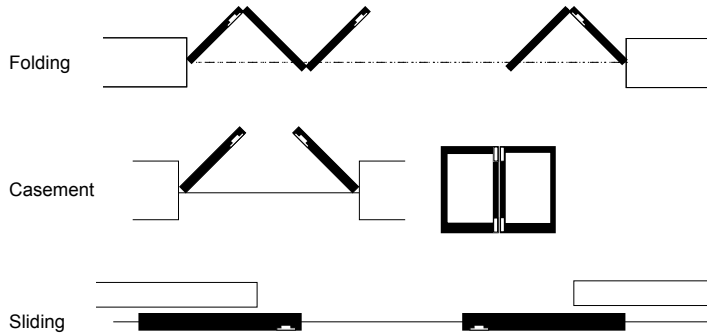


SO-001.DXF

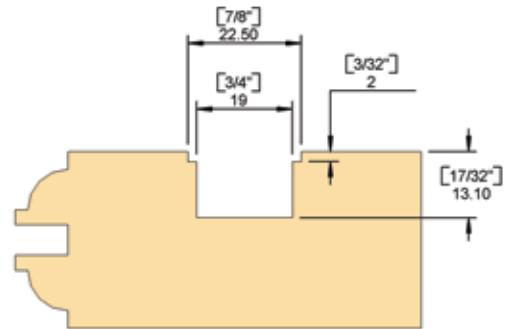
# Centor DS Dropbolt CONTINUED

## INSTALLATION

Dropbolts locations in some typical configurations






- Installation
1. machine with router bit
  2. fit bolt to door
  3. fit striker cup/plate



SO-002.DXF

## DS / KEYED

PART	PRODUCT CODE	DESCRIPTION
	DBSO300KRN	300mm dropbolt, keyed, natural anodized
	DBSO300KRL	300mm dropbolt, keyed, black powdercoat
	DBMIRB	router bit
	DBMICL	moulded plastic cup

DS keyed available by special order.

While every effort has been made to ensure the accuracy of the information in this publication, Centor assume no responsibility for errors or omissions or any consequences of reliance solely on this publication.





400-300-030-001

**Centor North America Inc.**

966-130 Corporate Blvd  
Aurora, IL 60502  
Toll free (inside US)  
866-255-0008 t +1  
630-957-1000  
f +1 630-957-1001  
mail.us@centor.com  
centorhardware.com

centor®