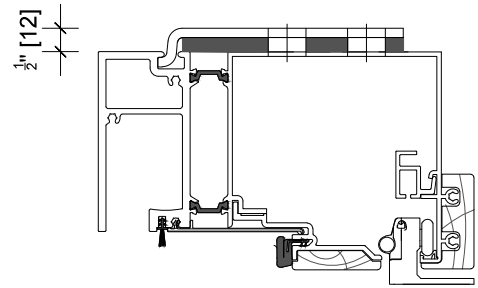
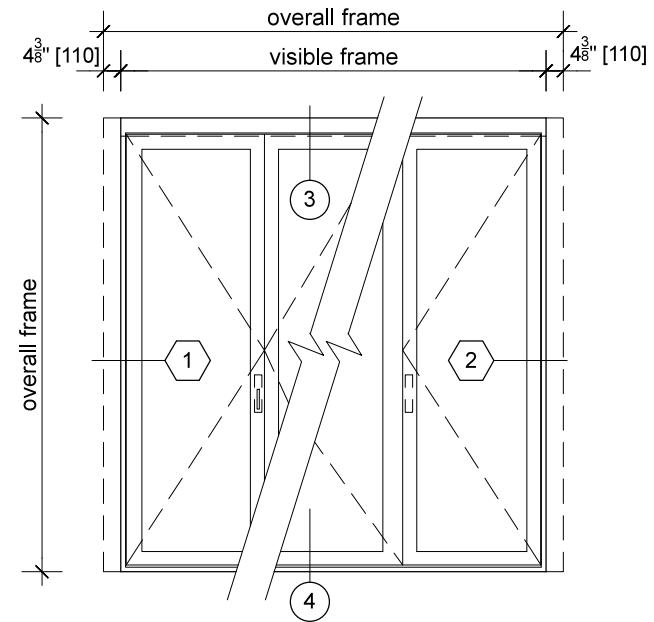


3. head detail



Head support bracket provided where fixing is inboard of the carrier track (folding doors only)
 Door frames wider than 19'8 1/4" [6000mm] are supplied with a joiner to head and sill.

3a. jamb detail



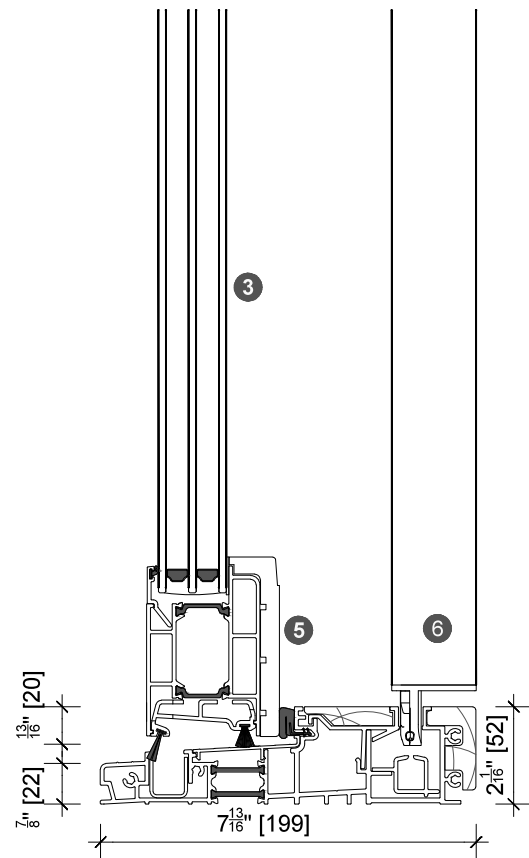
elevation key

plan key

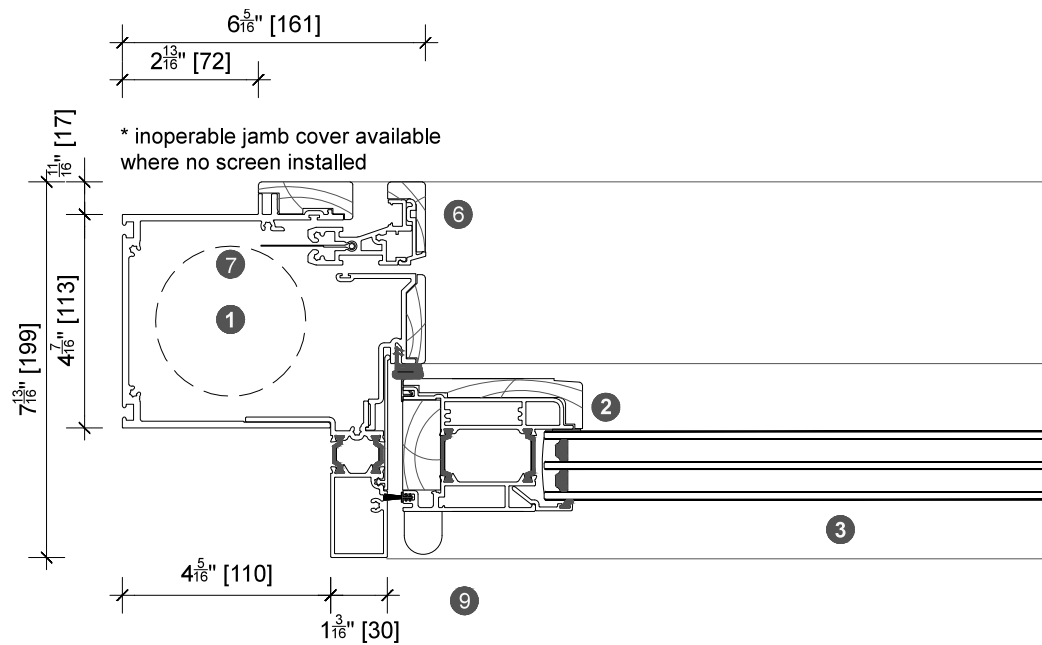
- 1 screen/shade box
- 2 door panel stile
- 3 glazing
- 4 top rail
- 5 bottom rail
- 6 screen stile
- 7 screen/blind
- 8 lever handle
- 9 pivot

Door frames up to 16' (4877mm) in width can be supplied with a different fabric type in each jamb box.
 Door frames wider than 16' (4877mm) are only available with a single fabric type.

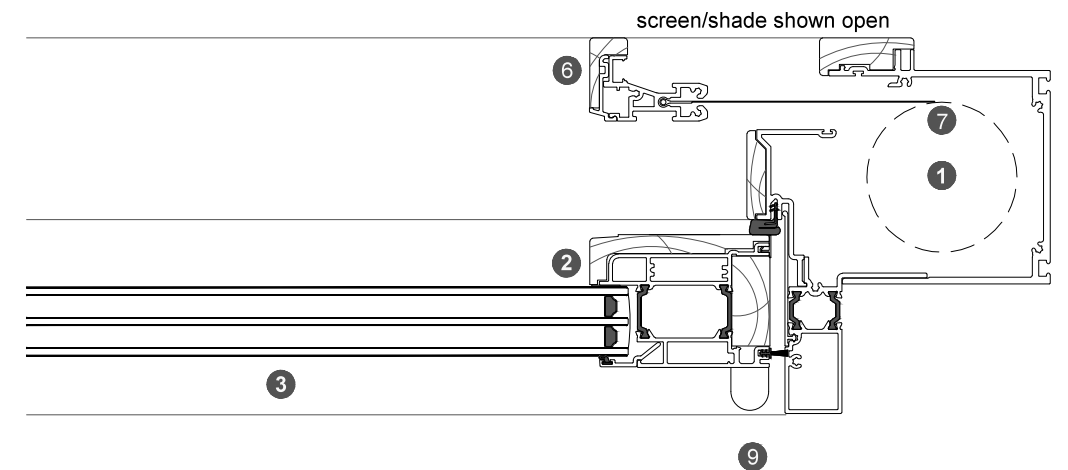
legend



4. sill detail



1. jamb detail



2. jamb detail