

TwinPoint Gen2
WOOD PANELS



TWINPOINT GEN2 INNOVATIONS



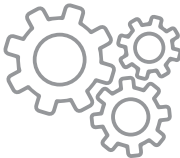
Lockable from inside & out

Keyway on outside and thumb turn on the inside provides access and security previously not available in folding doors



Perfect for two panel & even-panel bifolds

With both egress and ingress capabilities, 2L2R or two-panel bifolds can now be offered



Smaller gear box for maximized compatibility

A smaller gear box means TwinPoint Gen2 suits all stile and profile designs currently using other locks



Strong materials & design

Designed to meet high demands for weather-sealing, security and wind load

ENDURING RELIABILITY

TwinPoint Gen2 lock overview	
Range	TwinPoint Gen2
Security	Keyed/non-keyed
Applications	Folding doors French/casement doors Windows
Bolt throw length	1" (25mm)
Finish	Brushed stainless steel PVD bronze

Centor has forged a reputation for creating the industry's leading window and door systems for over 70 years.

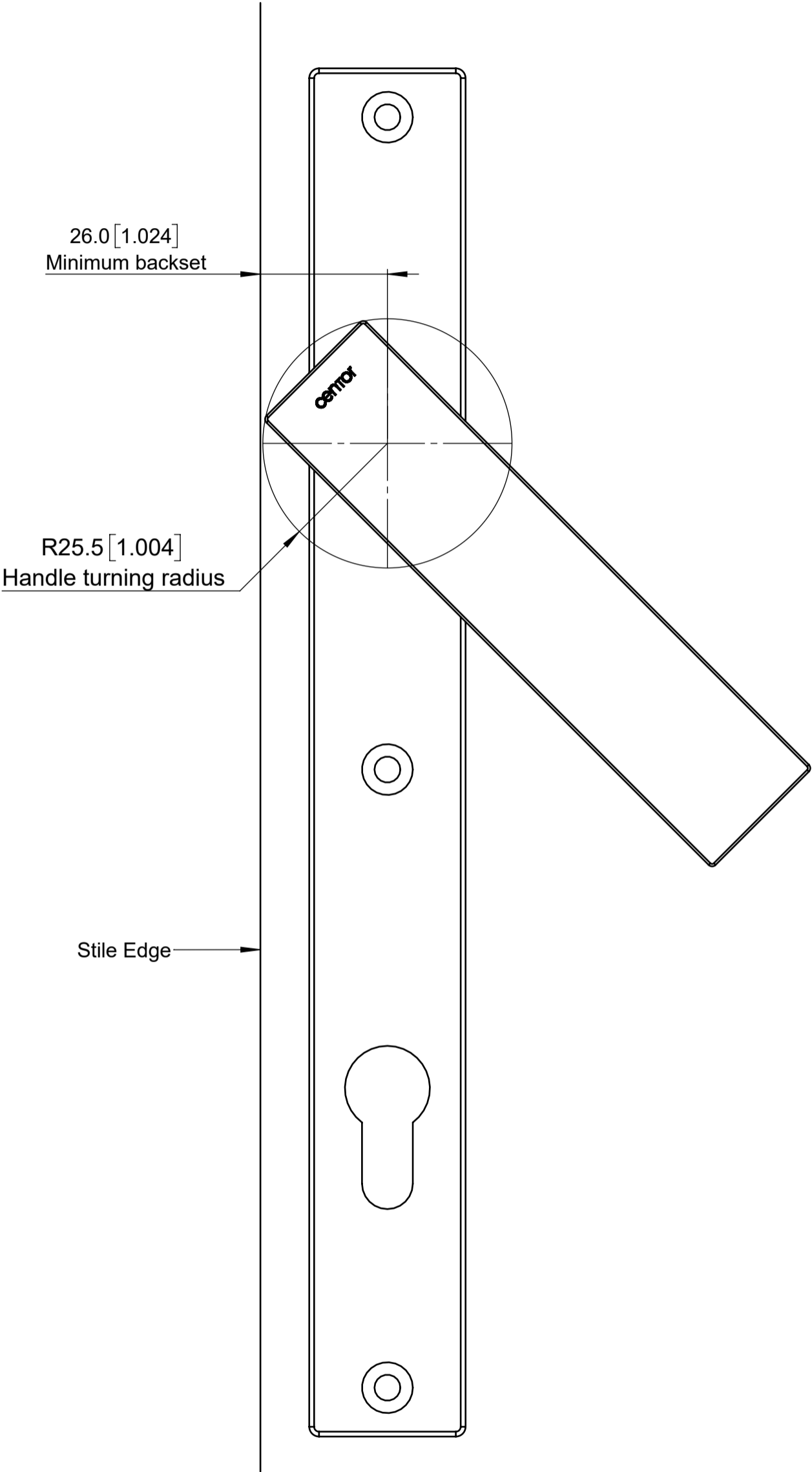
Now with an internal and external lock option providing outside access, the TwinPoint Gen2 locking system can be fitted in 2-panel and even-numbered panel bifolds. In addition, the hardware's new slimmer profile makes it compatible with existing door systems.

Strong materials and design

- A full length bolt cover on stile edge provides reinforcement for improved structural performance
- Designed with robust materials and meeting the increased demands bifolds have for sealing, security and wind load
- Maximized structural performance: the throw bolt is 1" (25mm) allowing maximum penetration into the sill and top track
- Reduced SKU's and quicker installations at a fraction of the cost: new durable handle design reduces the need for an additional handle



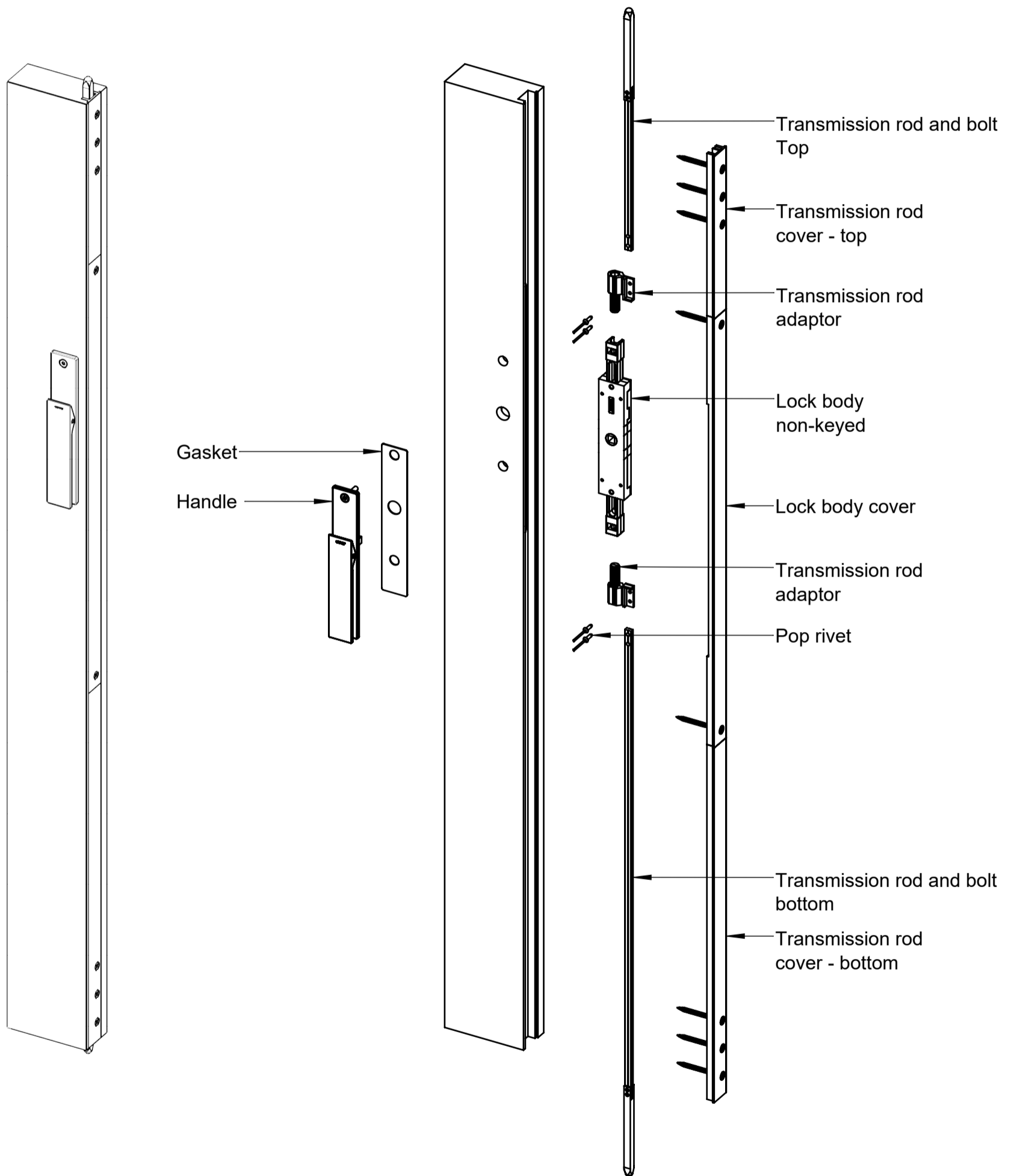
TWINPOINT GEN2
HANDLE BACKSET DETAIL



Keyed handle shown. Same requirement apply to non-keyed version.

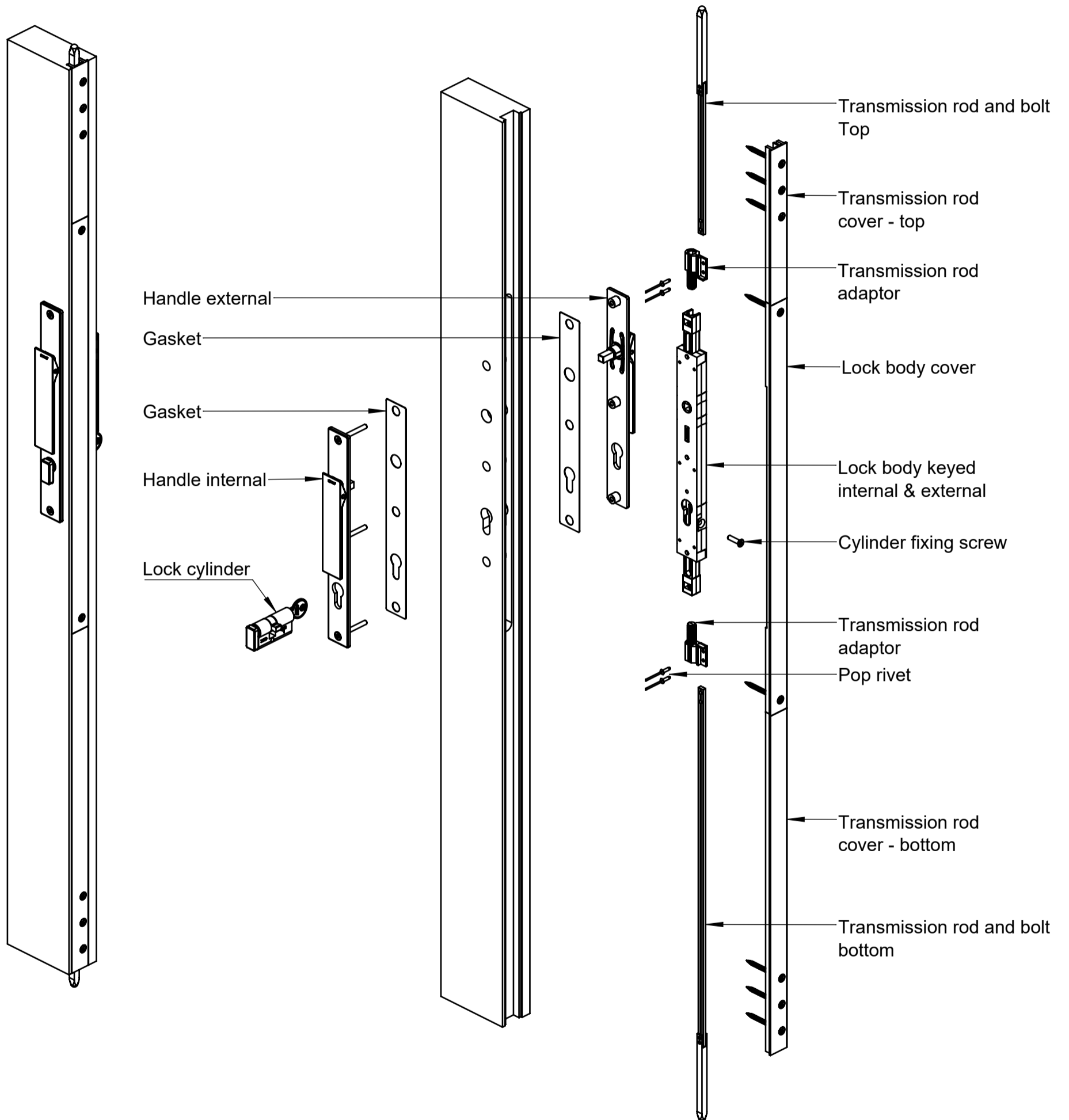
PRODUCT DETAIL

Wood panels with TPLGen2 non-keyed lock



PRODUCT DETAIL

Wood panels with TPLGen2 keyed lock



TRANSMISSION COVER AND ROD LENGTH FORMULA

Non-keyed lock

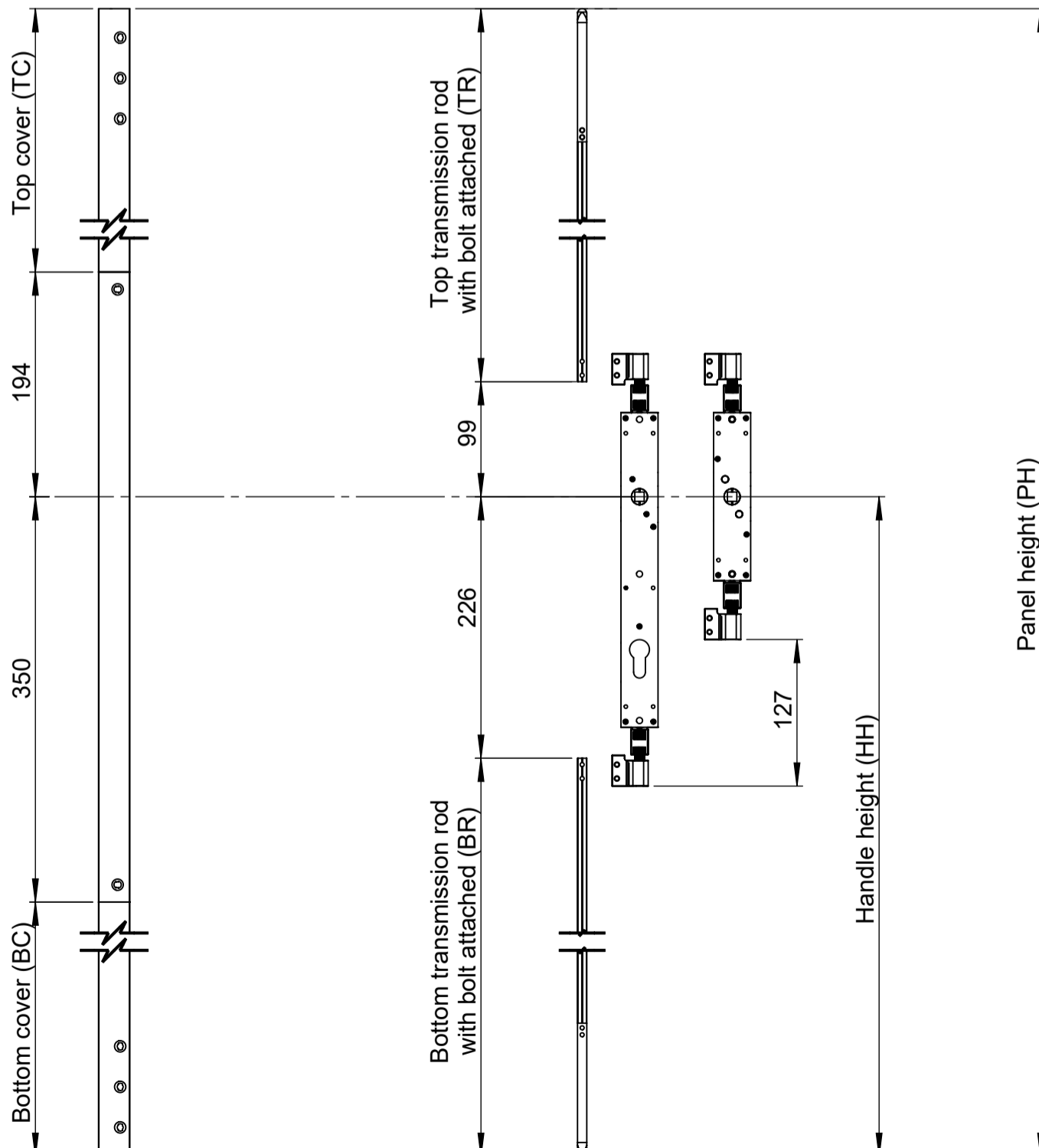
Cover	Top	$TC = PH - HH - 194$
	Bottom	$BC = HH - 350$
Transmission rod with bolt attached	Top	$TR = PH - HH - 99$
	Bottom	$BR = HH - 99$
Handle height	Maximum	1029

Keyed lock

Cover	Top	$TC = PH - HH - 194$
	Bottom	$BC = HH - 350$
Transmission rod with bolt attached	Top	$TR = PH - HH - 99$
	Bottom	$BR = HH - 226$
Handle height	Maximum	1156

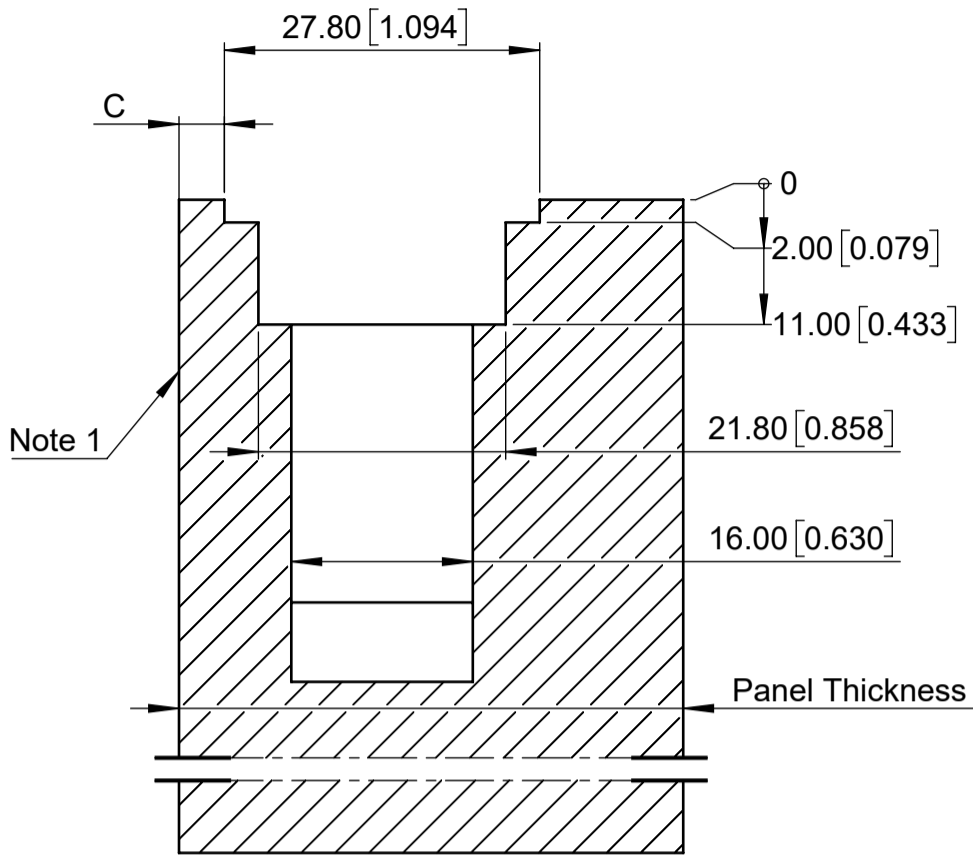
Notes:

- All dimensions in mm.



ROUTING DETAIL

TwinPoint Gen2 lock body - non keyed

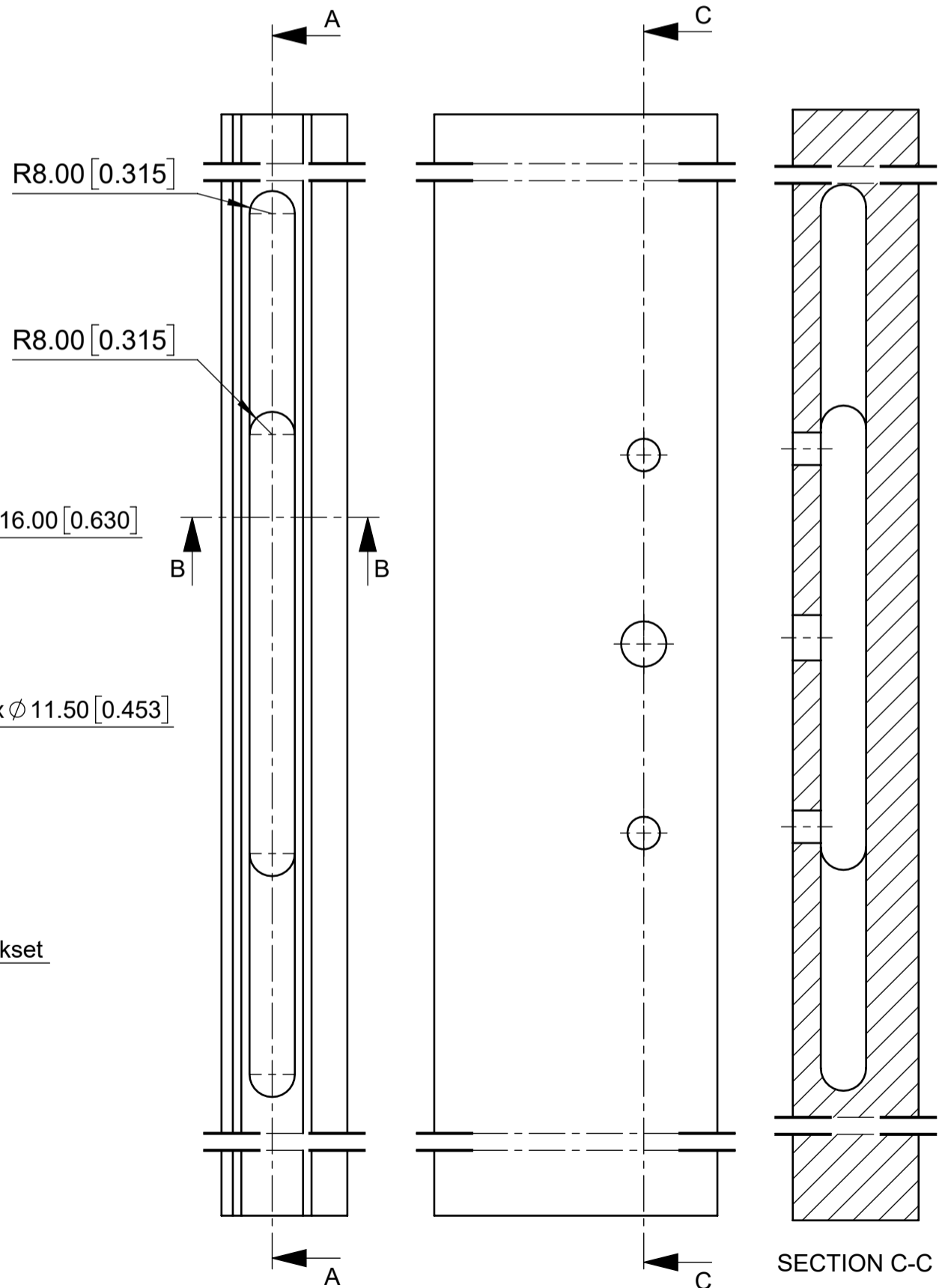
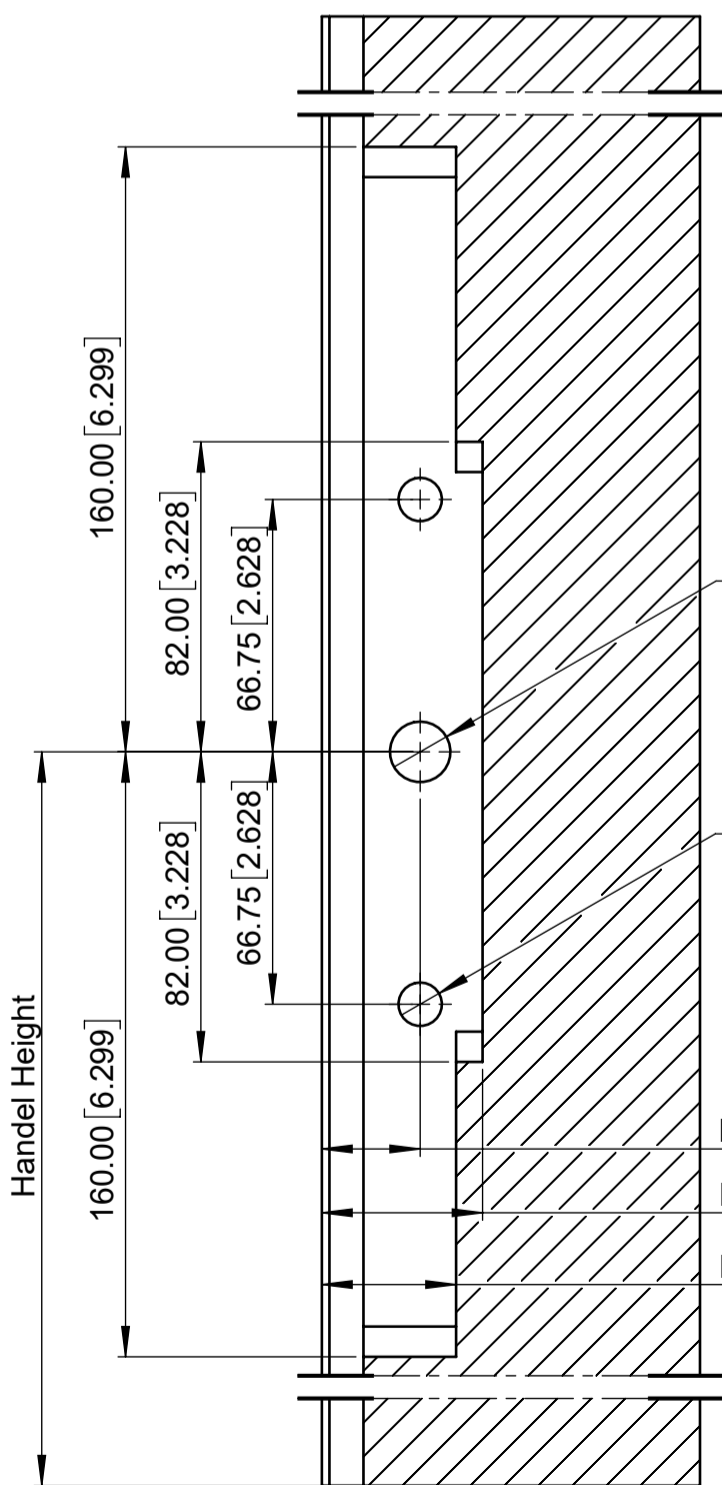


Backset (mm)	D1 (mm)	D2 (mm)
26.0	42.5	35.5
40.0	56.5	49.5

Backset (inch)	D1 (inch)	D2 (inch)
1.024	1.673	1.398
1.575	2.224	1.949

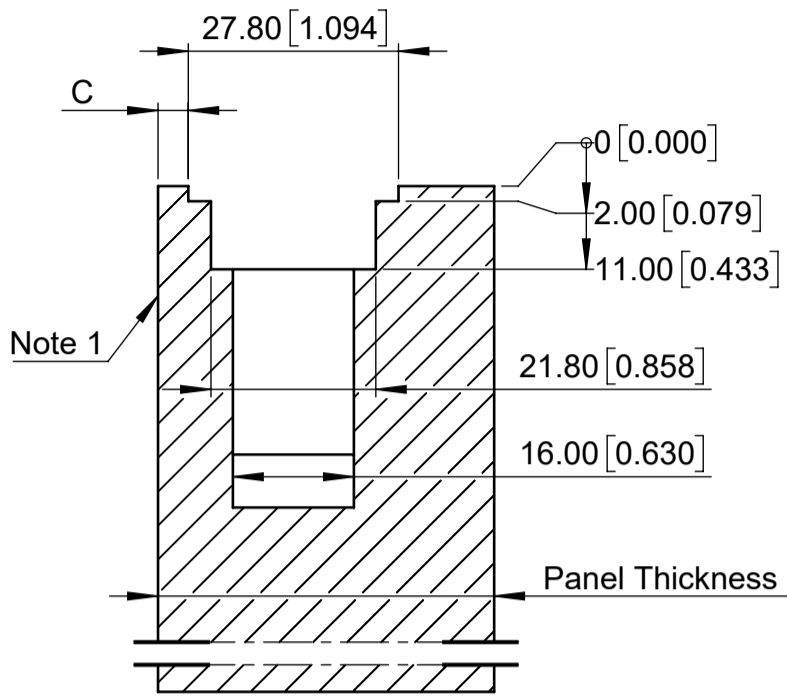
Notes:

1. Inside for outward opening or outside for inward opening.
2. Dimension C refer to page 12.



ROUTING DETAIL

TwinPoint Gen2 lock body - keyed

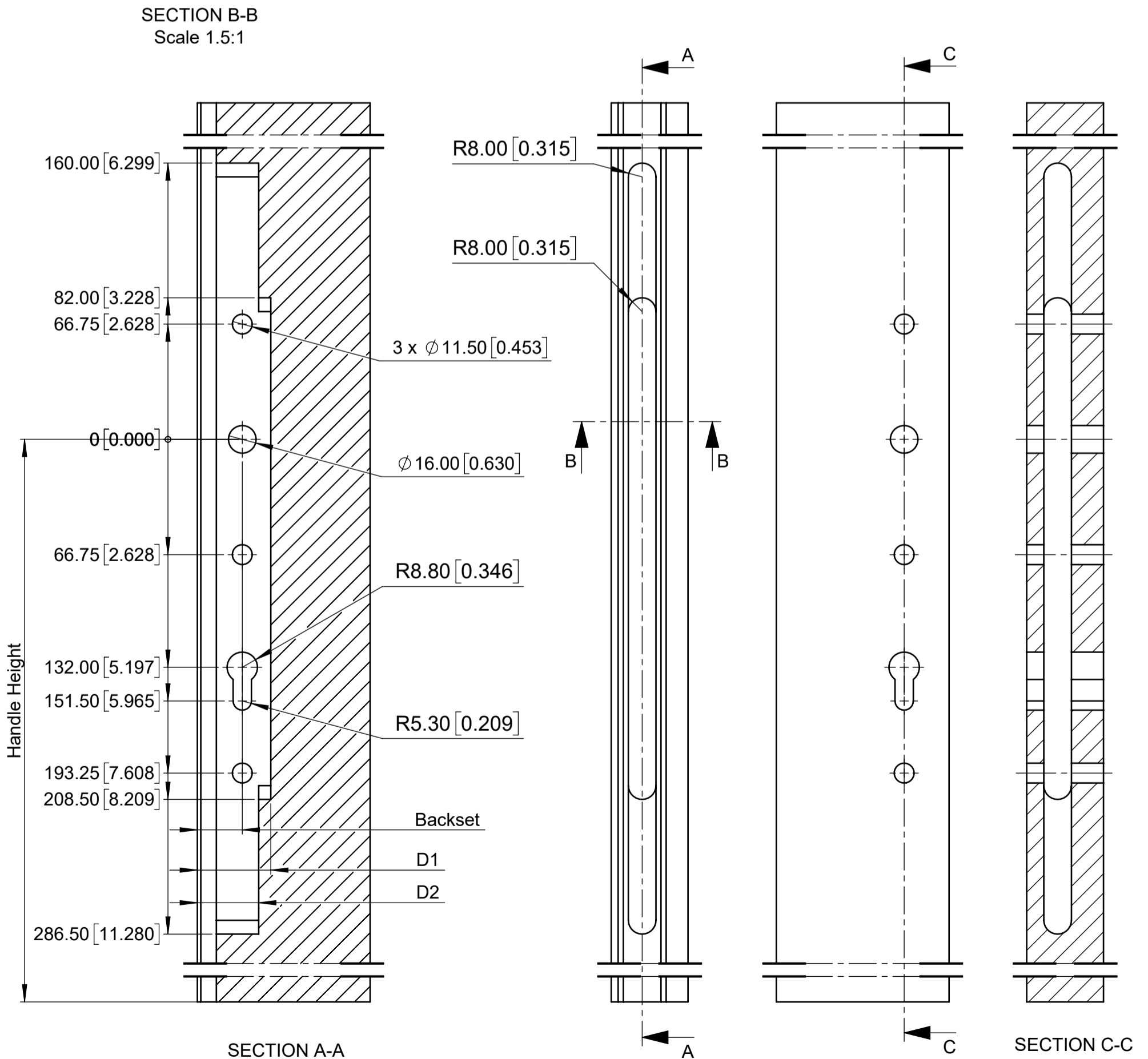


Backset (mm)	D1 (mm)	D2 (mm)
26.0	42.5	35.5
40.0	56.5	49.5

Backset (inch)	D1 (inch)	D2 (inch)
1.024	1.673	1.398
1.575	2.224	1.949

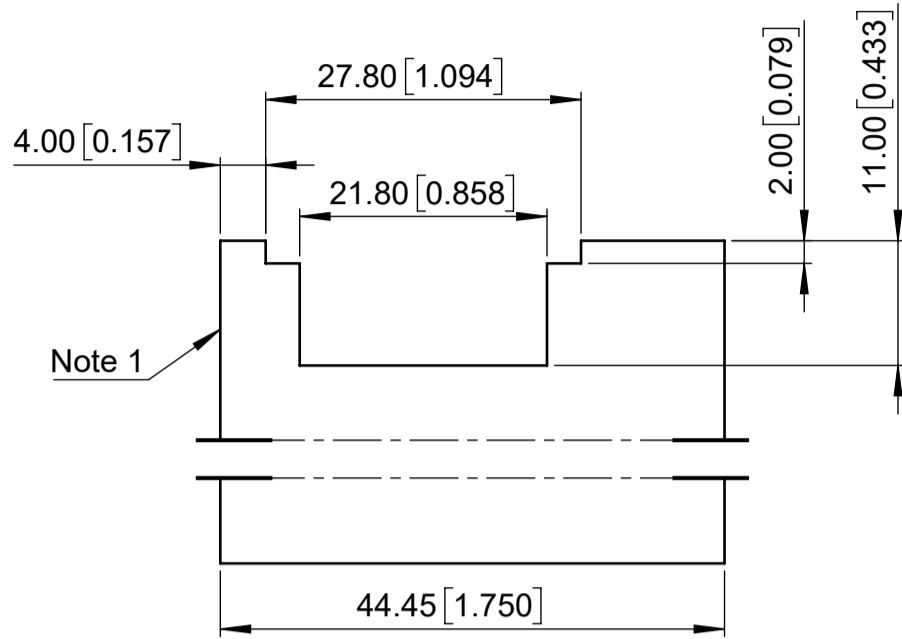
Notes:

1. Inside for outward opening or outside for inward opening.
2. Dimension C refer to page 12.

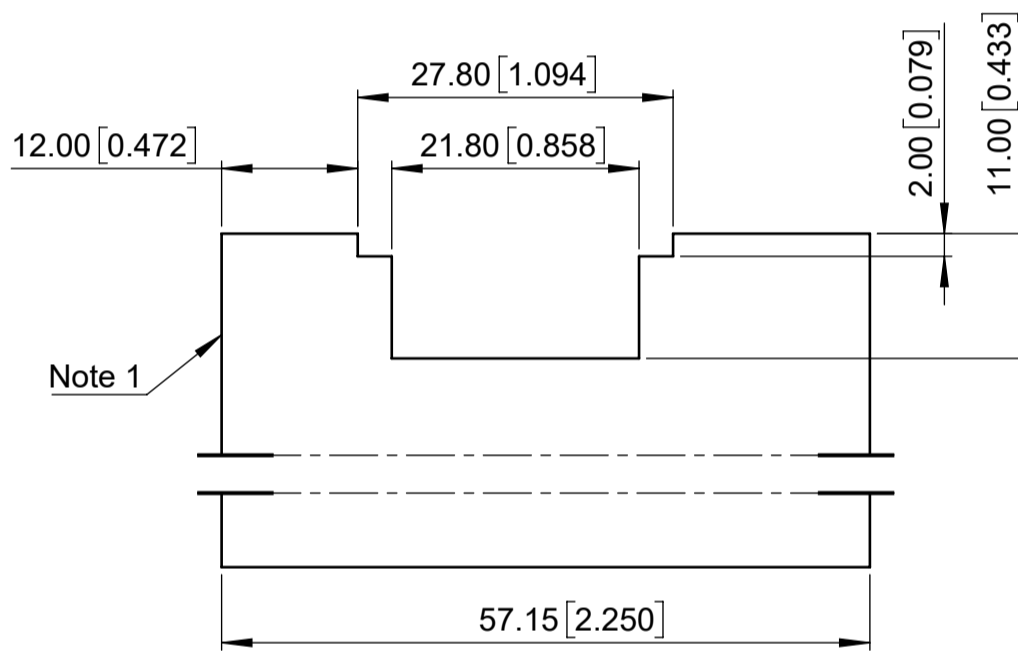


ROUTING DETAIL

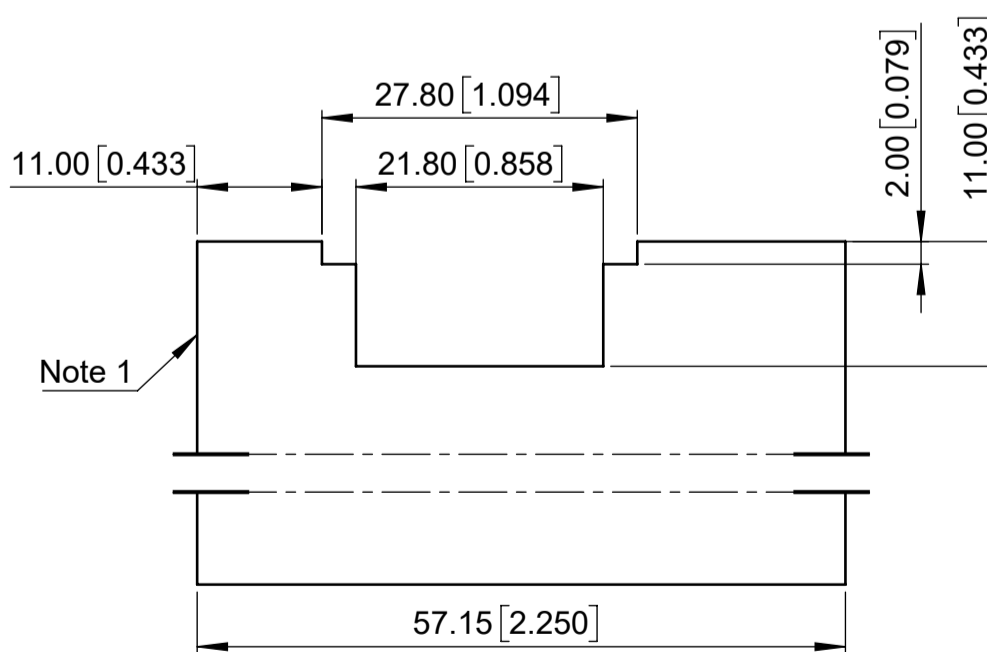
TwinPoint Gen2 cover - non-keyed and keyed locks



Routing suit E2, E3 and F3 hardware systems



Routing suit E3 and F3 hardware systems

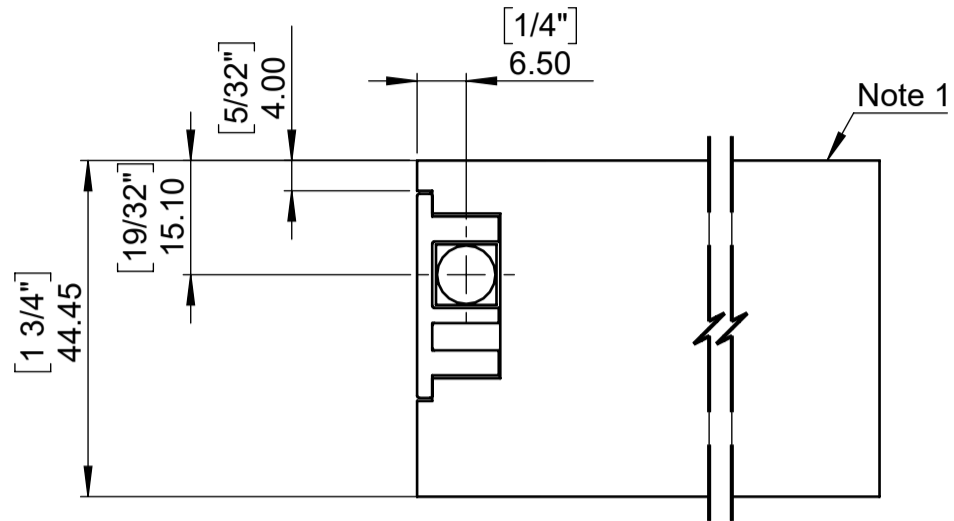


Routing suit E4 hardware system

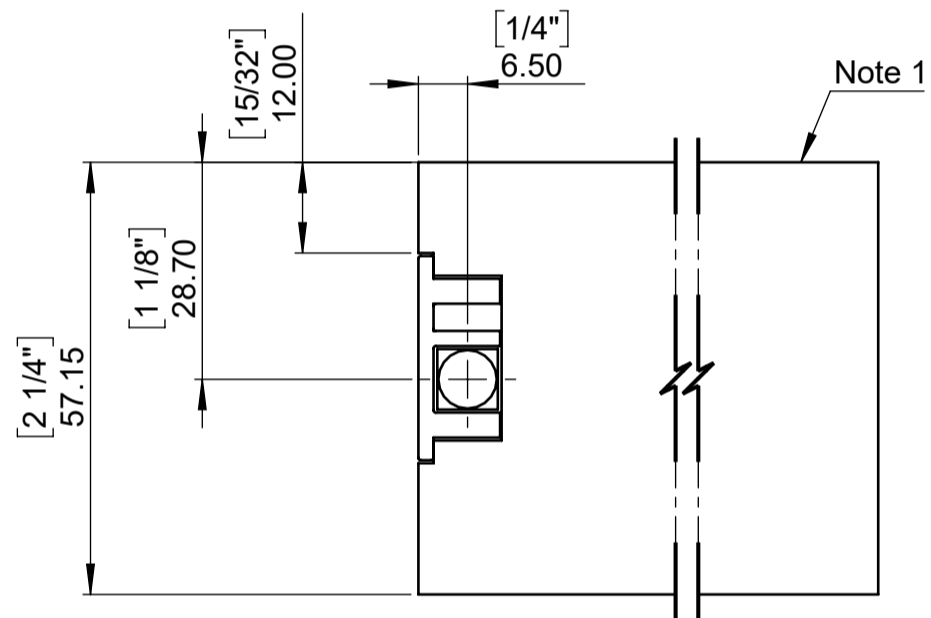
Notes:

1. Inside for outward opening or outside for inward opening.

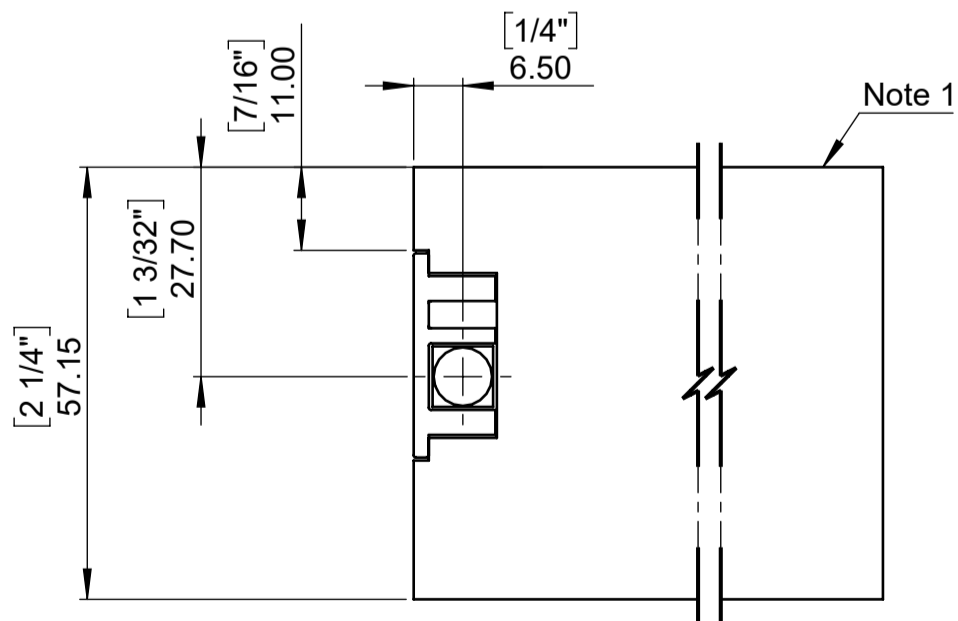
BOLT LOCATION IN STILE



Bolt location for E2, E3 and F3 hardware



Bolt location for E3 and F3 hardware

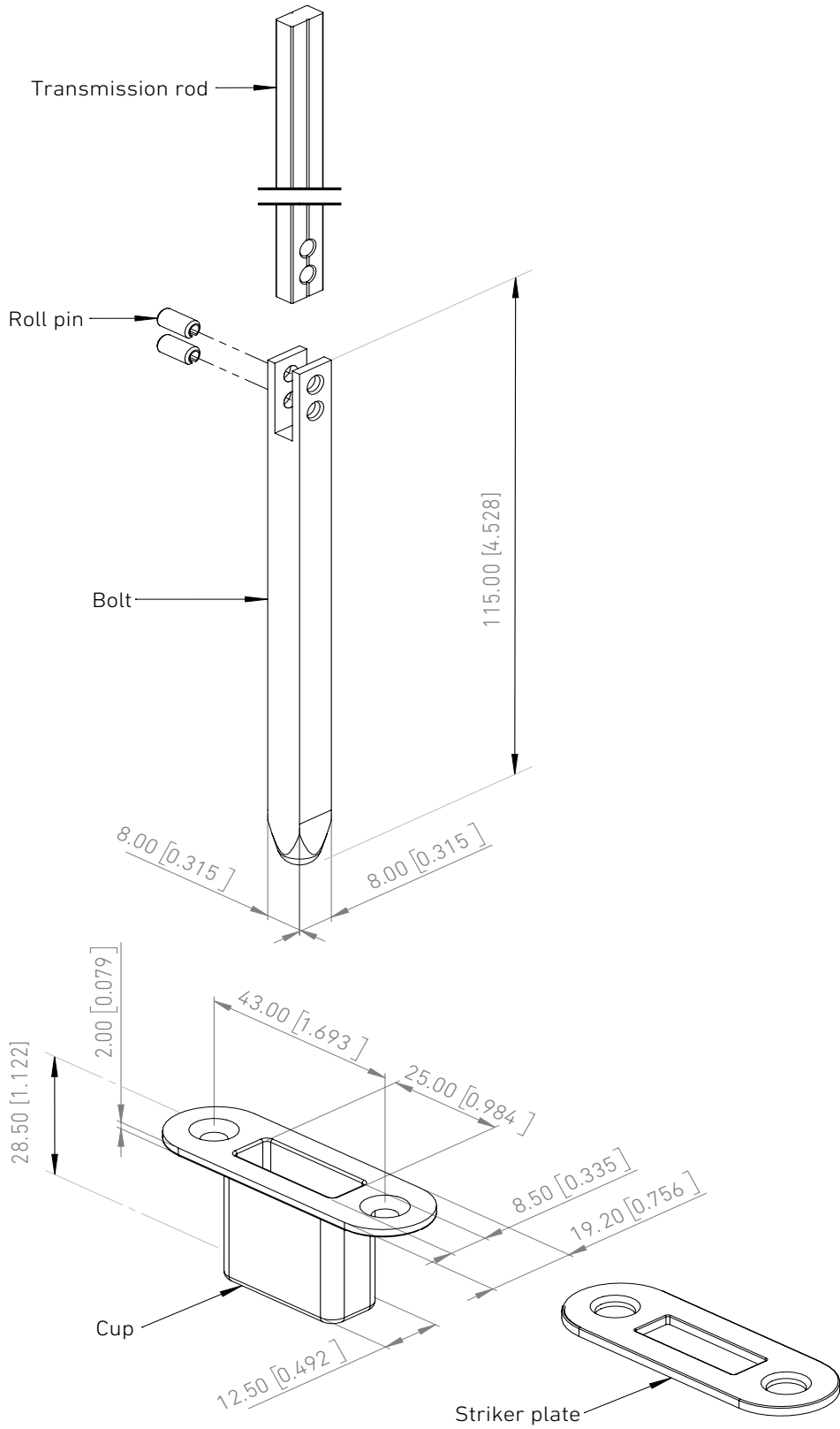


Bolt location for E4 hardware

Notes:

1. Inside for outward opening or outside for inward opening.

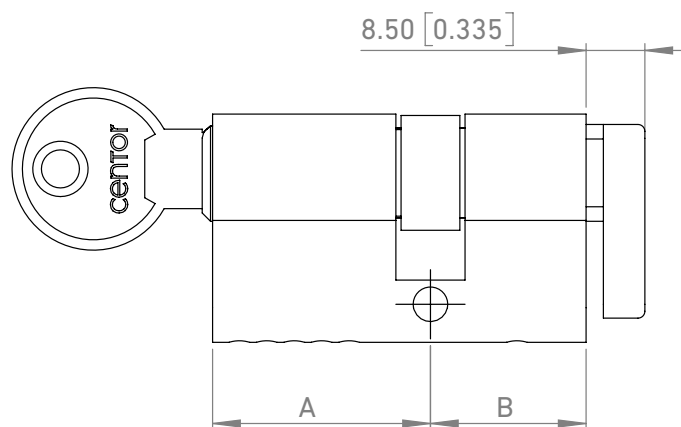
BOLT AND CUP/STRIKER PLATE DETAIL



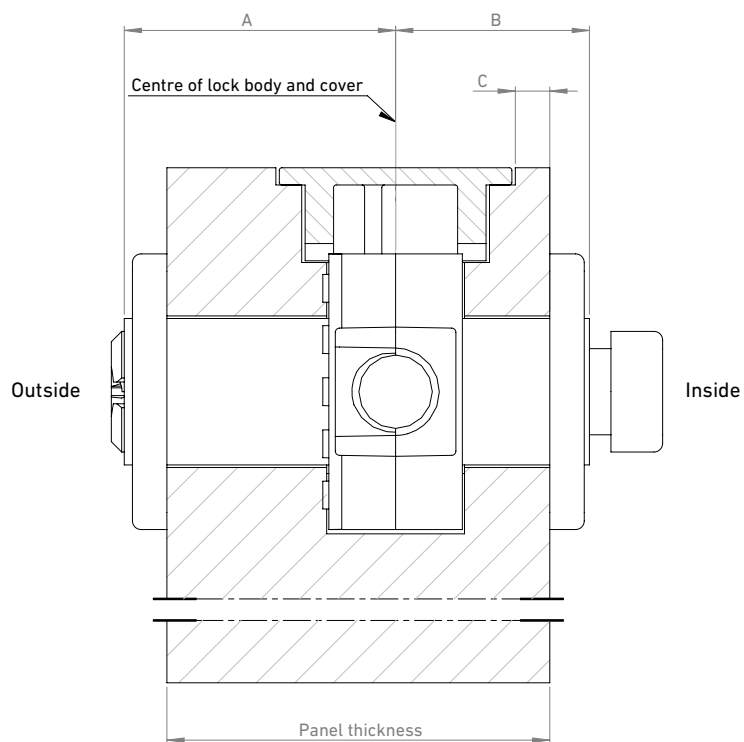
KEY CYLINDER DETAIL

Access panel

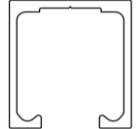
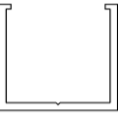
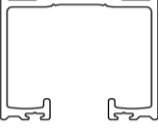

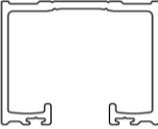

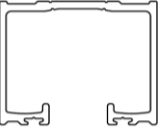
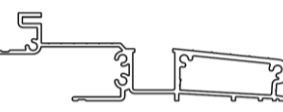
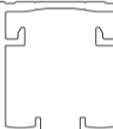



Cylinder Size



Panel Thickness	Hardware System	Cylinder Size		
		C	A	B
1 3/4" (44.45mm)	E2, E3 & F3	0.157" (4.0mm)	1.240" (31.5mm)	0.886" (22.5mm)
2 1/4" (57.15mm)	E3 & F3	0.472" (12.0mm)	1.437" (36.5mm)	1.201" (30.5mm)
2 1/4" (57.15mm)	E4	0.433" (11.0mm)	1.437" (36.5mm)	1.201" (30.5mm)



Hardware component selection

Folding Hardware	Head	Sill	Panel			
			1 3/4"		2 1/4"	
			Outward	Inwards	Outward	Inwards
E2	14TA 	E22FCR 	Non-keyed keyed	Non-keyed	n/a	n/a
E3	E3TA 	E22FCR 	Non-keyed keyed	Non-keyed	Non-keyed keyed	Non-keyed
	E3TA 	E3CSLO 	Non-keyed keyed	Non-keyed	n/a	n/a
	E3TA 	E3CS134N 	Non-keyed keyed	Non-keyed	n/a	n/a
E4	E4TA 	E4FC 	n/a	n/a	Non-keyed keyed	Non-keyed
F3	FR3HTC 	FRSB 	Non-keyed keyed	Non-keyed	Non-keyed keyed	Non-keyed

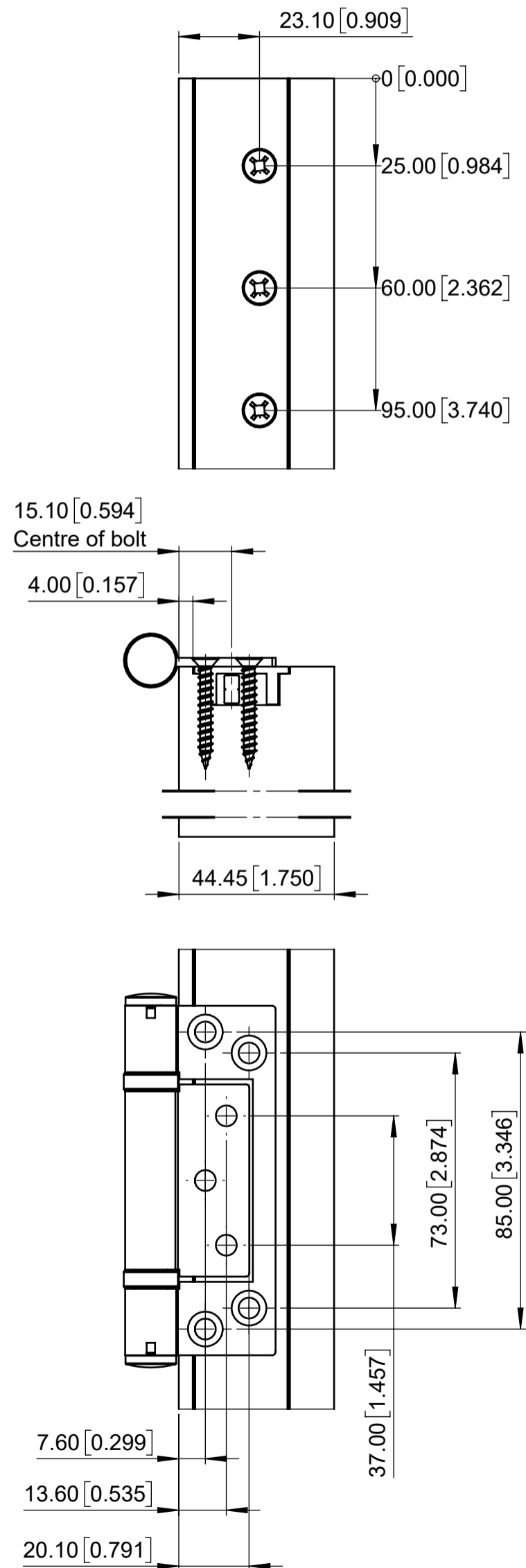
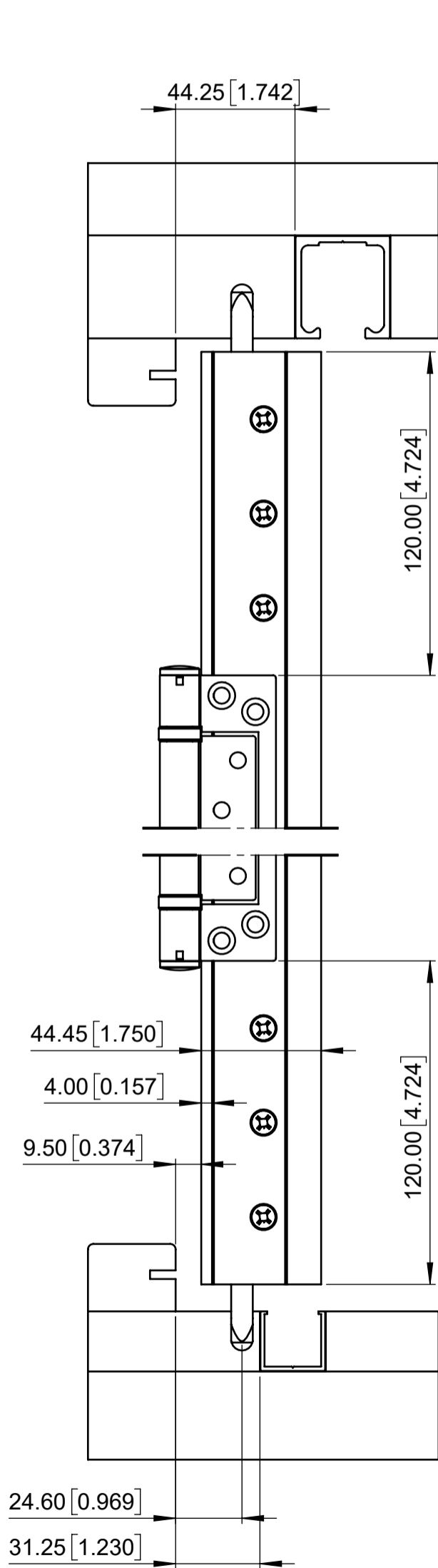
Handle and lock cylinder selection

Panel thickness	Opening	Handle		Cylinder
		Double handle keyed	Single handle non-keyed	
1 3/4"	Outward	TPL-001-AE-*	TPL-002-C-*	TPL-019-*
	Inward	n/a	TPL-002-G-*	n/a
2 1/4"	Outward	TPL-001-EG-*	TPL-002-G-*	TPL-020-*
	Inward	n/a	TPL-002-I-*	n/a

ARCHITECTURAL DETAIL

Centor E2 folding hardware

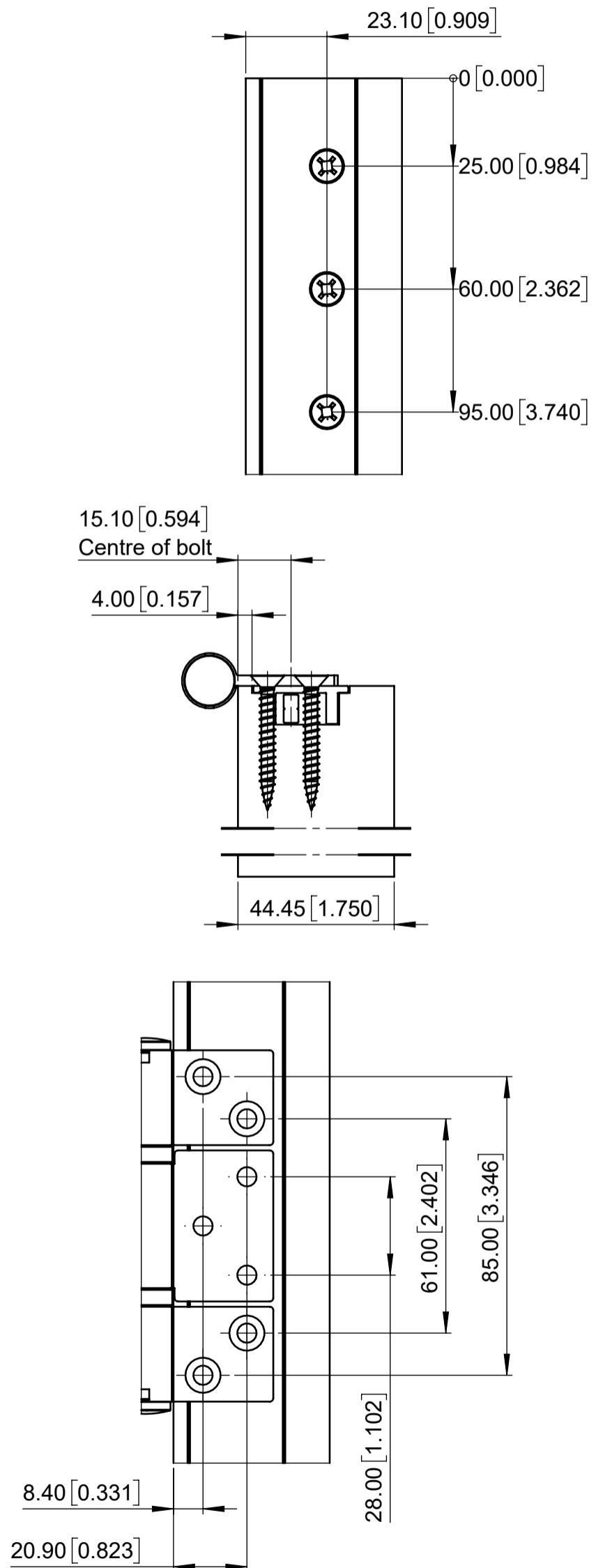
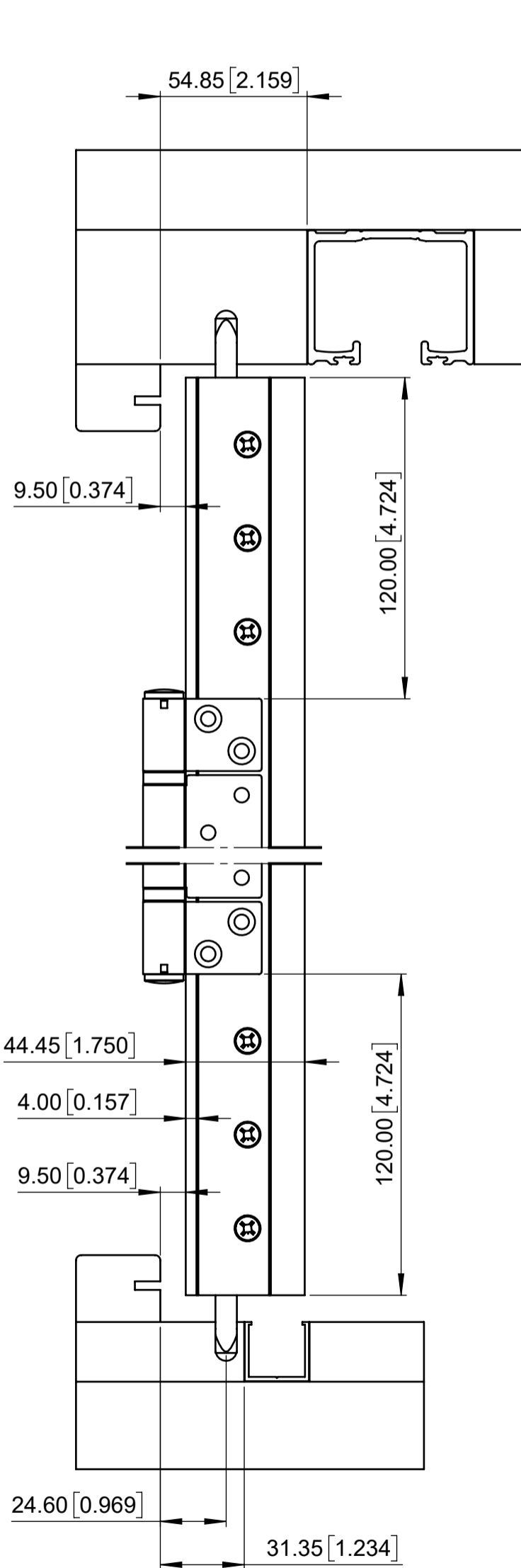
Panel	1 3/4"
Head	14TA
Sill	E22FCR



ARCHITECTURAL DETAIL

Centor E3 folding hardware

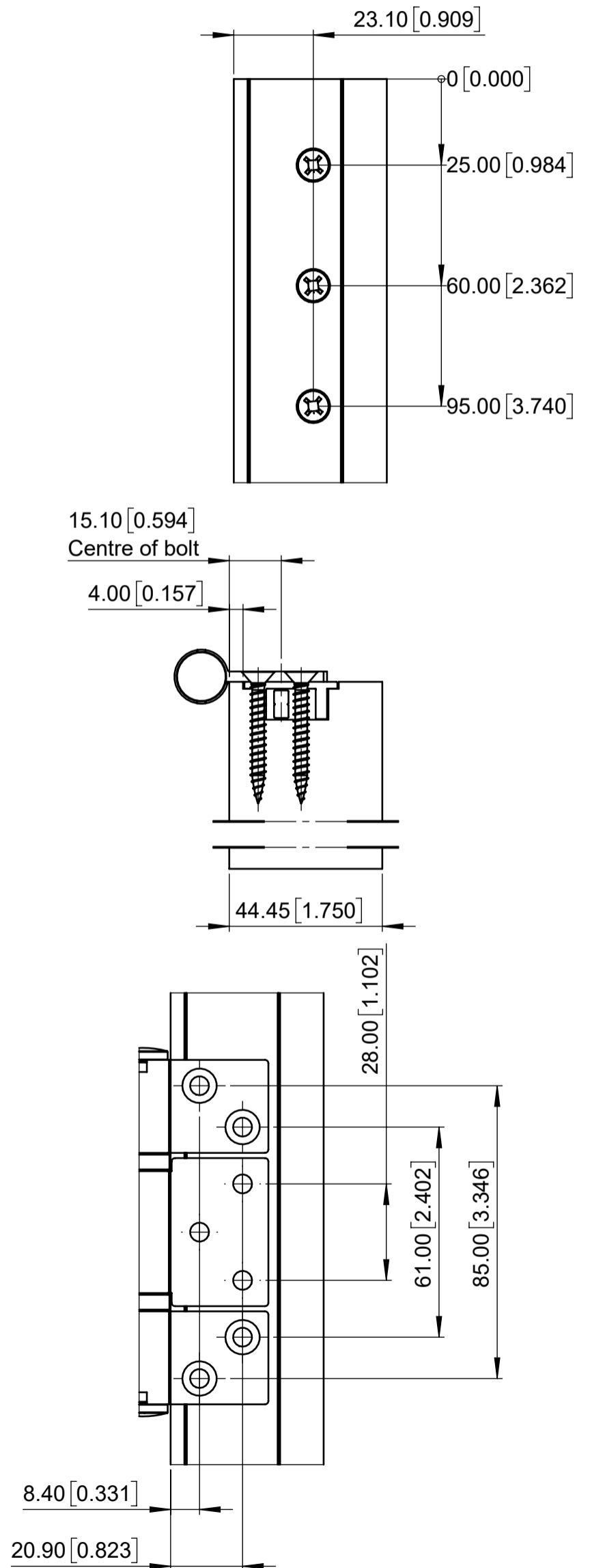
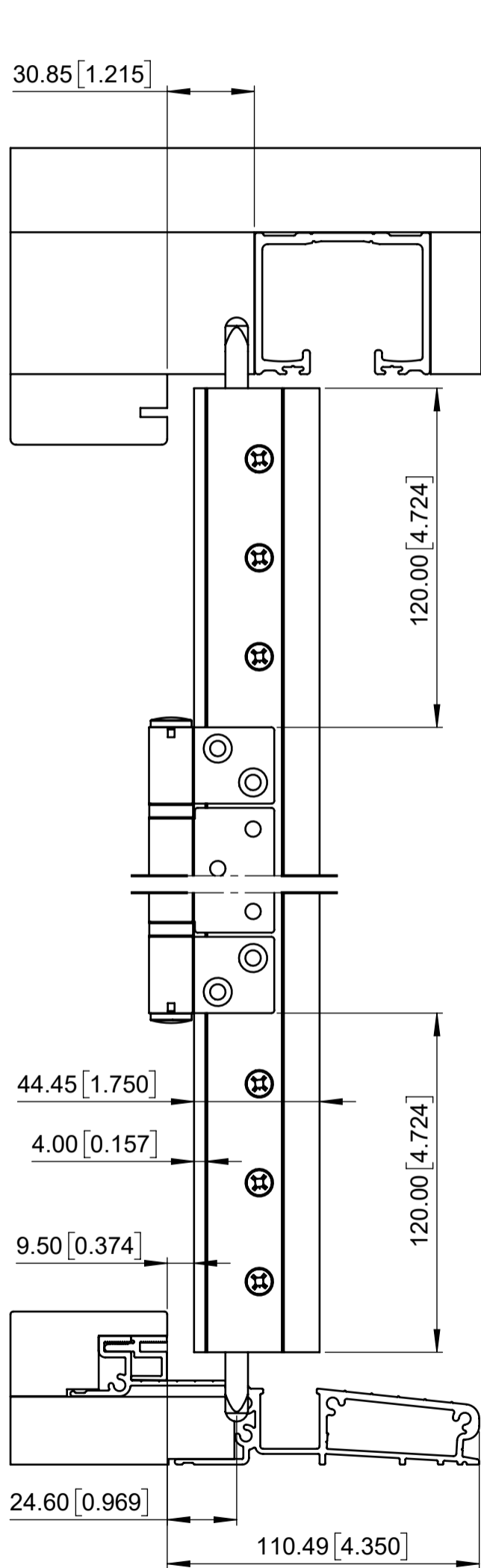
Panel	1 3/4"
Head	E3TA
Sill	E22FCR



ARCHITECTURAL DETAIL

Centor E3 folding hardware

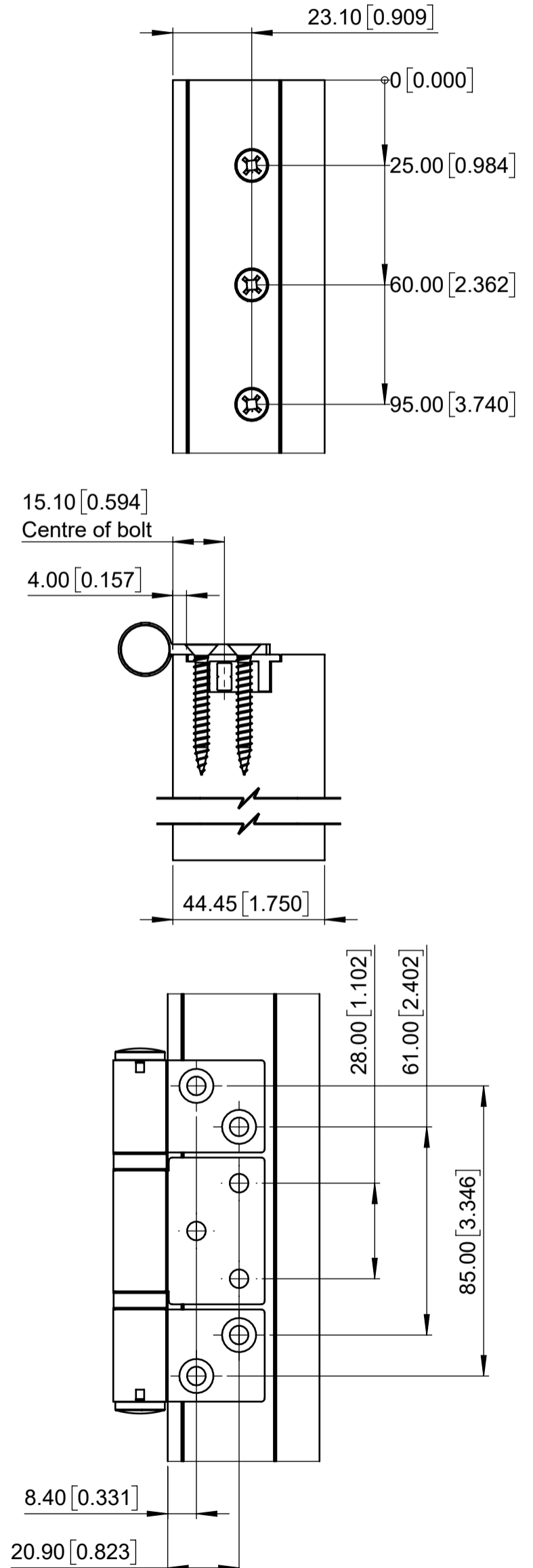
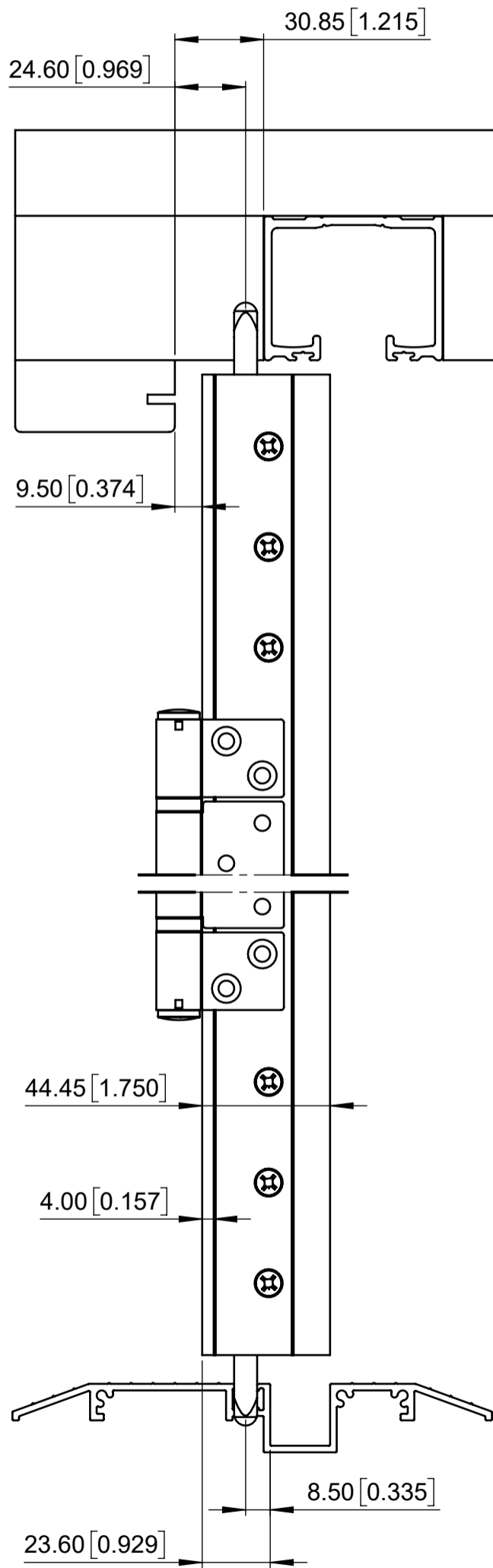
Panel	1 3/4"
Head	E3TA
Sill	E3CS



ARCHITECTURAL DETAIL

Centor E3 folding hardware

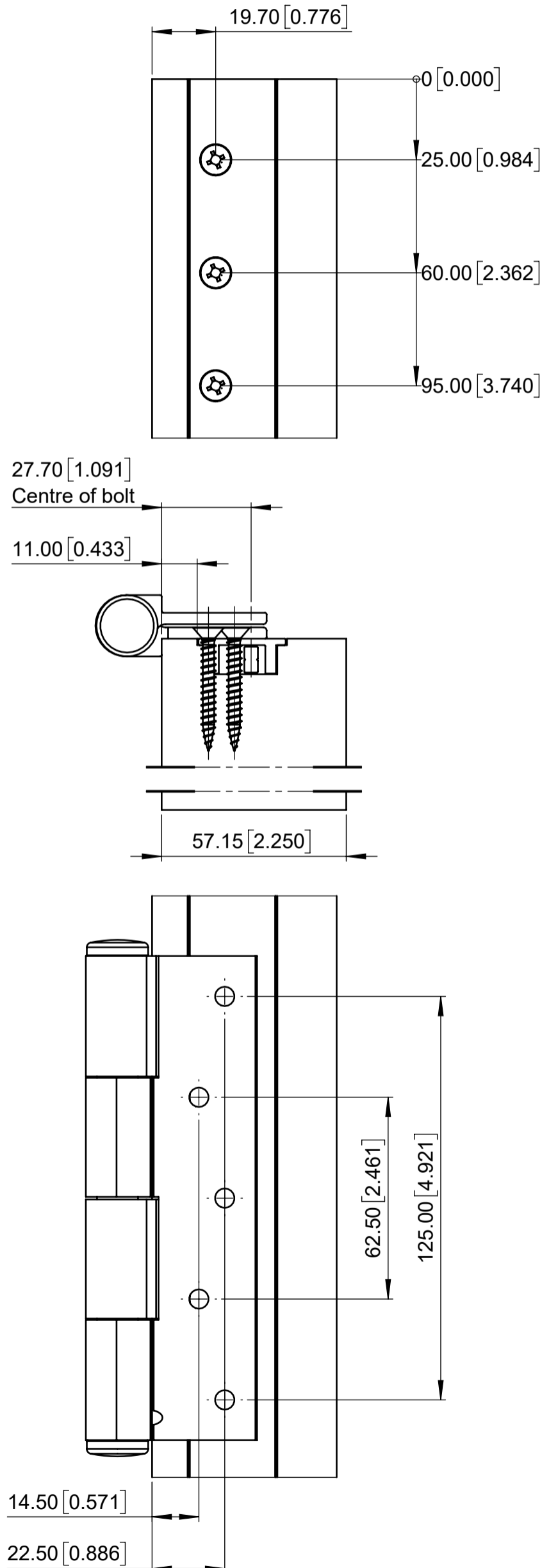
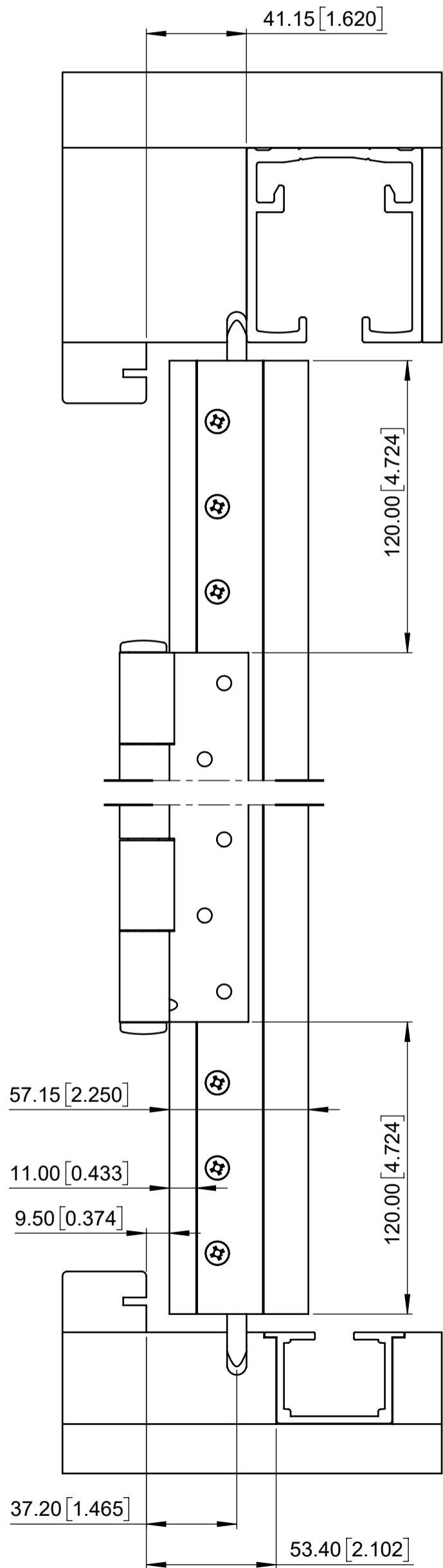
Panel	1 3/4"
Head	E3TA
Sill	E3CSLO



ARCHITECTURAL DETAIL

Centor E4 folding hardware

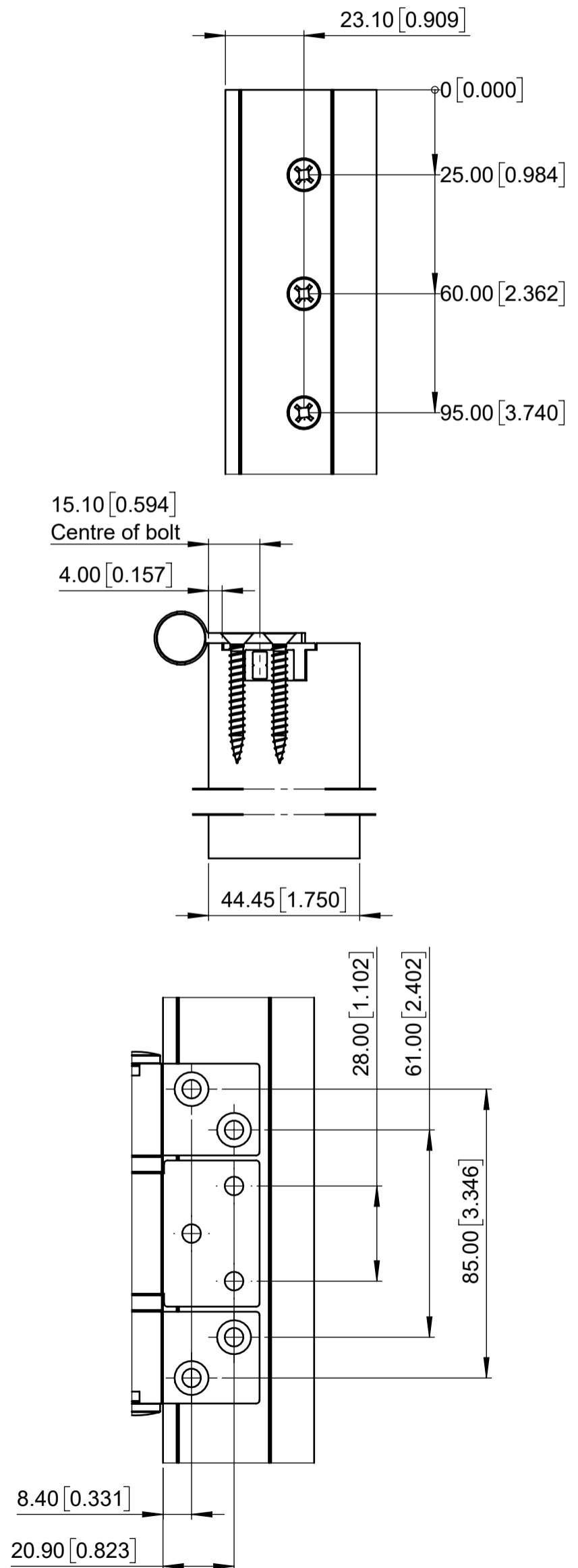
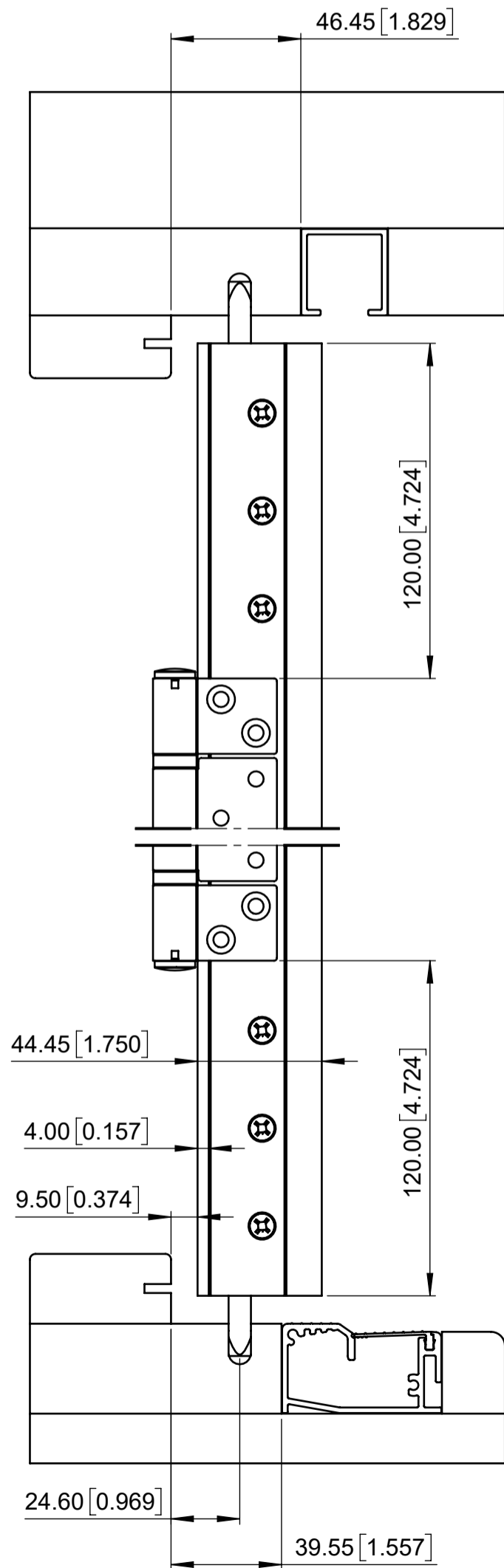
Panel	2 1/4"
Head	E4T
Sill	E4FC



ARCHITECTURAL DETAIL

Centor F3 folding hardware

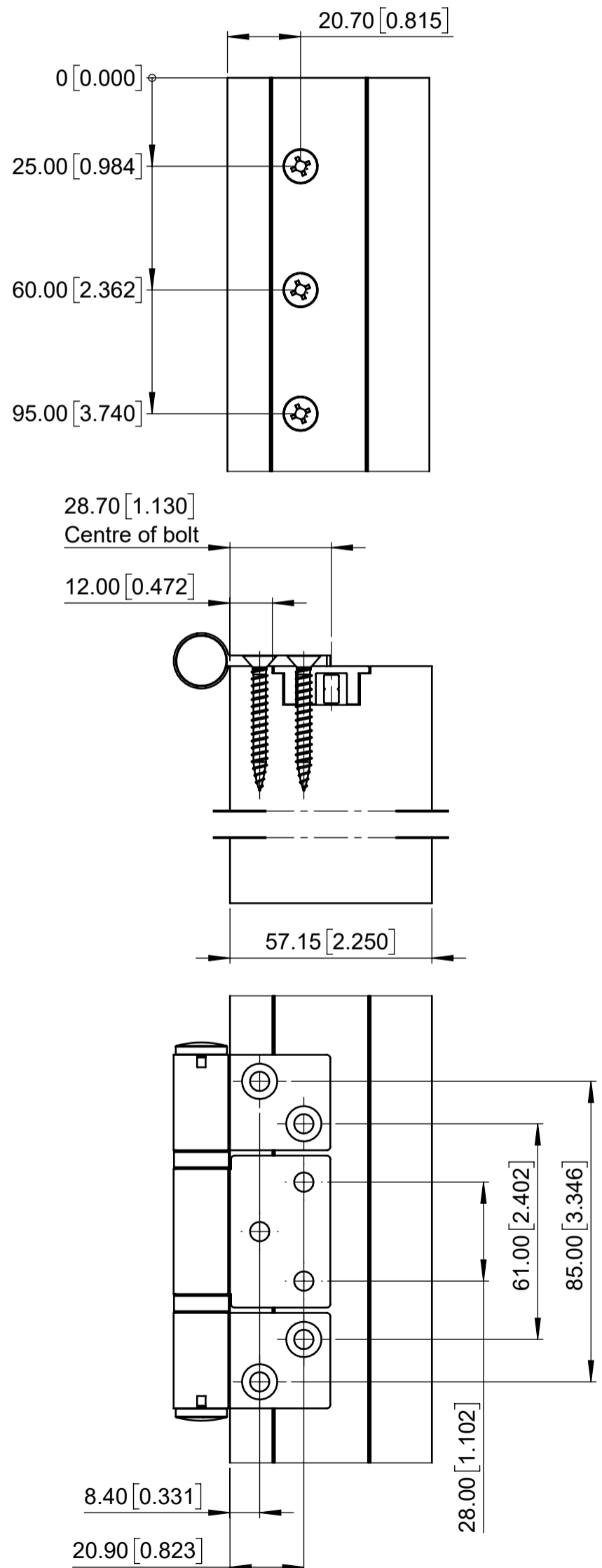
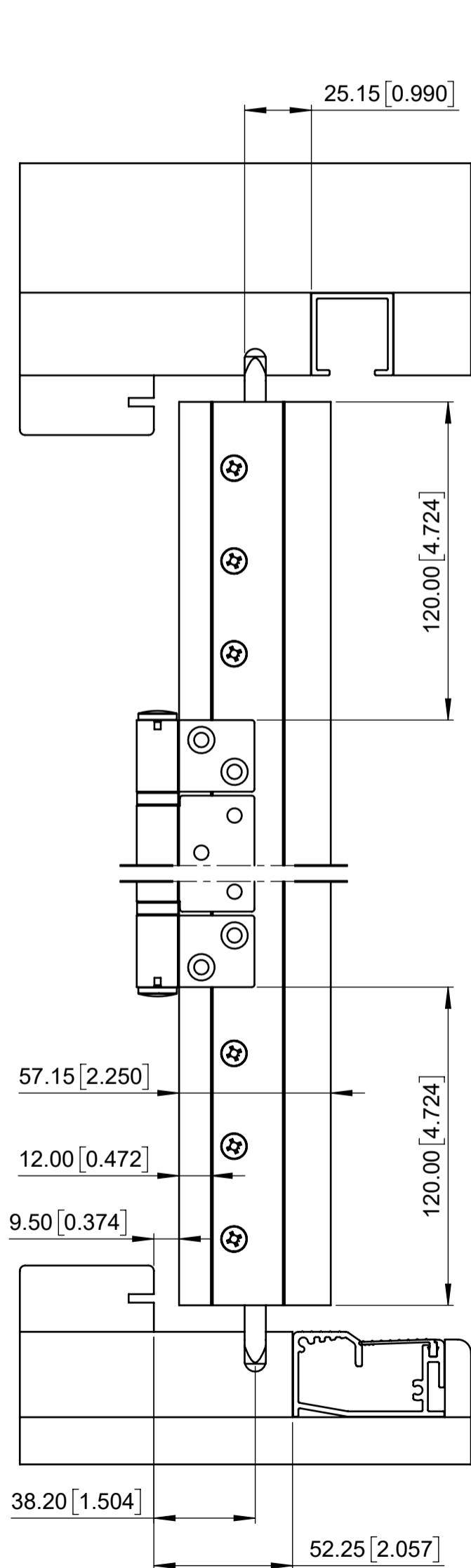
Panel	1 3/4"
Head	FR3HTC
Sill	FRSB



ARCHITECTURAL DETAIL

Centor F3 folding hardware

Panel	2 1/4"
Head	FR3HTC
Sill	FRSB

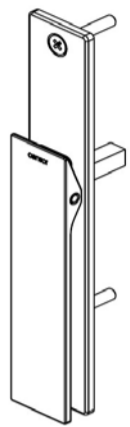


Twinpoint Gen2 - North American Catalogue

8-Mar-23

Part	Item number	Item name
------	-------------	-----------

Single handles - non-keyed



Outward opening

1 3/4" thick panel

TPL-002-C-S Single handle H01, 7", non-keyed, brushed stainless

TPL-002-C-OL Single handle H01, 7", non-keyed, black

2 1/4" thick panel

TPL-002-G-S Single handle H01, 7", non-keyed, brushed stainless

TPL-002-G-OL Single handle H01, 7", non-keyed, black

Inward opening

1 3/4" thick panel

TPL-002-G-S Single handle H01, 7", non-keyed, brushed stainless

TPL-002-G-OL Single handle H01, 7", non-keyed, black

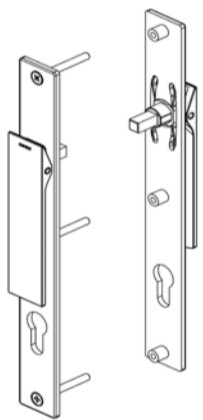
2 1/4" thick panel

TPL-002-I-S Single handle H01, 7", non-keyed, brushed stainless

TPL-002-I-OL Single handle H01, 7", non-keyed, black

Note: The same handle is used on 2 1/4" outward and 1 3/4" inward opening panels

Double handles - keyed



Outward opening

1 3/4" thick panel

TPL-001-AE-S Double handle H01, 11", keyed, brushed stainless

TPL-001-AE-OL Double handle H01, 11", keyed, black

2 1/4" thick panel

TPL-001-EG-S Double handle H01, 11", keyed, brushed stainless

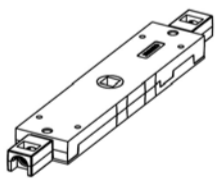
TPL-001-EG-OL Double handle H01, 11", keyed, black

Lock bodies

For single handle

Non-keyed

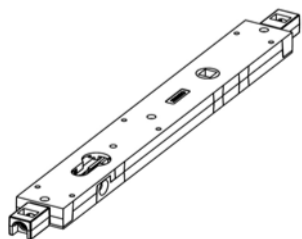
TPL-004 Lock body to suit single handle 7", non-keyed



For double handle

Keyed

TPL-003 Lock body to suit double handle 11", keyed



Twinpoint Gen2 - North American Catalogue

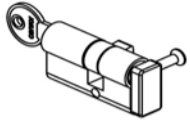
8-Mar-23

Part	Item number	Item name
------	-------------	-----------

Key-knob lock cylinders

Outward opening 1 3/4" thick panel

Left hand



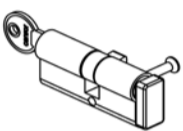
- TPL-019-L-US15 Lock cylinder Euro Key-Knob schlage 54 (31.5 - 22.5), left hand, satin nickle
- TPL-019-L-MB Lock cylinder Euro Key-Knob schlage 54 (31.5 - 22.5), left hand, matt black

Right hand

- TPL-019-R-US15 Lock cylinder Euro Key-Knob schlage 54 (31.5 - 22.5), right hand, satin nickle
- TPL-019-R-MB Lock cylinder Euro Key-Knob schlage 54 (31.5 - 22.5), right hand, matt black

Outward opening 2 1/4" thick panel

Left hand



- TPL-020-L-US15 Lock cylinder Euro Key-Knob schlage 67 (36.5-30.5), left hand, satin nickle
- TPL-020-L-MB Lock cylinder Euro Key-Knob schlage 67 (36.5-30.5), left hand, matt black

Right hand

- TPL-020-R-US15 Lock cylinder Euro Key-Knob schlage 67 (36.5-30.5), right hand, satin nickle
- TPL-020-R-MB Lock cylinder Euro Key-Knob schlage 67 (36.5-30.5), right hand, matt black

Transmission rod sets

8' high panel



- TPL-005-24-XS Transmission rod set wood panels, quadrex, 36" handle 8' panel brushed metallic
- TPL-005-24-LY Transmission rod set wood panels, quadrex, 36" handle 8' panel black

10' high panel

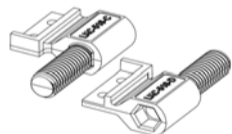
- TPL-005-30-XS Transmission rod set wood panels, quadrex, 36" handle 10' panel brushed metallic
- TPL-005-30-LY Transmission rod set wood panels, quadrex, 36" handle 10' panel black

13' high panel

- TPL-005-40-XS Transmission rod set wood panels, quadrex, 36" handle 13' panel brushed metallic
- TPL-005-40-LY Transmission rod set wood panels, quadrex, 36" handle 13' panel black

Transmission rod adaptors

1.575" backset



- TPL-015-CD-01 Transmission rod adaptors 1.575" backset (bag of 1)
- TPL-015-CD-20 Transmission rod adaptors 1.575" backset (bag of 20)

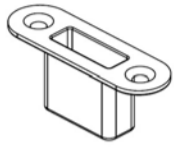
1.969" backset

- TPL-015-EF-01 Transmission rod adaptors 1.969" backset (bag of 1)
- TPL-015-EF-20 Transmission rod adaptors 1.969" backset (bag of 20)

Part	Item number	Item name
------	-------------	-----------

Bolt receivers

Bolt cups



Bag of 1 with screws

- TPL-017-S-01 Bolt cup kit 5/16" PVD bronze (bag of 1)
- TPL-017-OL-01 Bolt cup kit 5/16" stainless steel (bag of 1)

Bag of 20 with screws

- TPL-017-S-20 Bolt cup kit 5/16" PVD bronze (bag of 20)
- TPL-017-OL-20 Bolt cup kit 5/16" stainless steel (bag of 20)

Strike plates



Bag of 1 with screws

- TPL-018-S-01 Strike plate kit 5/16" PVD Bronze (bag of 1)
- TPL-018-OL-01 Strike plate kit 5/16" stainless steel (bag of 1)

Bag of 20 with screws

- TPL-018-S-20 Strike plate kit 5/16" PVD Bronze (bag of 20)
- TPL-018-OL-20 Strike plate kit 5/16" stainless steel (bag of 20)

Centor North America

866 255 0008

+1 630 957 1000

customerserviceusa@centor.com

centor.com

centor[®]