

# Floor rolling door frame

6' x 6'-8"

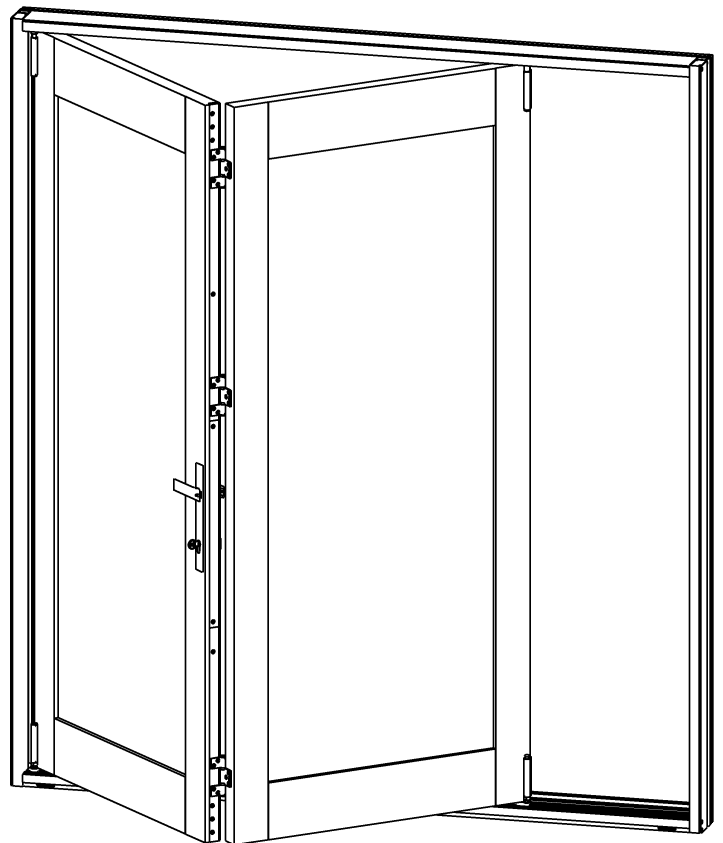
---

Centor presents a great upgrade opportunity for patio door OEMs to help homeowners looking to replace XO or OX sliding doors.

Centor's new Floor-rolling Frame combined with the proven F3 Floor-rolling systems, robust TwinPoint Gen2 Lockset and the OEM's door panels allows traditional 2 panel sliding doors to be removed and new bi-folding doors installed to 'double your doorway'.

Doubling your doorway doubles the access and improves the connection with the outdoor living area. It more than doubles the airflow to reduce reliance on air-conditioning and provides fresh healthy air.

- Frame is provided fully machined and finished ready for the panels to be installed
- Slimline head and sill profiles work with F3 Floor-rolling hardware to remove overhead vertical load. The frame can be simply installed on existing building structures, even with limited header size.
- TwinPoint Gen2 Lock is a stylish alternative to surface mounted dropbolts. Simple to install and use, its elegant central handle operates concealed top and bottom bolts, closing doors in one easy movement.
- Optional double handles, with an outside key and internal thumbturn, provides convenient and secure external access.
- Can be installed with Centor's award winning S2 Insect Screen. Finger-tip control makes opening and closing child's play. Fully retracts when not in use.



---

Double your doorway

centor

# Horizontal section

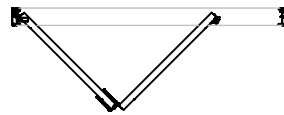
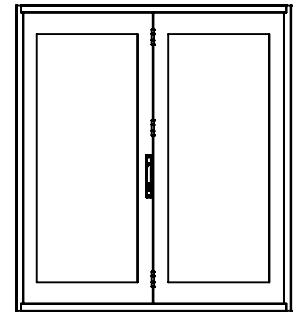
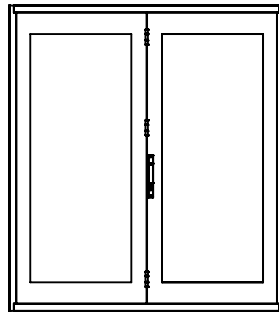
Frame width	71"	71 1/4"	71 1/2"	71 3/4"	72"
Panel width	33.847"	33.972"	34.097"	34.222"	34.347"
	33 13/16"	33 15/16"	34 1/16"	34 3/16"	34 5/16"

## Panel width formulas

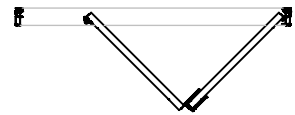
2 panels:  $(\text{Frame width} - 3.306") / 2$

3 panels:  $(\text{Frame width} - 3.621") / 3$

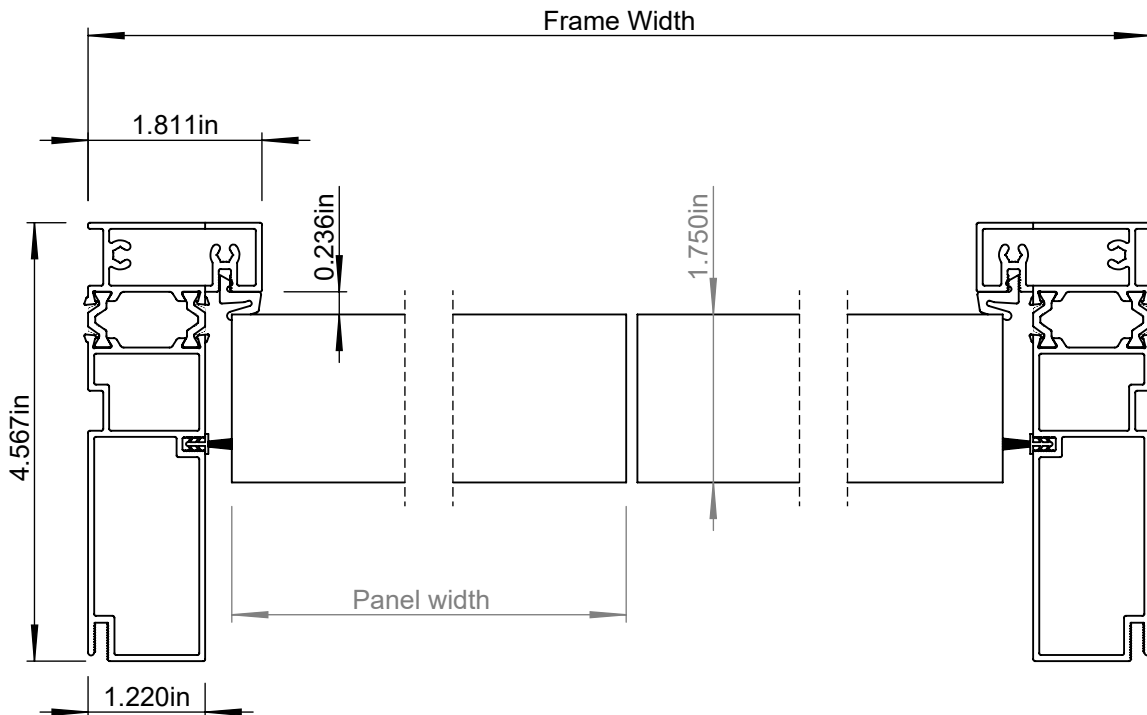
4 panels:  $(\text{Frame width} - 3.936") / 4$



2L



2R

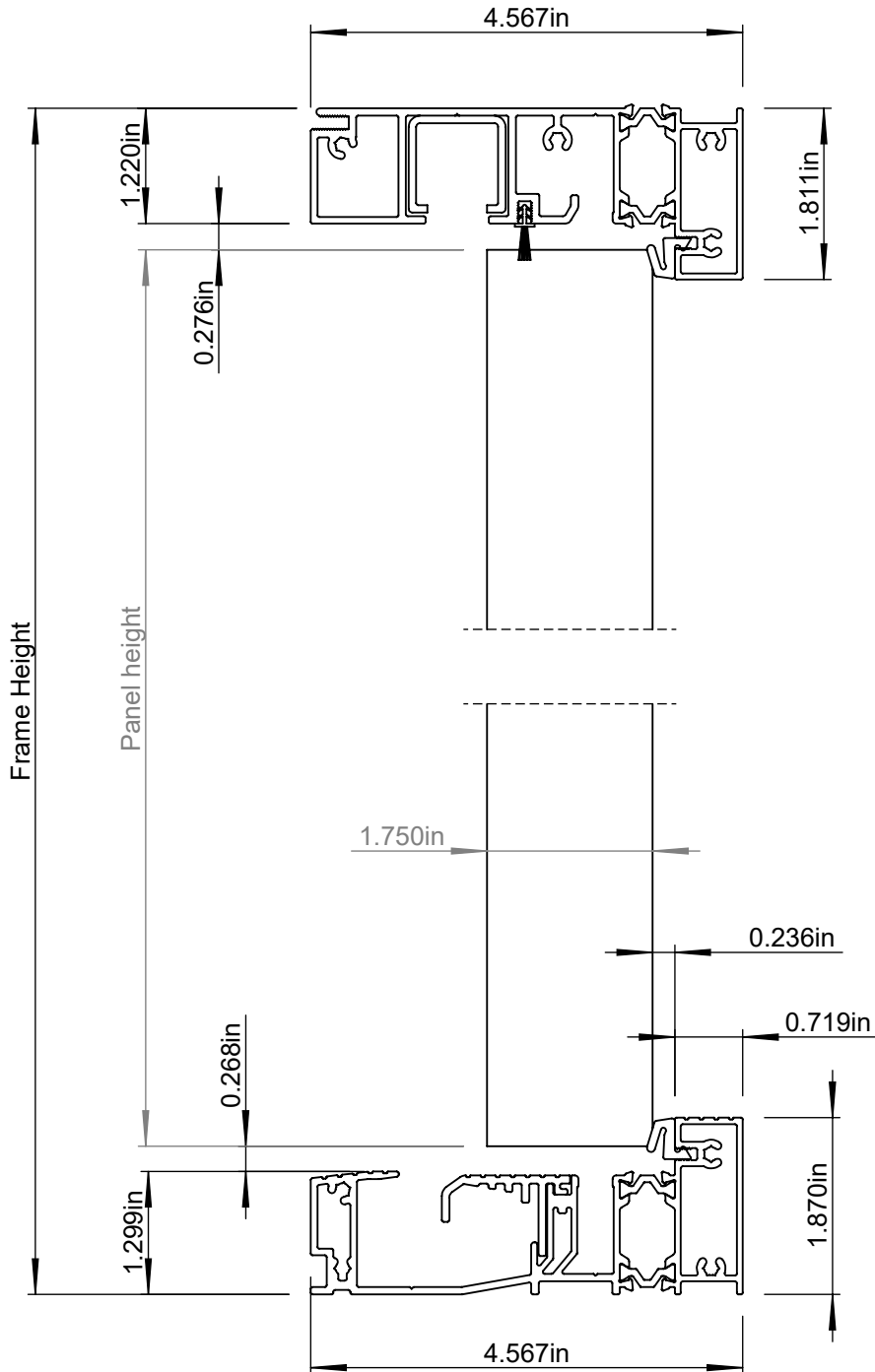


# Vertical section

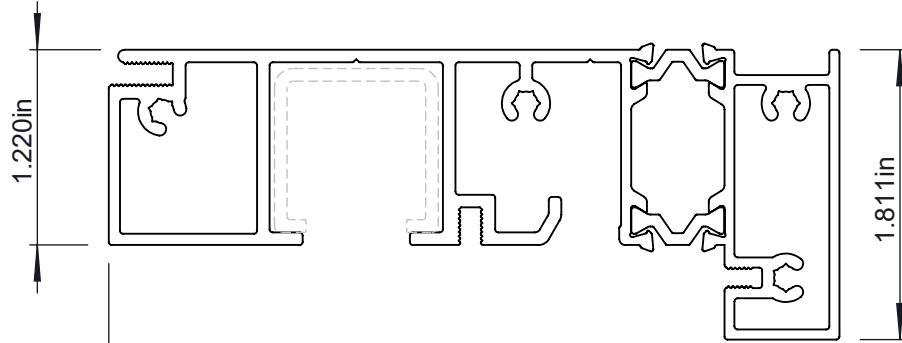
Frame height	79"	79 1/4"	79 1/2"	79 3/4"	80"
Panel height	75.938"	76.189"	76.439"	76.689"	76.939"
	75 15/16"	76 3/16"	76 7/16"	76 11/16"	76 15/16"

## Panel height formula

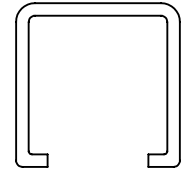
All panels: Frame height - 3.062"



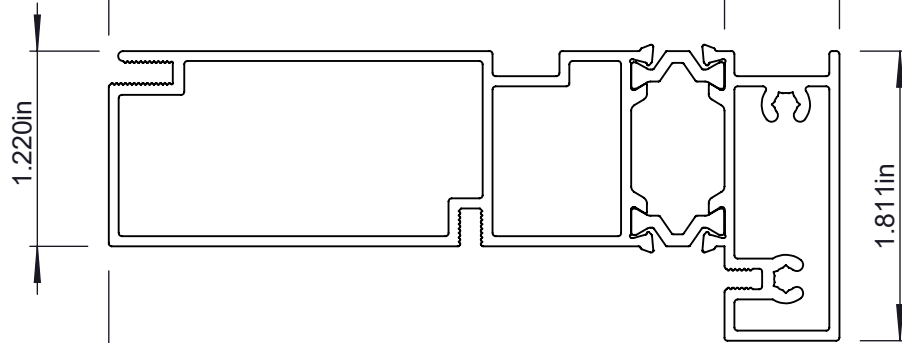
# Profiles



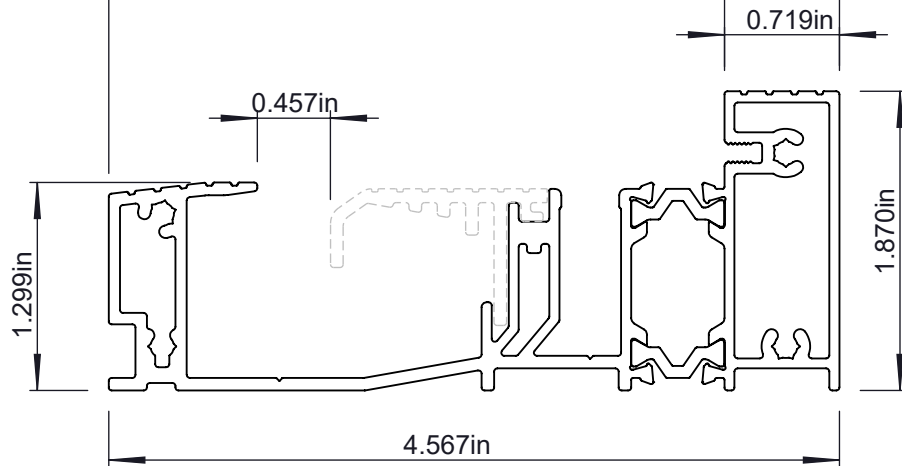
**Head**  
Thermally broken aluminum



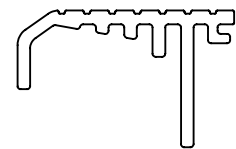
**Guide track**  
Polyethylene



**Jamb**  
Thermally broken aluminum



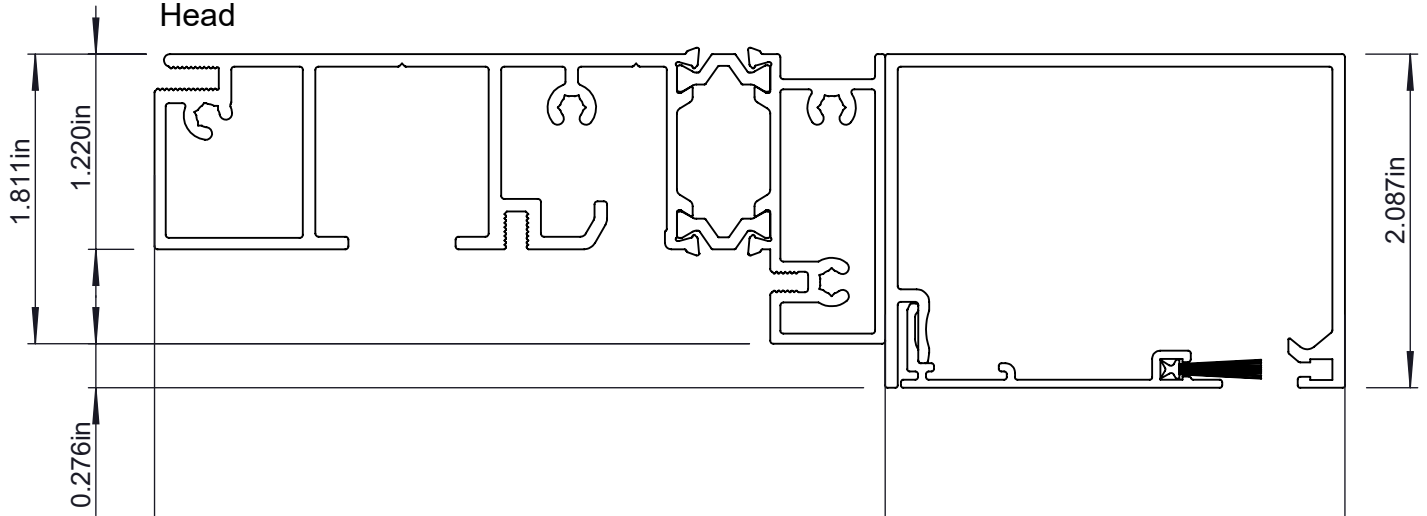
**Sill**  
Thermally broken aluminum



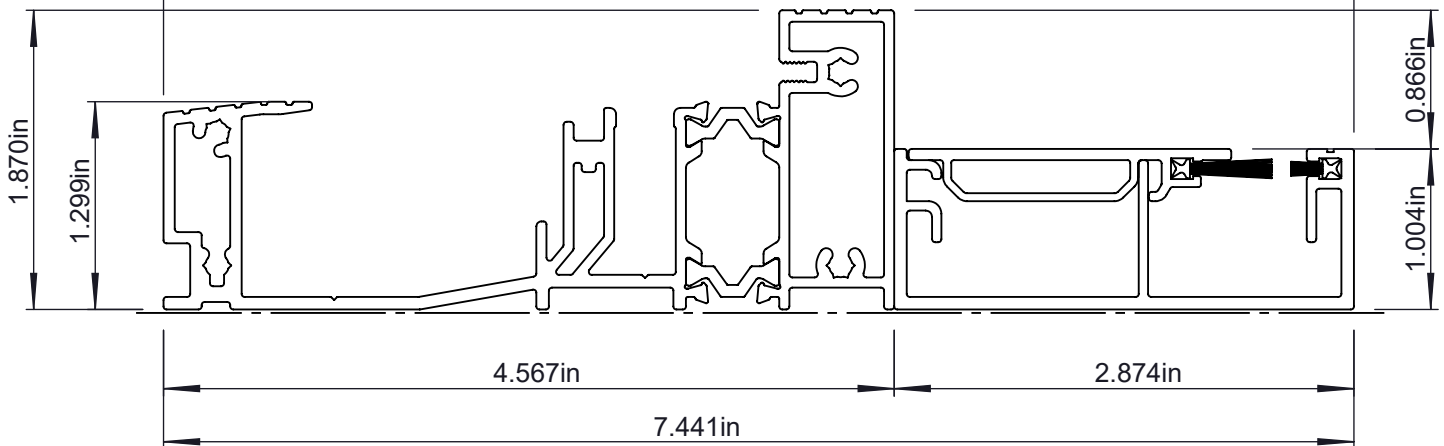
**Removeable sill cover**  
Aluminum

# Profiles with S2 screen

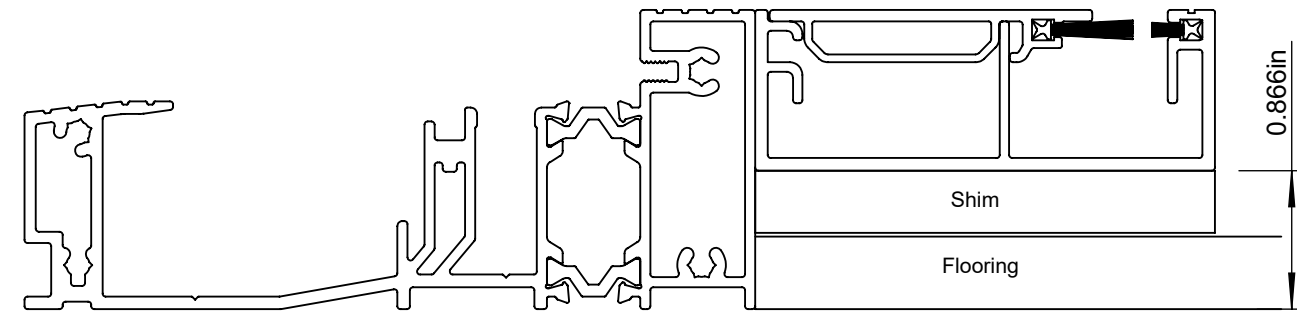
Head



Sill with S2 on sub floor

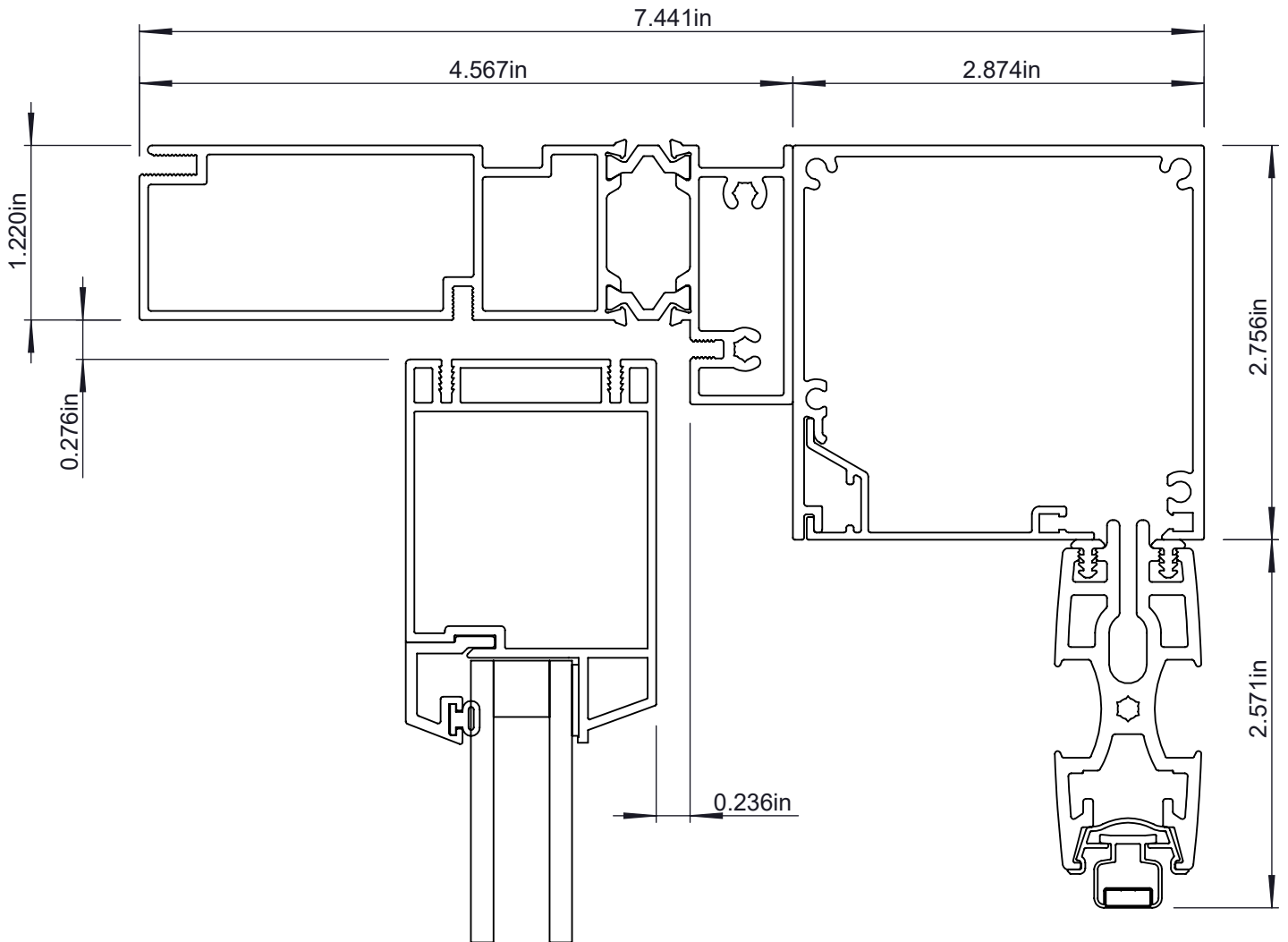


Sill with S2 on Shim on Existing Flooring

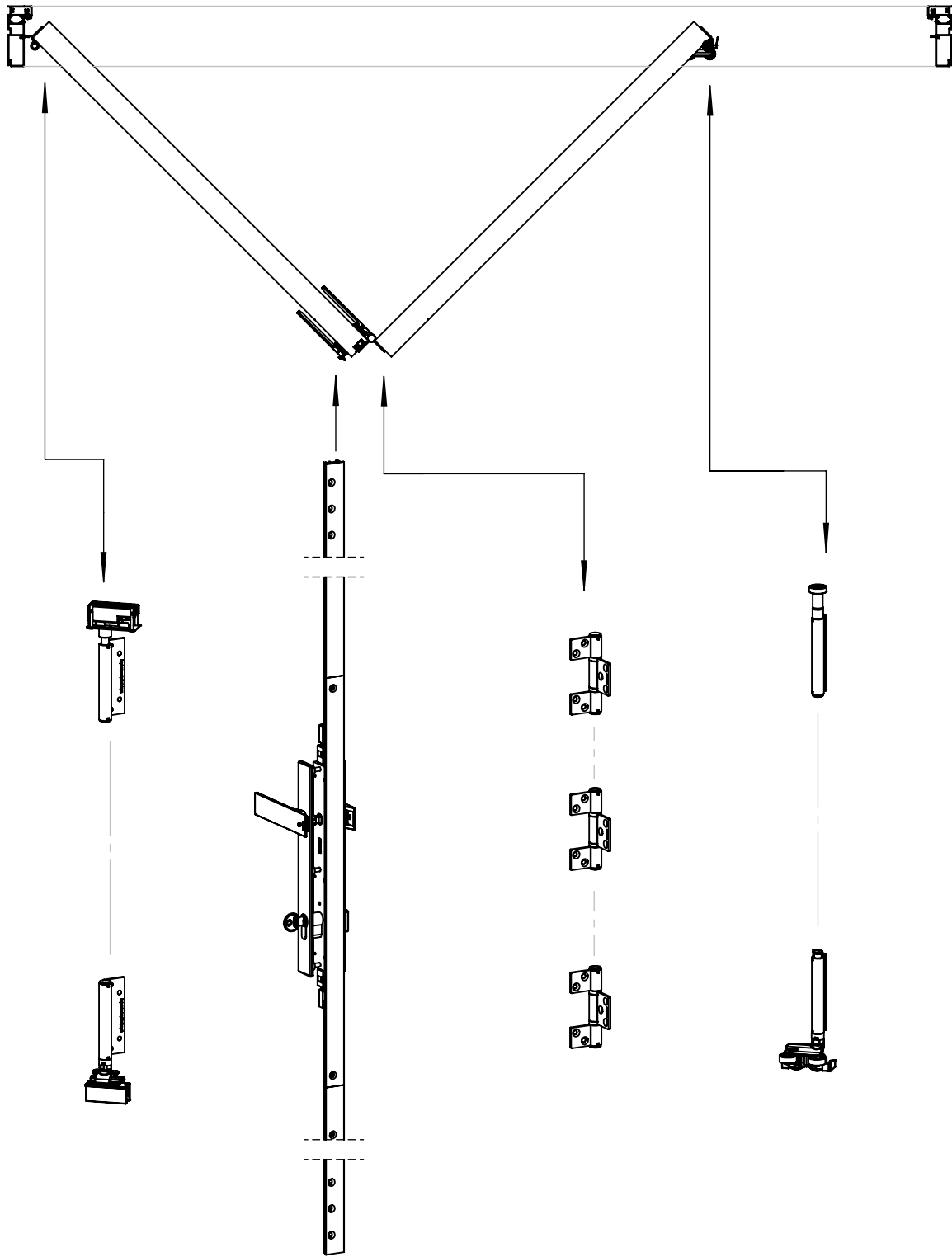


# Profiles with S2 screen

Jamb



# Hardware for 2 left panels



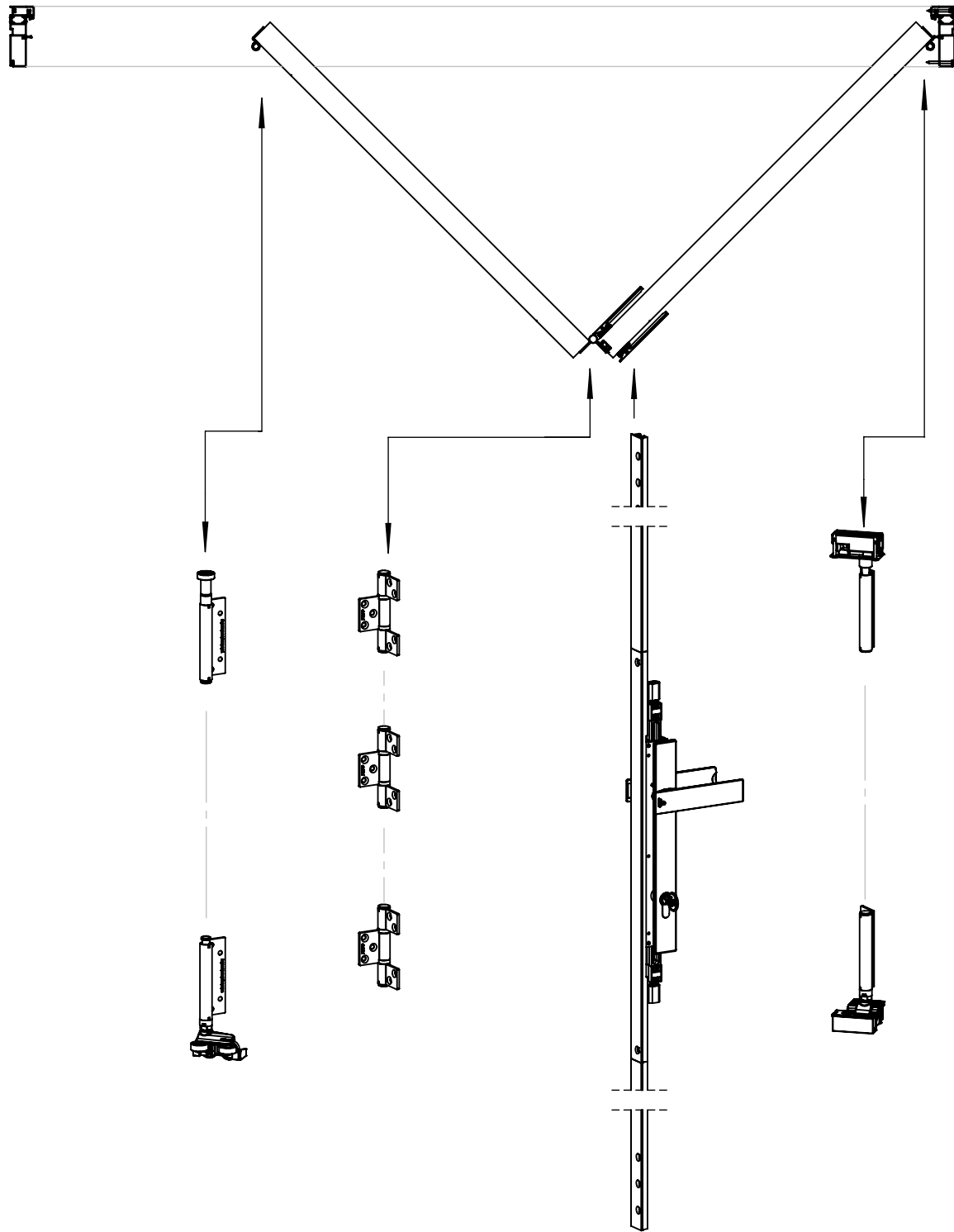
Pivot set  
Left

TwinPoint Gen2  
Right

Straight hinge set

End carrier set  
Right

# Hardware for 2 right panels



End carrier set  
Left

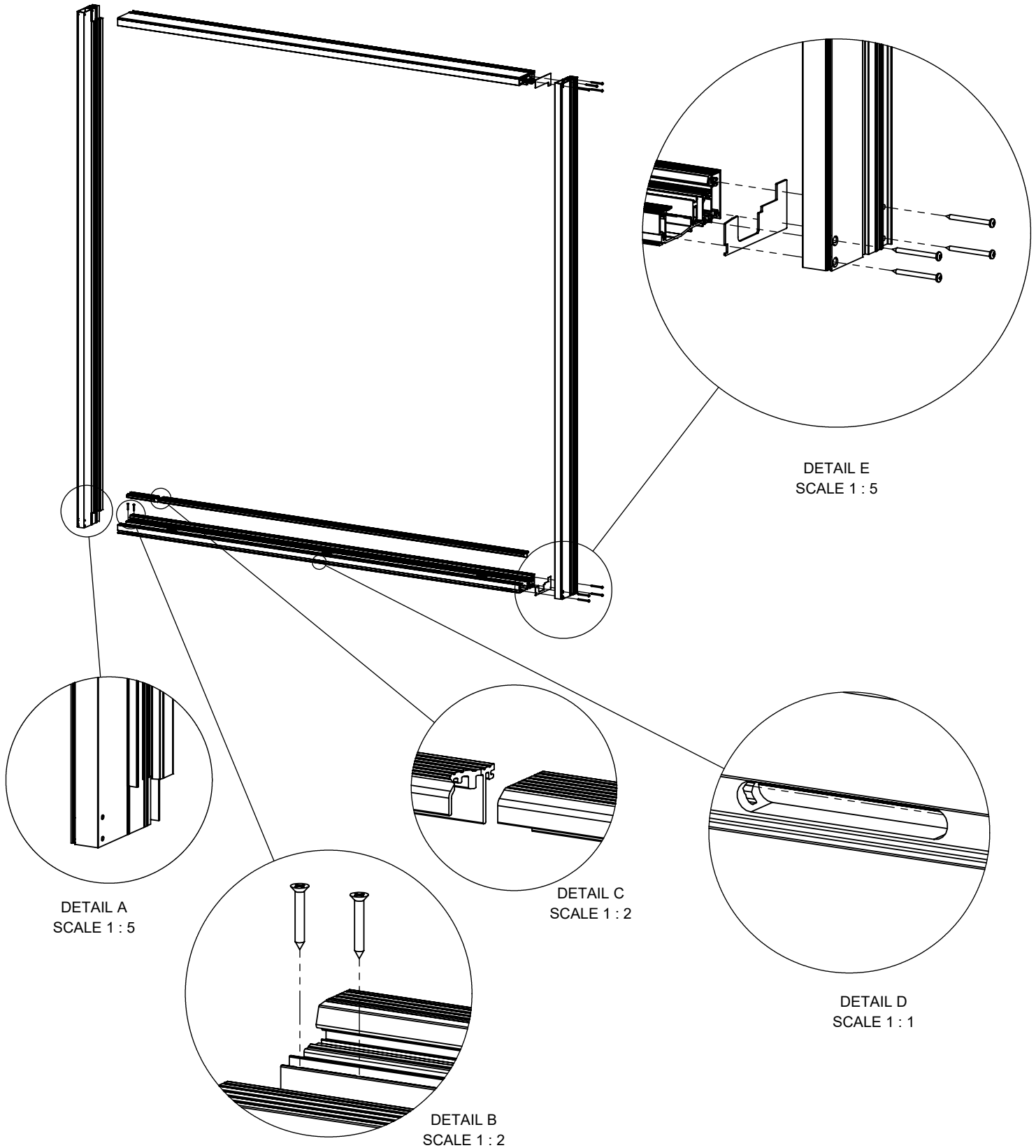
Straight hinge set

TwinPoint Gen2  
Left

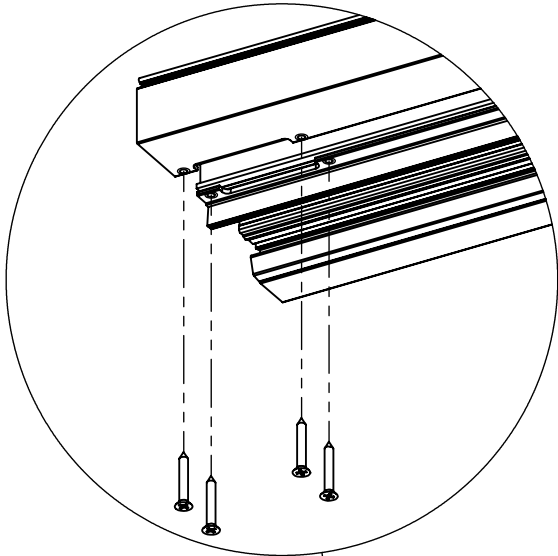
Pivot set  
Right



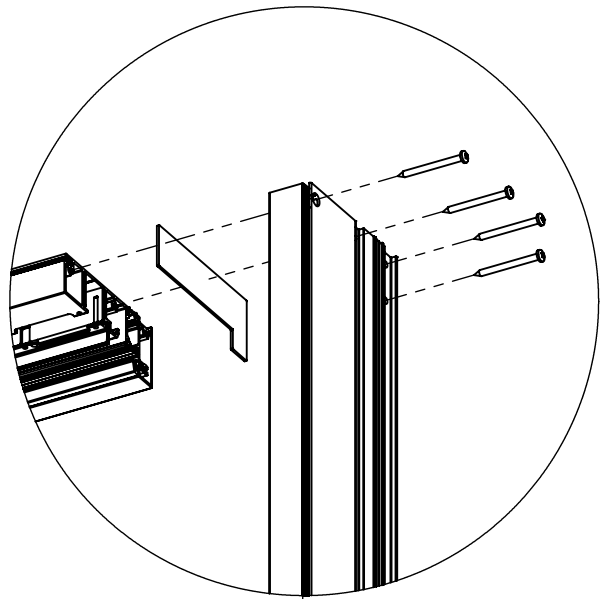
# Frame machining details



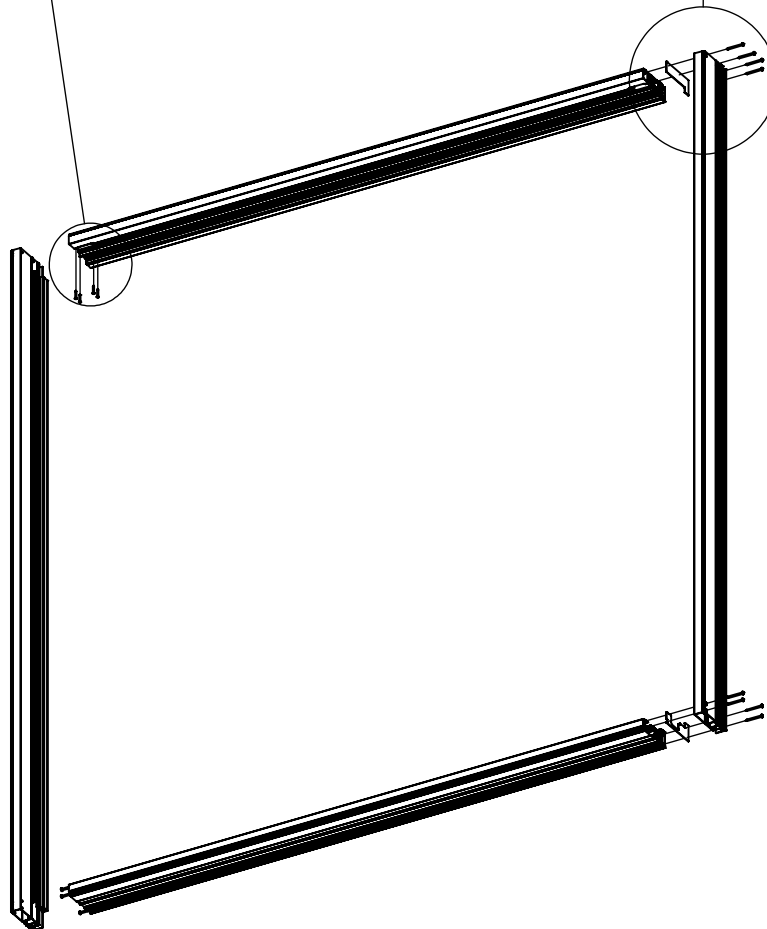
# Frame machining details



DETAIL F  
SCALE 1 : 3



DETAIL G  
SCALE 1 : 5



**Centor North America**

866 255 0008

+1 630 957 1000

customerserviceusa@centor.com

centor.com

---

