

TwinPoint Gen2
CATALOG



Folding door lock with internal and external access

centor®

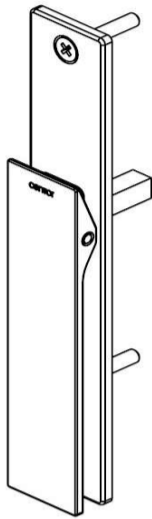
Stainless steel handles	3
Zinc diecast handles	4 - 5
Cylinders	6
Lock bodies	6
Transmission - wood	
Rod and cover sets	7
Adaptors	8
Rod cups and plates	8
Transmission - hollow	
Shims	9
Transmission rod set	9
Bolt guides	9
Bolts and adaptors	10

Stainless steel handles

Single handle non-keyed, H01 Short

Contents

1 x handle set, 1 x gasket, 2 x mounting screws



0.807" (20.5mm) spindle depth

TPL-002-C-S	brushed stainless
TPL-002-C-OL	PVD black

1.161" (29.5mm) spindle depth

TPL-002-G-S	brushed stainless
TPL-002-G-OL	PVD black

1.319" (33.5mm) spindle depth

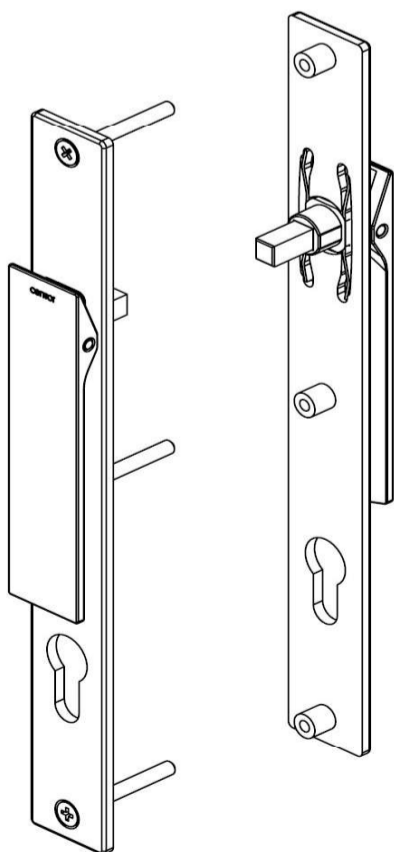
TPL-002-I-S	brushed stainless
TPL-002-I-OL	PVD black

Stainless steel handles

Double handle keyed, H01 Long

Contents

*1 x internal handle set, 1 x external handle set
2 x gasket, 3 x mounting screws*



0.650"-0.965" (16.5mm-24.5mm) spindle depth

TPL-001-AE-S	brushed stainless
TPL-001-AE-OL	PVD black

0.965"-1.161" (24.5mm-29.5mm) spindle depth

TPL-001-EG-S	brushed stainless
TPL-001-EG-OL	PVD black

Zinc diecast handles

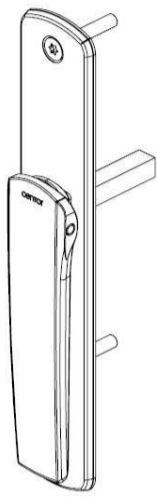
Single handle H02

Contents

1 x handle set, 30 & 35mm mounting screws

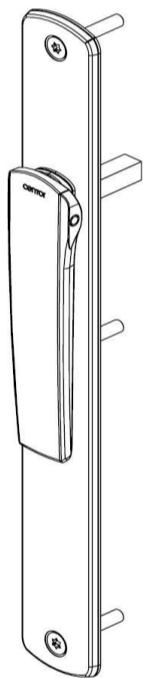
25 & 37mm spindles

2 x M4 spindle grub screw, 1 x 2mm Allen key



Non-keyed Short

TPL-055-01-NI	nickel plated
TPL-055-01-LM	black matt powdercoat
TPL-055-01-WM	white matt powdercoat



Non-keyed Long

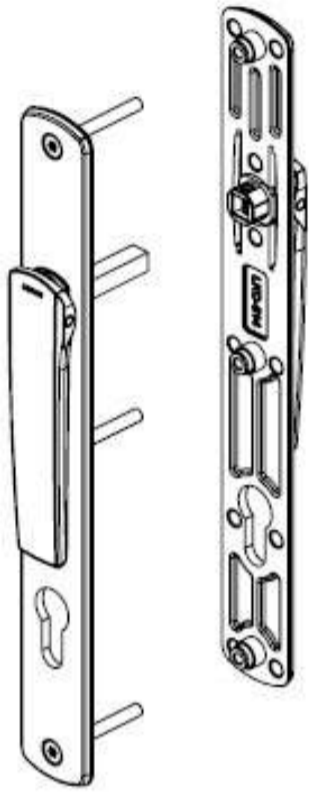
TPL-056-01-NI	nickel plated
TPL-056-01-LM	black matt powdercoat
TPL-056-01-WM	white matt powdercoat

Zinc diecast handles

Double handle keyed, H02 Long

Contents

- 1 x handle set*
- 2 x mounting screw sets (45 & 60mm)*
- 2 x spindles (43 & 56mm)*
- 2 x M4 spindle grub screw, 1 x 2mm Allen key*



Keyed Long

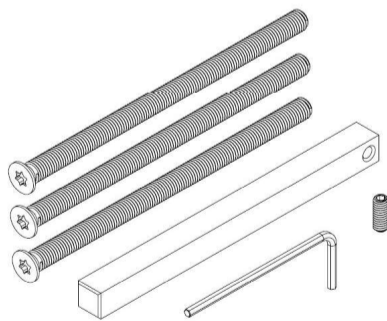
TPL-054-02-NI	nickel plated
TPL-054-02-LM	black matt powdercoat
TPL-054-02-WM	white matt powdercoat
TPL-054-02-LWM	black matt exterior, white matt interior, powdercoat

Spindle kit

Spindle kit 100mm

Contents

- 1 x 100mm spindle, 3 x 100mm mounting screws*
- 1 x M4 spindle grub screw, 1 x 2mm Allen key*



For non standard panels, cut spindle and screws to fit

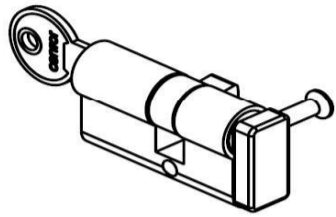
TPL-058-100-S	Stainless steel
TPL-058-100-OL	PVD black

Double lock cylinders

Lock cylinder Key-Knob Schlage

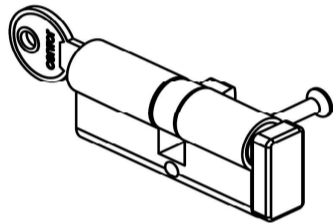
Contents

*1 x cylinder, 3 x 5-pin key, 1 x 20mm long cylinder screw
1 x Rehanding instruction*



54mm (31.5-22.5)

TPL-019-L-US15	Left hand	satın nickel
TPL-019-L-MB		matt black
TPL-019-R-US15	Right hand	satın nickel
TPL-019-R-MB		matt black



67mm (36.5-30.5)

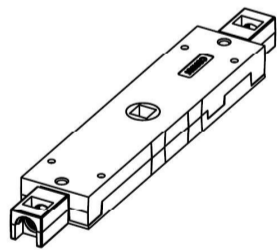
TPL-020-L-US15	Left hand	satın nickel
TPL-020-L-MB		matt black
TPL-020-R-US15	Right hand	satın nickel
TPL-020-R-MB		matt black

Lock bodies

Lock body

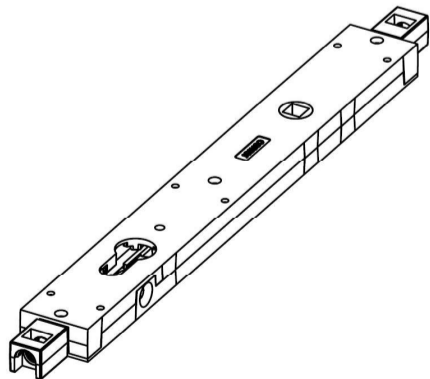
Contents

1 x lock body



Non-keyed

TPL-004	single short
---------	--------------



Keyed

TPL-025	single long
TPL-003	double long

Transmission rod and cover sets

Transmission rod set wood panels, quadrex

Contents

1 x lock body cover, 2 x top & bottom covers same length,
 2 x transmission rods with bolt attached (one short, one long),
 4 x pop rivets, 1 x drill jig, 1 x quadrex screw pack



Short lock body cover

up to 46" high panel

TPL-069-11-XS	brushed metallic
TPL-069-11-LY	black

up to 72" high panel

TPL-069-18-XS	brushed metallic
TPL-069-18-LY	black

up to 96" high panel

TPL-069-24-XS	brushed metallic
TPL-069-24-LY	black

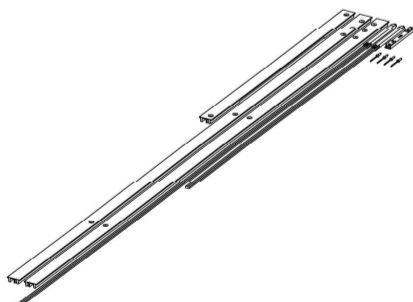
up to 120" high panel

TPL-069-30-XS	brushed metallic
TPL-069-30-LY	black

up to 156" high panel

TPL-069-40-XS	brushed metallic
TPL-069-40-LY	black

Long lock body cover



up to 96" high panel

TPL-005-24-XS	brushed metallic
TPL-005-24-LY	black

up to 120" high panel

TPL-005-30-XS	brushed metallic
TPL-005-30-LY	black

up to 156" high panel

TPL-005-40-XS	brushed metallic
TPL-005-40-LY	black

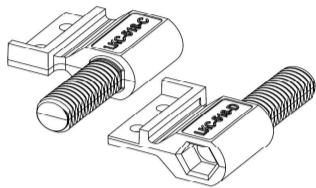
Transmission rod adaptors

Transmission rod adaptors

Contents

bag of 1 - 1 pair of rod adaptors

bag of 20 - 20 pairs of rod adaptors



1.575" backset

TPL-015-CD-01	bag of 1 set
TPL-015-CD-20	bag of 20 sets

1.969" backset

TPL-015-EF-01	bag of 1 set
TPL-015-EF-20	bag of 20 sets

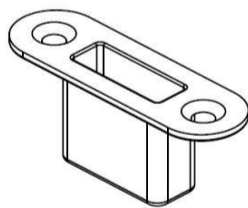
Bolt cups

Bolt cup kit 8mm

Contents

bag of 1 - 1 x bolt cup, 2 x mounting screws

bag of 20 - 20 x bolt cups, 40 x mounting screws



TPL-017-OL-01	bag of 1	PVD black
TPL-017-S-01		stainless steel
TPL-017-OL-20	bag of 20	PVD black
TPL-017-S-20		stainless steel

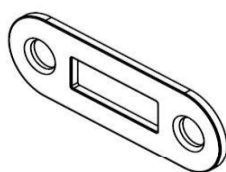
Strike plates

Strike plate kit 8mm

Contents

bag of 1 - 1 x bolt cup, 2 x mounting screws

bag of 20 - 20 x bolt cups, 40 x mounting screws

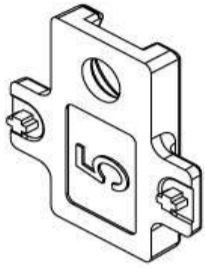


TPL-018-OL-01	bag of 1	PVD black
TPL-018-S-01		stainless steel
TPL-018-OL-20	bag of 20	PVD black
TPL-018-S-20		stainless steel

Shims

Shim

Contents
50 x shims



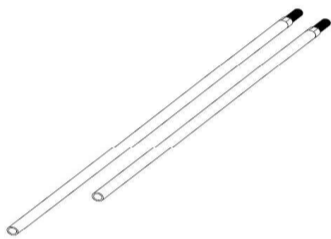
bag of 50

TPL-038-05-50	5mm
TPL-038-08-50	8mm
TPL-038-16-50	16mm

Transmission rod set

Transmission rod set

Contents
2 x transmission rods with

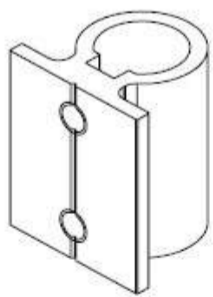


TPL-041-24	up to 8' panel height
TPL-041-30	up to 10' panel height
TPL-041-40	up to 13' panel height

Bolt guides

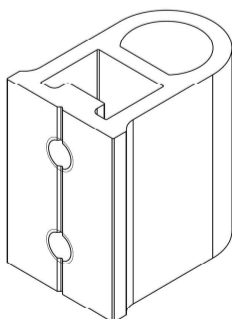
Bolt guide aluminium

Contents
bag of 2 - 2 x bolt guides, 4 x 8mm long screws
bag of 20 - 20 x bolt guides, 40 x 8mm long screws



13.0mm ID - 13mm offset

TPL-034-NF-02	bag of 2
TPL-034-NF-20	bag of 20



12.4mm ID - 20mm offset

TPL-035-NF-02	bag of 2
TPL-035-NF-20	bag of 20

Bolts and transmission rod adaptors

Bolt and adaptor kit

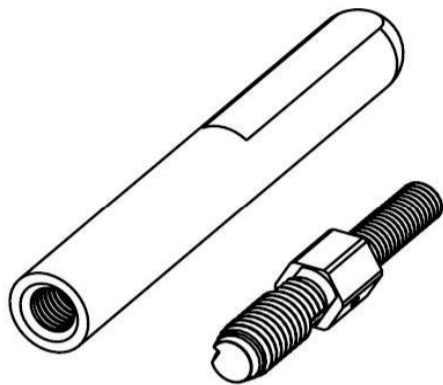
Contents

bag of 2 - 2 x bolts, 2 x adaptors (not attached)

bag of 20 - 20 x bolts, 20 x adaptors (not attached)

Round bolt

0.500" (12.7mm) single flat



TPL-033-B-02	bag of 2
TPL-033-B-20	bag of 20

0.500" (12.7mm) double flat

TPL-033-A-02	bag of 2
TPL-033-A-20	bag of 20

0.492" (12.5mm) single flat

TPL-033-C-02	bag of 2
TPL-033-C-20	bag of 20

0.472" (12.0mm) single flat

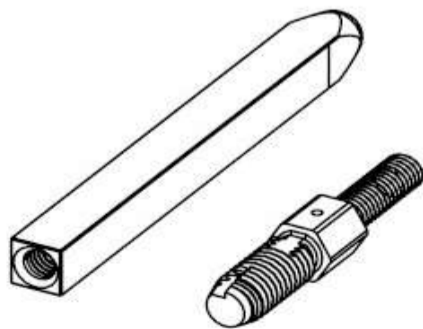
TPL-033-D-02	bag of 2
TPL-033-D-20	bag of 20

0.453" (11.5mm) single flat

TPL-033-E-02	bag of 2
TPL-033-E-20	bag of 20

Square bolt

0.315" (8.0mm)



TPL-033-F-02	bag of 2
TPL-033-F-20	bag of 20

Centor North America

866 255 0008

+1 630 957 1000

customerserviceusa@centor.com

centor.com