

TwinPoint Gen2
HANDLES



Folding door lock with internal and external access

centor®

File download information	3
----------------------------------	----------

Product details

Stainless steel	4 - 9
Zinc diecast	10 - 16
Handle backset	17

Download options

Centor's brochures, technical documents and drawings can be downloaded from;

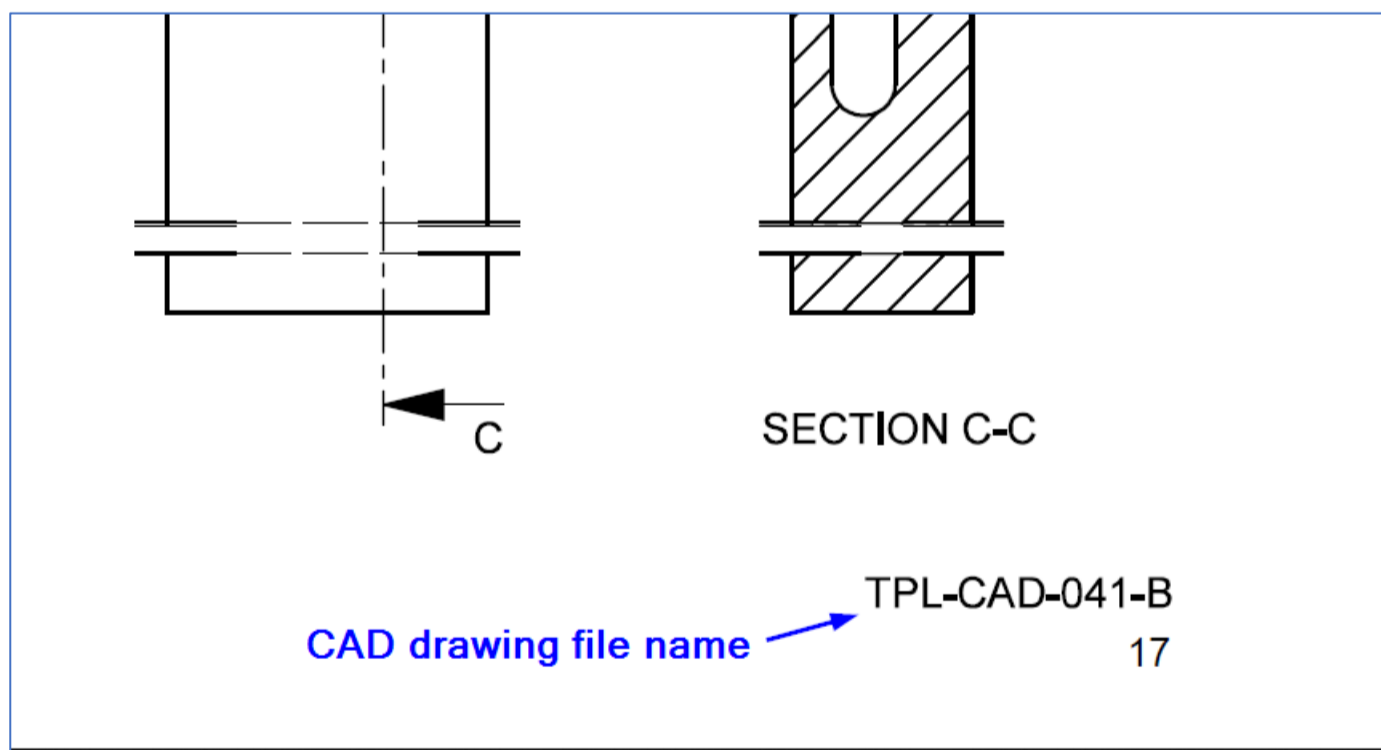
1. Bottom of the TwinPoint Gen2 website page
2. Professional section of Centor's webpage
3. This link. <https://centor.com/us/hardware-systems/accessories/centor-twinpoint-lock>

Downloads	
TwinPoint Gen2 Brochure	pdf
TwinPoint Gen2 Hollow Panels technical document	pdf
TwinPoint Gen2 Wood Panels technical document	pdf
TwinPoint Gen2 Drawings (dwg)	zip
TwinPoint Gen2 Drawings (dxf)	zip

2D CAD drawing download

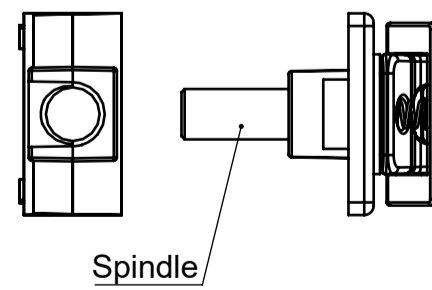
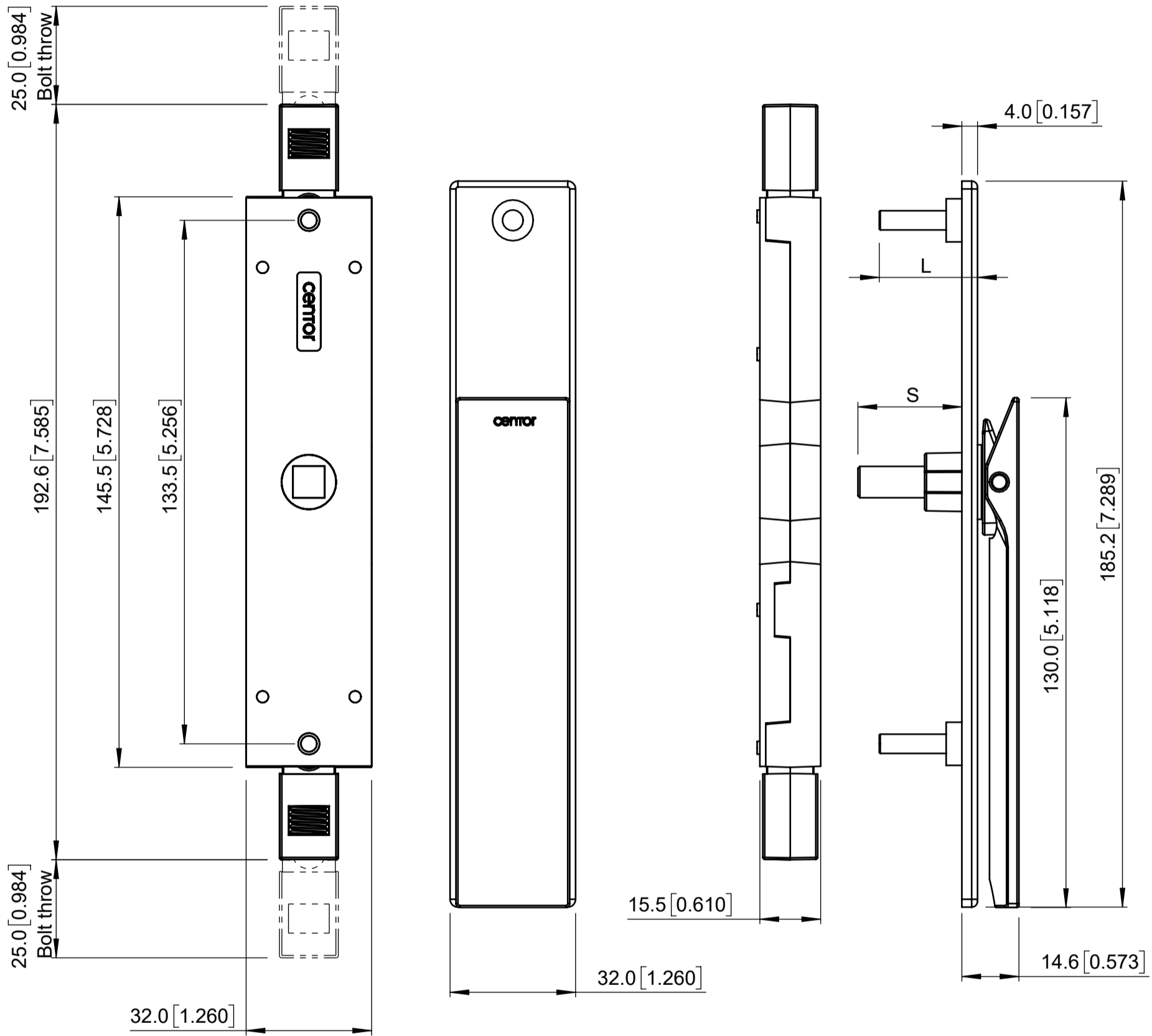
The drawings download provides a folder that contains all the drawings.

1. There are two folders. One for dwg and one for dxf.
2. Use the technical documents as an index to select the appropriate drawing. The drawing file name is printed at the bottom right corner of the page.



STAINLESS STEEL HANDLES H01

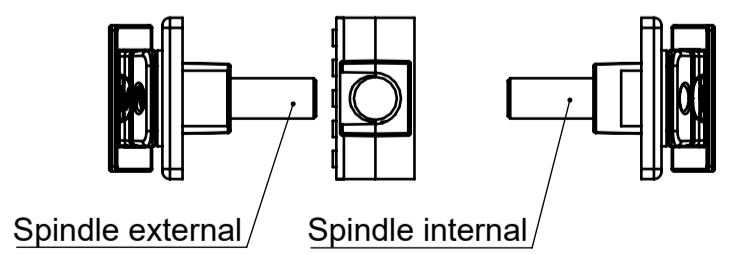
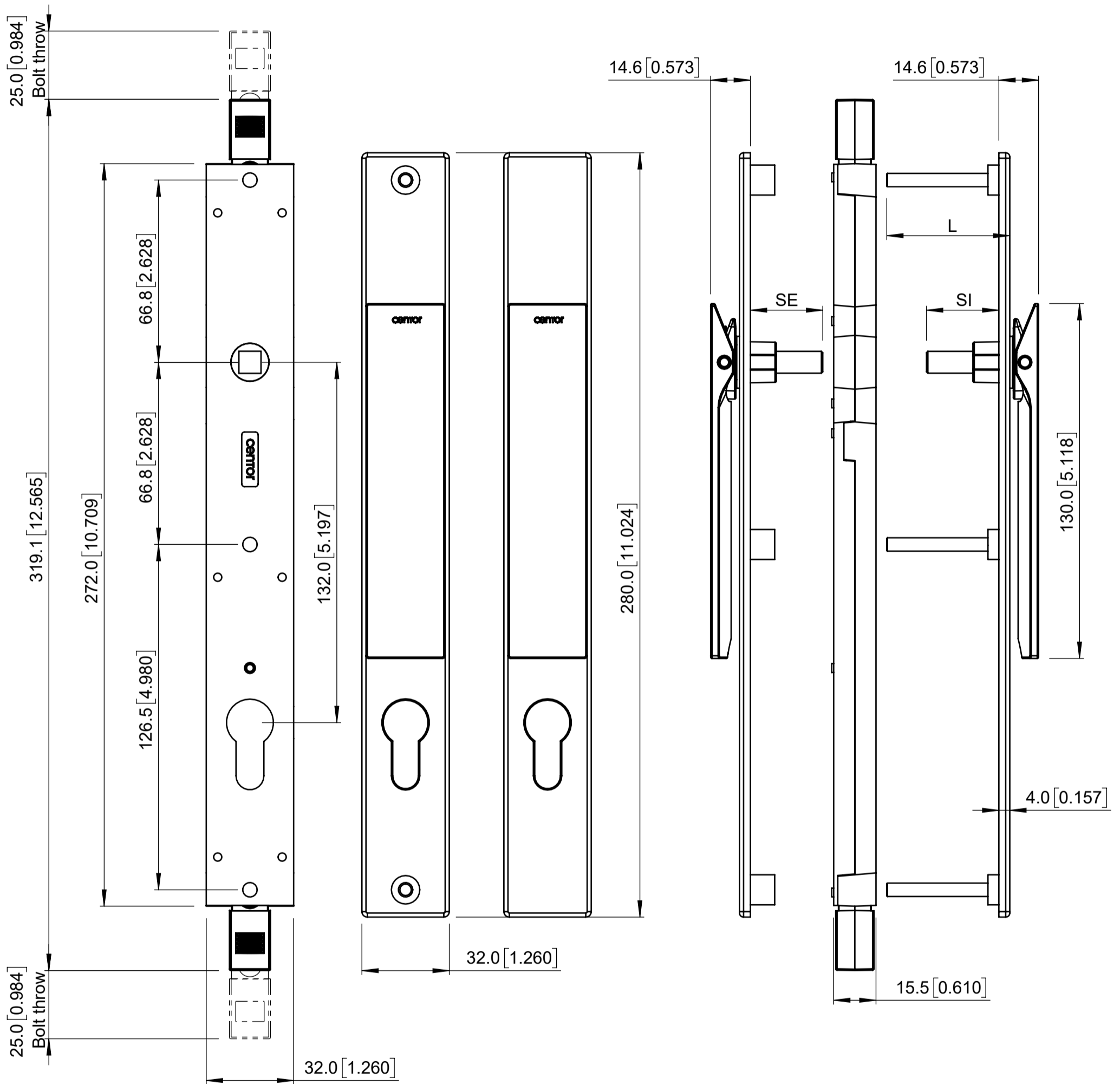
PRODUCT DETAIL - SINGLE HANDLE, NON-KEYED, SHORT



Notes:
The spindle is factory fitted into the handle and cannot be removed.

STAINLESS STEEL HANDLES H01

PRODUCT DETAIL - DOUBLE HANDLE, KEYED, LONG



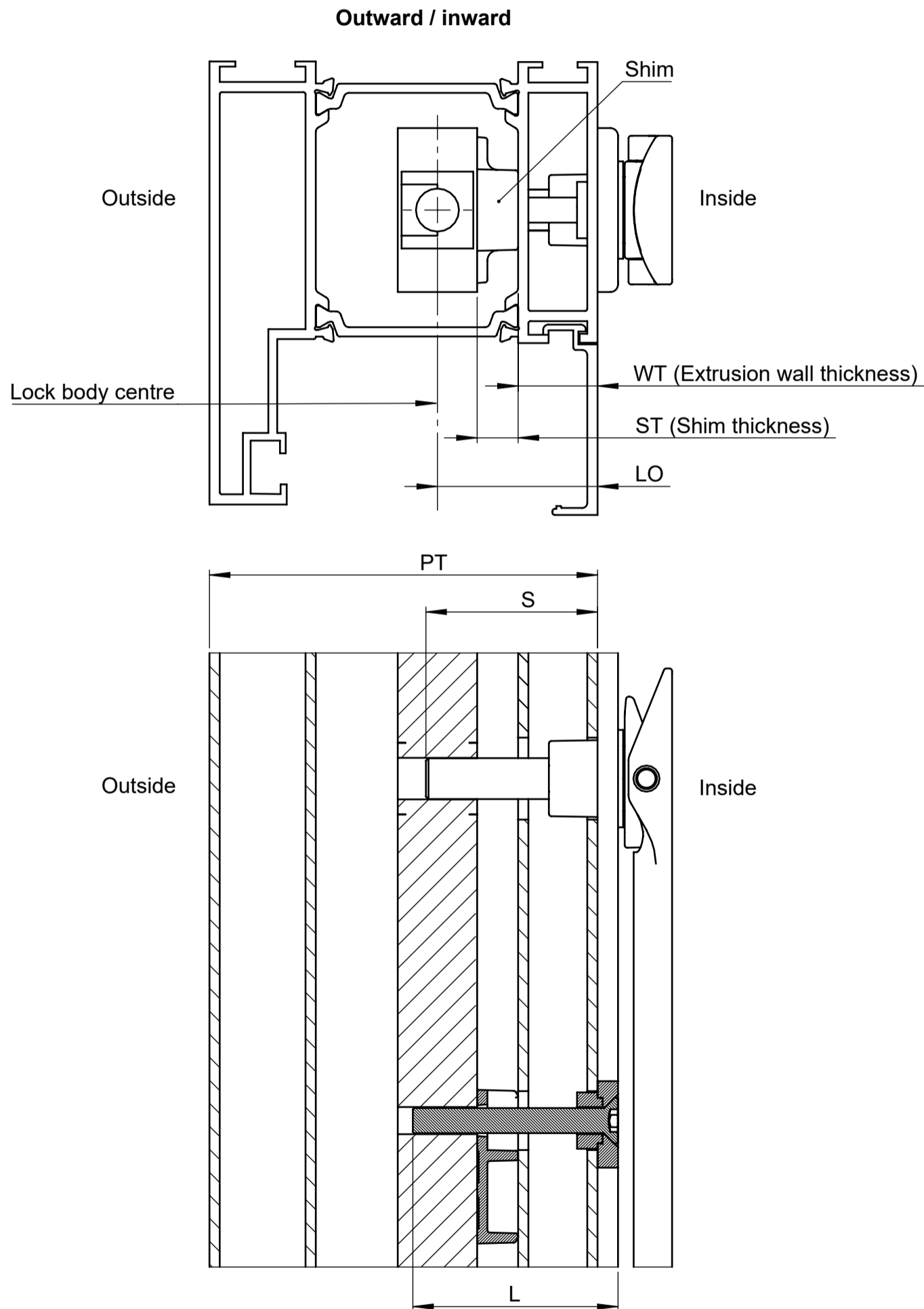
Notes:
The spindles are factory fitted into the handles and cannot be removed.

STAINLESS STEEL HANDLES H01

SPINDLE & SCREWS - HOLLOW PANELS, SINGLE HANDLES

Standard single handle kits

Handle item#	Spindle length S		Screw length L		Opening	Panel thickness PT	Lock body offset LO			
							Min.		Max.	
TPL-002-C-*	0.807"	20.5mm	0.984"	25mm	Any	Any	0.689"	17.5mm	0.866"	22.0mm
TPL-002-G-*	1.161"	29.5mm	1.378"	35mm					1.260"	32.0mm
TPL-002-I-*	1.319"	33.5mm	1.575"	40mm					1.417"	36.0mm



Notes:

1. The lock body offset is the distance from the inside face of the panel to the centre of the lock body.
2. The spindle and screws can be cut to suit smaller lock body offset.
3. The spindle and screws can extend through the lock body provided they don't interfere with the stile.

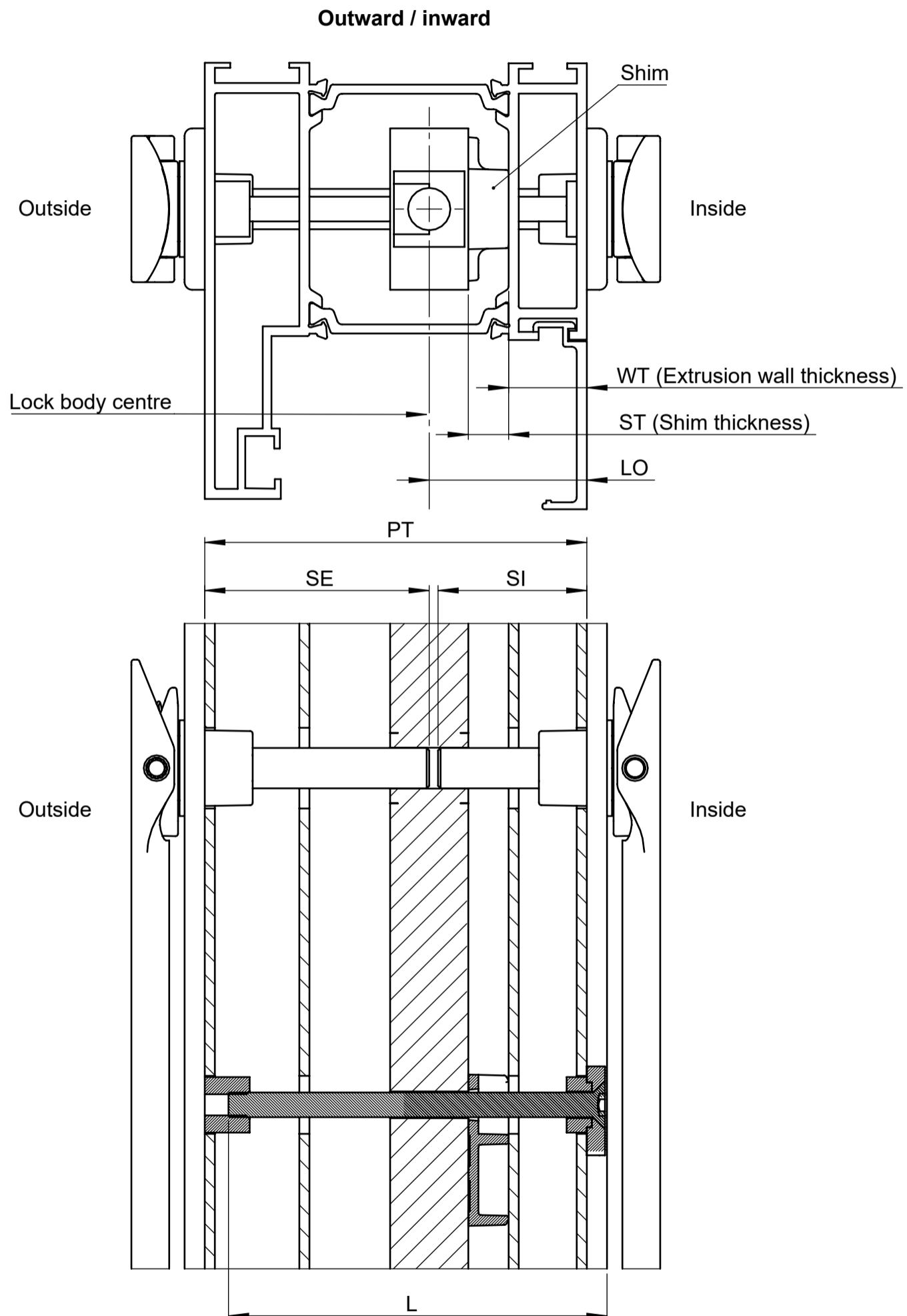
Lock body offset	Minimum spindle length	Minimum screw length
$LO = WT + ST + 7.75\text{mm}$	$S_{\text{min}} = LO - 2.0\text{mm}$	$L_{\text{min}} = LO - 1.0\text{mm}$

STAINLESS STEEL HANDLES H01

SPINDLE & SCREWS - HOLLOW PANELS, DOUBLE HANDLES

Standard double handle kits

Handle item No.	Spindle length internal SI		Spindle length external SE		Screw length L		Opening	Panel thickness PT		Lock body offset LO	
	TPL-001-AE-*	0.650"	16.5mm	0.965"	24.5mm	1.772"		45mm	Any	1 3/4"	44.5mm
TPL-001-EG-*	0.965"	24.5mm	1.161"	29.5mm	2.362"	60mm	2 1/4"	57.2mm		1.024"	26.0mm



Non-standard panel thickness

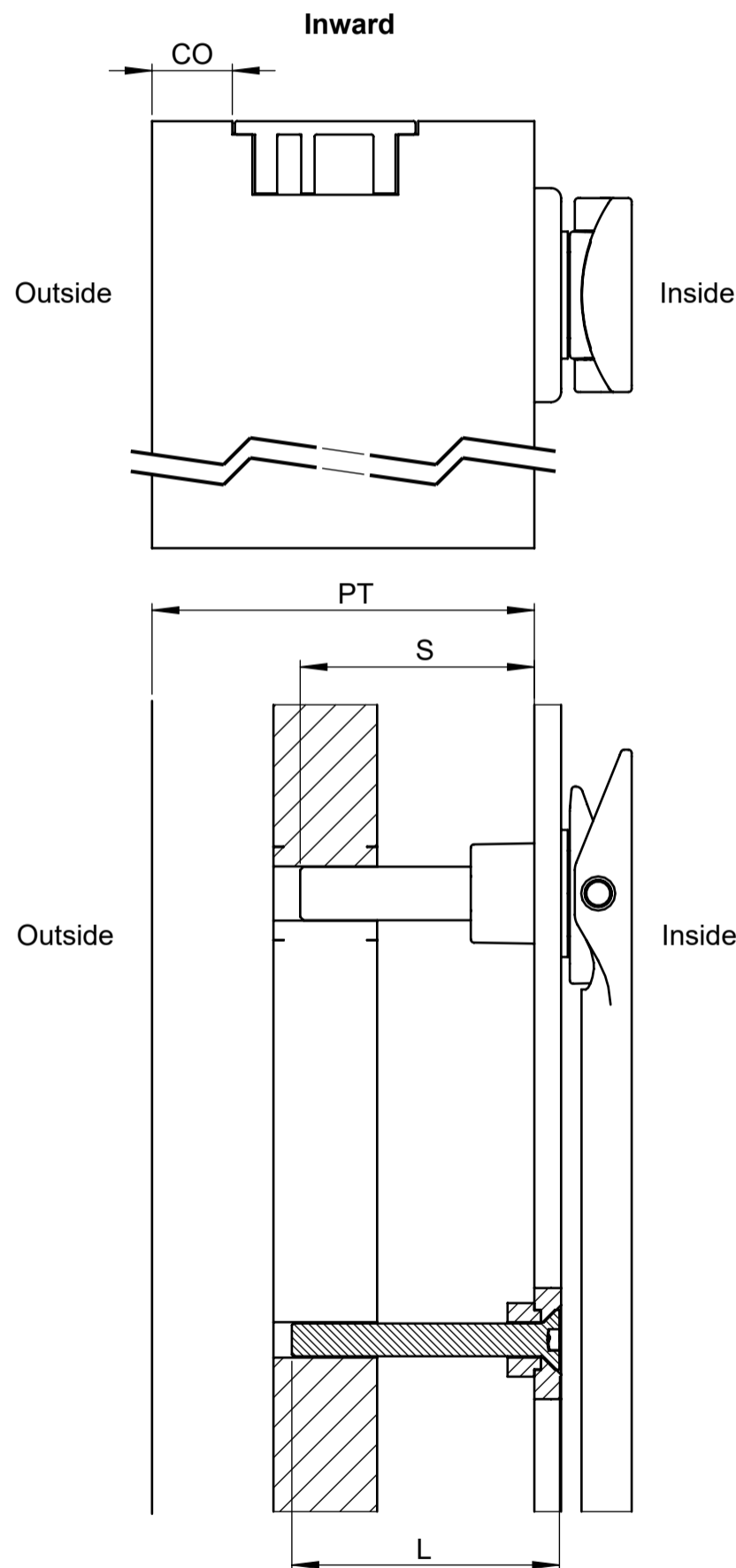
1. If the handles are fitted to thinner panels then the lock cylinder will protrude on the outside.
2. The lock cylinder can not protrude on the inside or the thumb turn will hit the opposite stile when the doors are opened.
3. The external spindle and the screws will need to be cut to suit thinner panels.

Lock body offset	External spindle length		Screw length	
$LO = WT + ST + 7.75\text{mm}$	$SE_{\min} = PT - LO - 2.5\text{mm}$	$SE_{\max} = PT - LO - 0.5\text{mm}$	$L_{\min} = PT$	$L_{\max} = PT + 4.0\text{mm}$

STAINLESS STEEL HANDLES H01 SPINDLE & SCREWS - WOOD PANELS, SINGLE HANDLE

Standard single handle kits

Handle item No.	Spindle length S		Screw length L		Opening	Panel thickness PT		Cover offset CO	
	TPL-002-C-*	0.807"	20.5mm	0.984"		25mm	Outward	Any size	
TPL-002-G-*	1.161"	29.5mm	1.378"	35mm	Inward	1.622" - 1.974"		41.2 to 50.1mm	0.157"
TPL-002-I-*						1.319"	33.5mm	1.575"	40mm
	1.819" - 2.131"	46.2 to 54.1mm	0.157"	4.0mm					
						2.134" - 2.446"	54.2 to 62.1mm	0.472"	12.0mm



Non-standard panel thickness - Inward opening

1. Use the formulas in the table below to calculate the length in the event that the spindle and screws need to be cut.

Spindle length		Screw length	
$S_{min} = PT - CO - 16.0mm$	$S_{max} = PT - CO - 7.0mm$	$L_{min} = PT - CO - 11.0mm$	$L_{max} = PT - CO - 3.0mm$

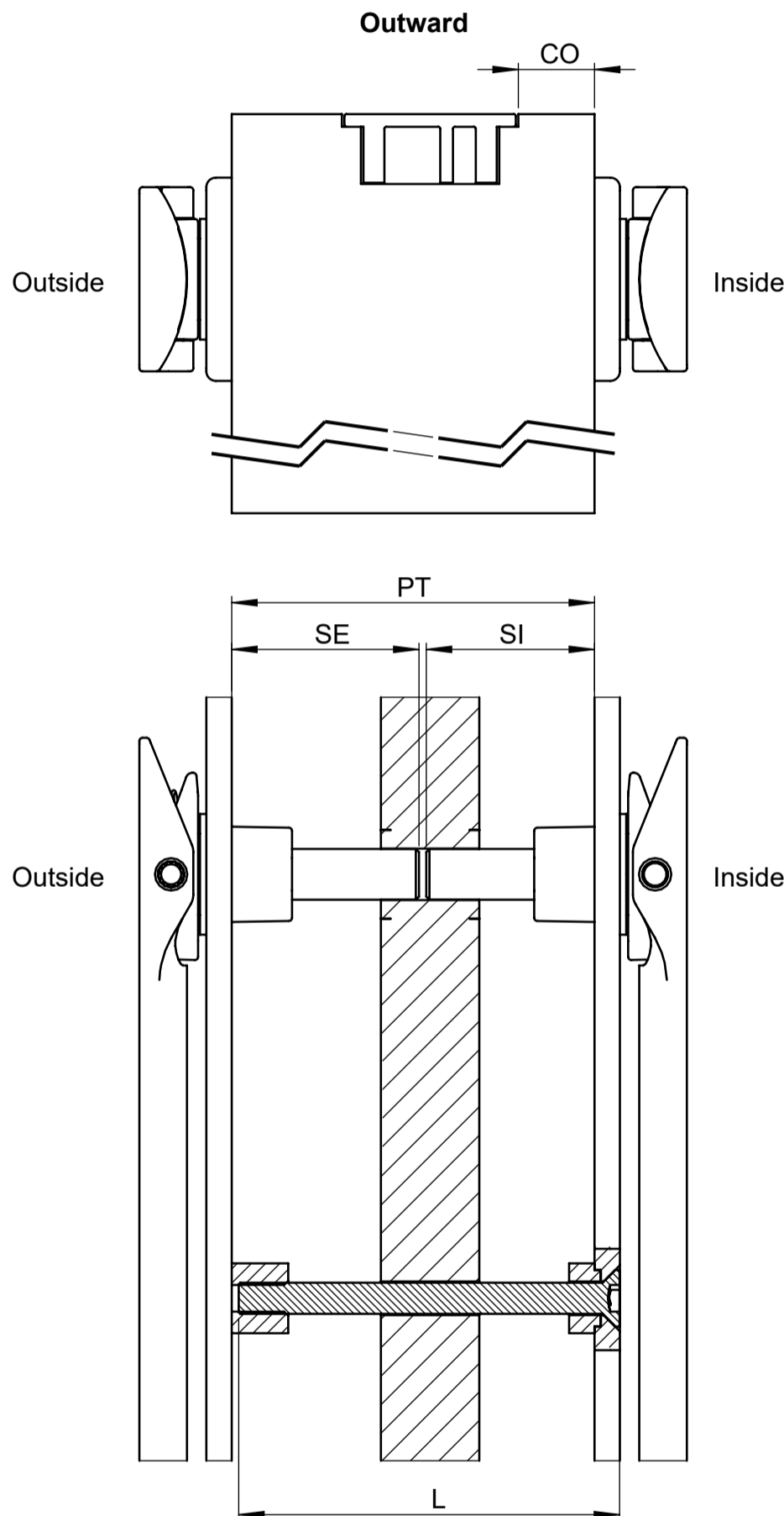
STAINLESS STEEL HANDLES H01

SPINDLE & SCREWS - WOOD PANELS, DOUBLE HANDLE

Important: Double handle is only available for outward opening due to limited range of lock cylinders.

Standard double handle kits

Handle item#	Spindle length internal SI		Spindle length external SE		Screw length L		Opening	Panel thickness PT		Cover offset CO	
	TPL-001-AE-*	0.650"	16.5mm	0.965"	24.5mm	1.772"		45mm	Outward	1 3/4"	44.5mm
TPL-001-EG-*	0.965"	24.5mm	1.161"	29.5mm	2.362"	60mm	2 1/4"	57.2mm		0.472"	12.0mm



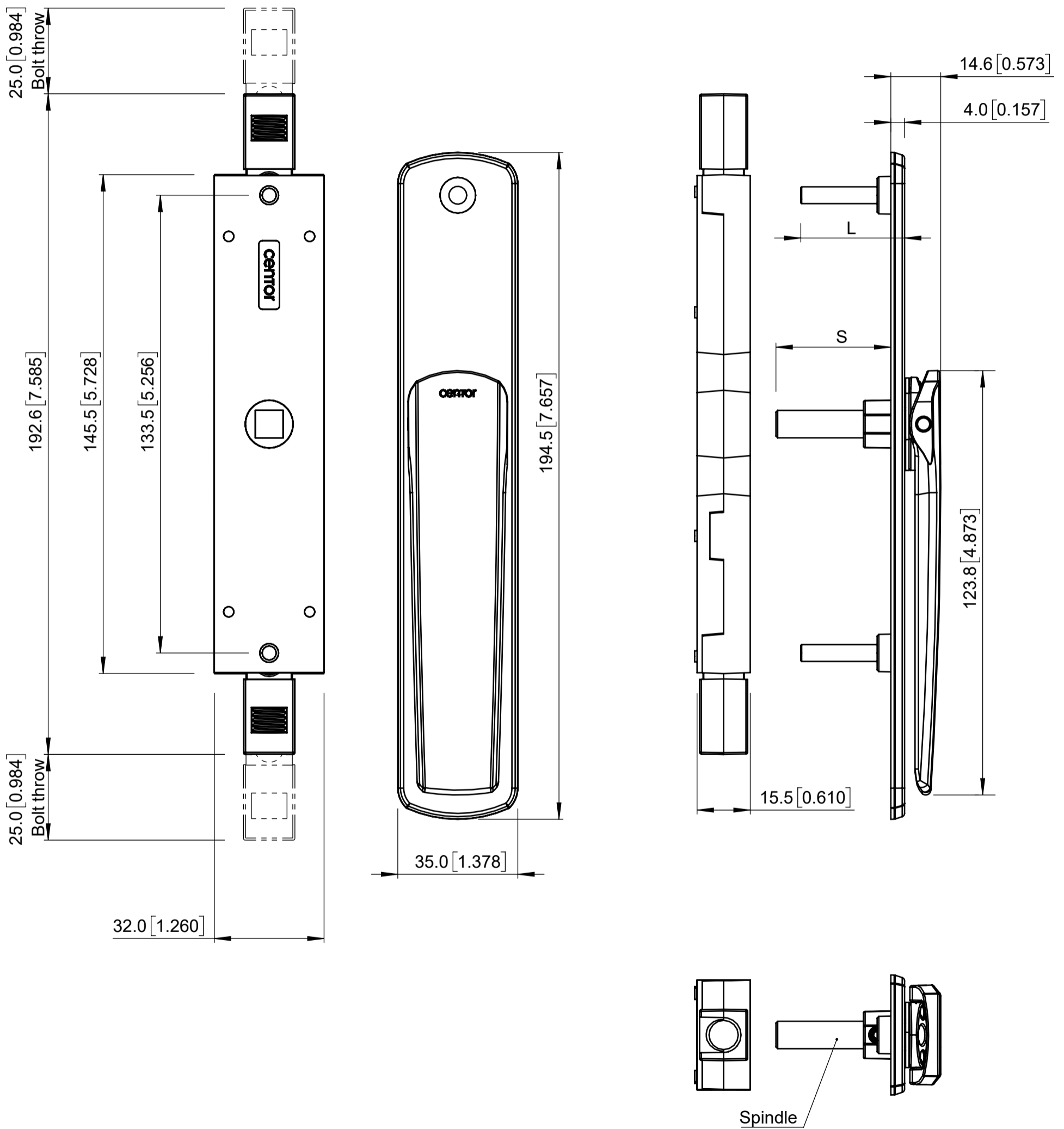
Non-standard panel thickness

1. If the handles are fitted to thinner panels then the lock cylinder will protrude on the outside.
2. The lock cylinder can not protrude on the inside or the thumb turn will hit the opposite stile when the doors are opened.
3. The external spindle and the screws will need to be cut to suit thinner panels.

Spindle length		Screw length	
$SE_{min} = PT - CO - 16.5mm$	$SE_{max} = PT - CO - 14.5mm$	$L_{min} = PT$	$L_{max} = PT + 4.0mm$

ZINC DIECAST HANDLES H02

PRODUCT DETAIL - SINGLE HANDLE, NON-KEYED, SHORT

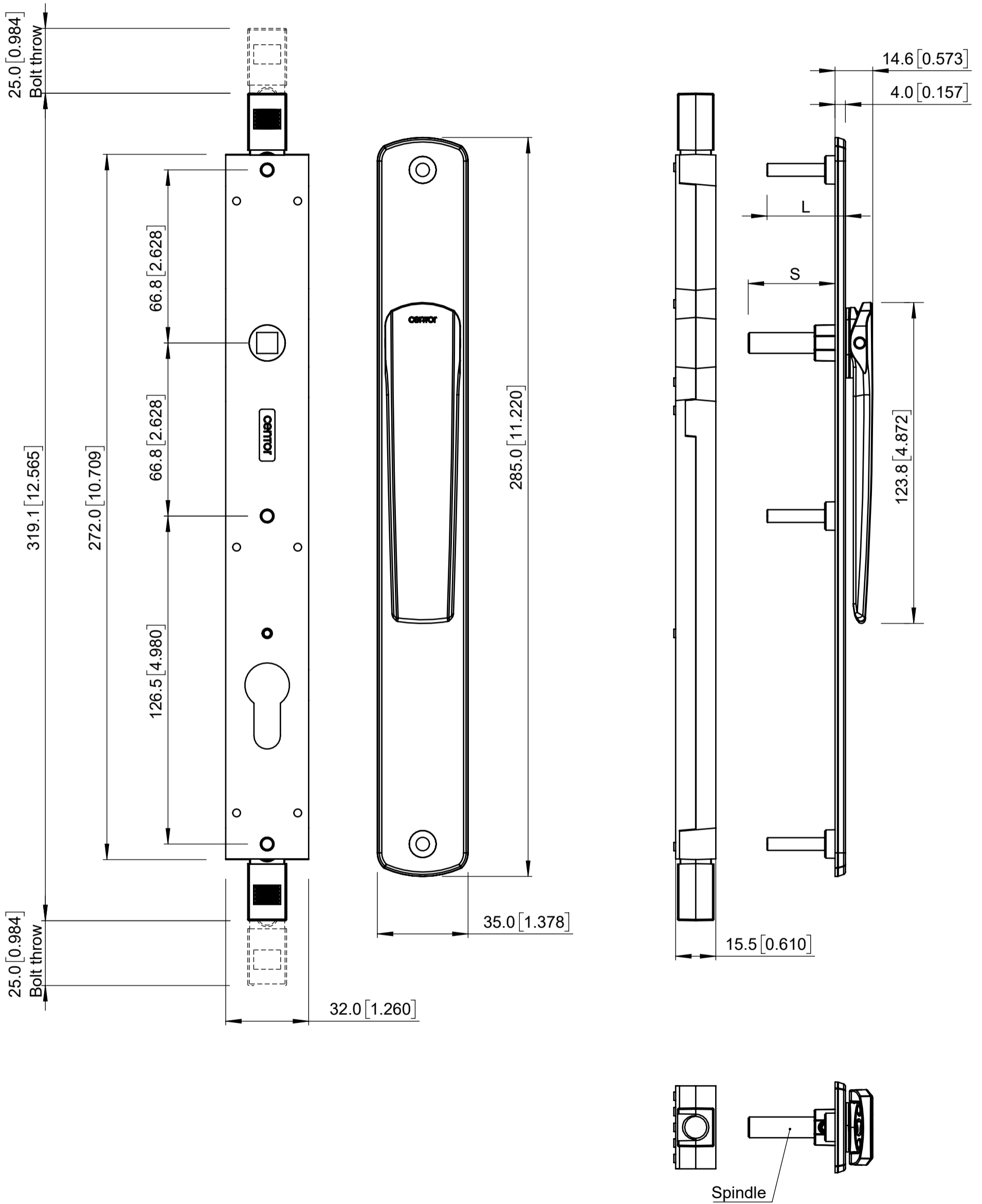


Notes:

Interchangeable spindles and mounting screws with different lengths are supplied in the handle kit.

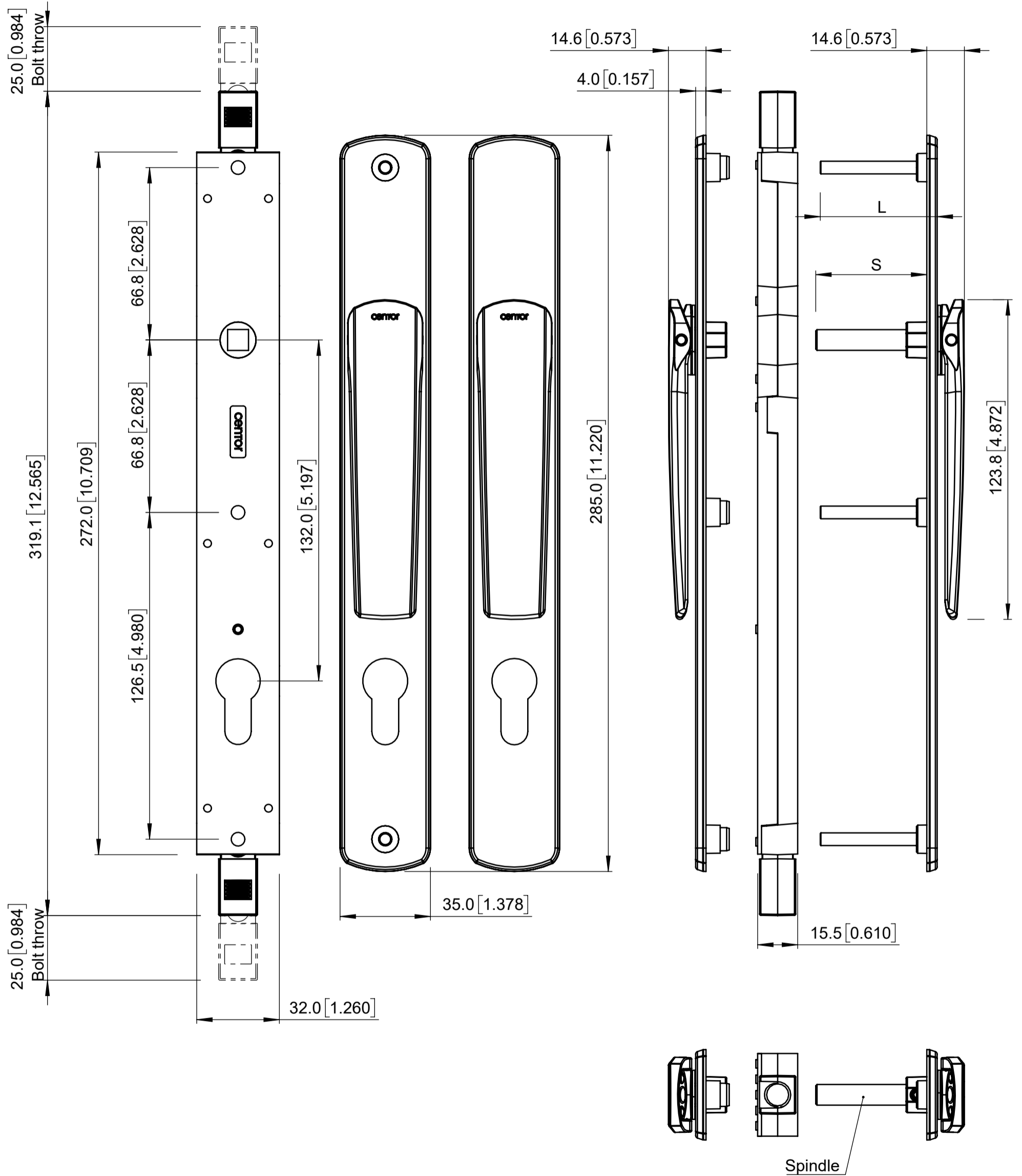
ZINC DIECAST HANDLES H02

PRODUCT DETAIL - SINGLE HANDLE, NON-KEYED, LONG



Notes:

Interchangeable spindles and mounting screws with different lengths are supplied in the handle kit.



Notes:

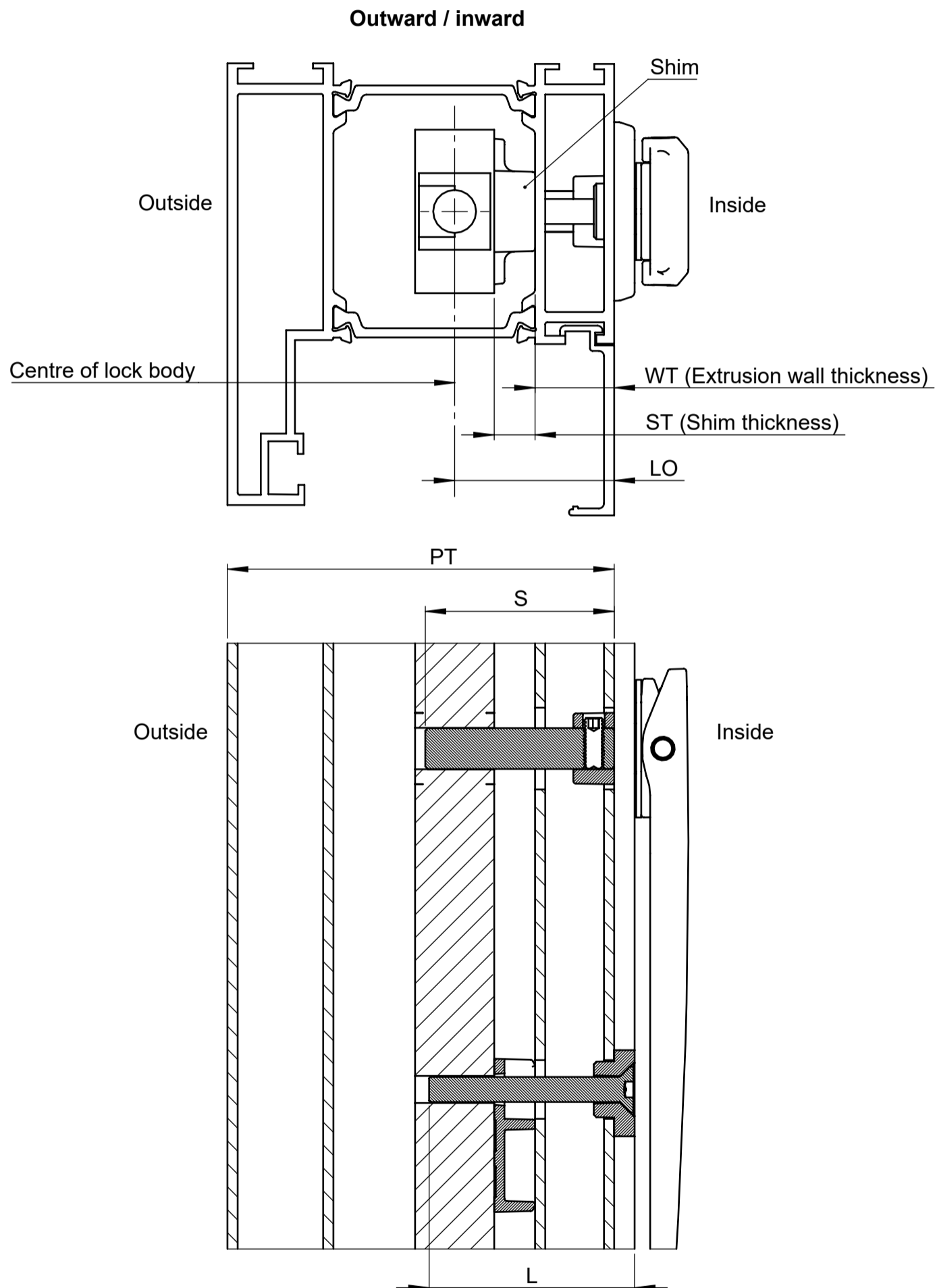
Interchangeable spindles and mounting screws with different lengths are supplied in the handle kit.

ZINC DIECAST HANDLES H02

SPINDLE & SCREWS - HOLLOW PANELS, SINGLE HANDLES

Standard single handle kits

Handle item No.	Spindle length S		Screw length L		Opening	Panel thickness PT	Lock body offset LO			
							Min.		Max.	
TPL-055-01-* & TPL-056-01-*	0.984"	25.0mm	1.181"	30mm	Any	Any size	0.630"	16.0mm	1.063"	27.0mm
	1.457"	37.0mm	1.378"	35mm					1.260"	32.0mm



Lock body offset - non-standard

1. The lock body offset is the distance from the inside face of the panel to the centre of the lock body.
2. For a lock body offset not covered in the table above, a 100mm long spindle kit in the appropriate finish (TPL-058-100-*) can be purchased, and the spindle and screws can be cut in accordance to the formulas in the table below.
3. The spindle and screws can extend through the lock body provided they don't interfere with the stile.

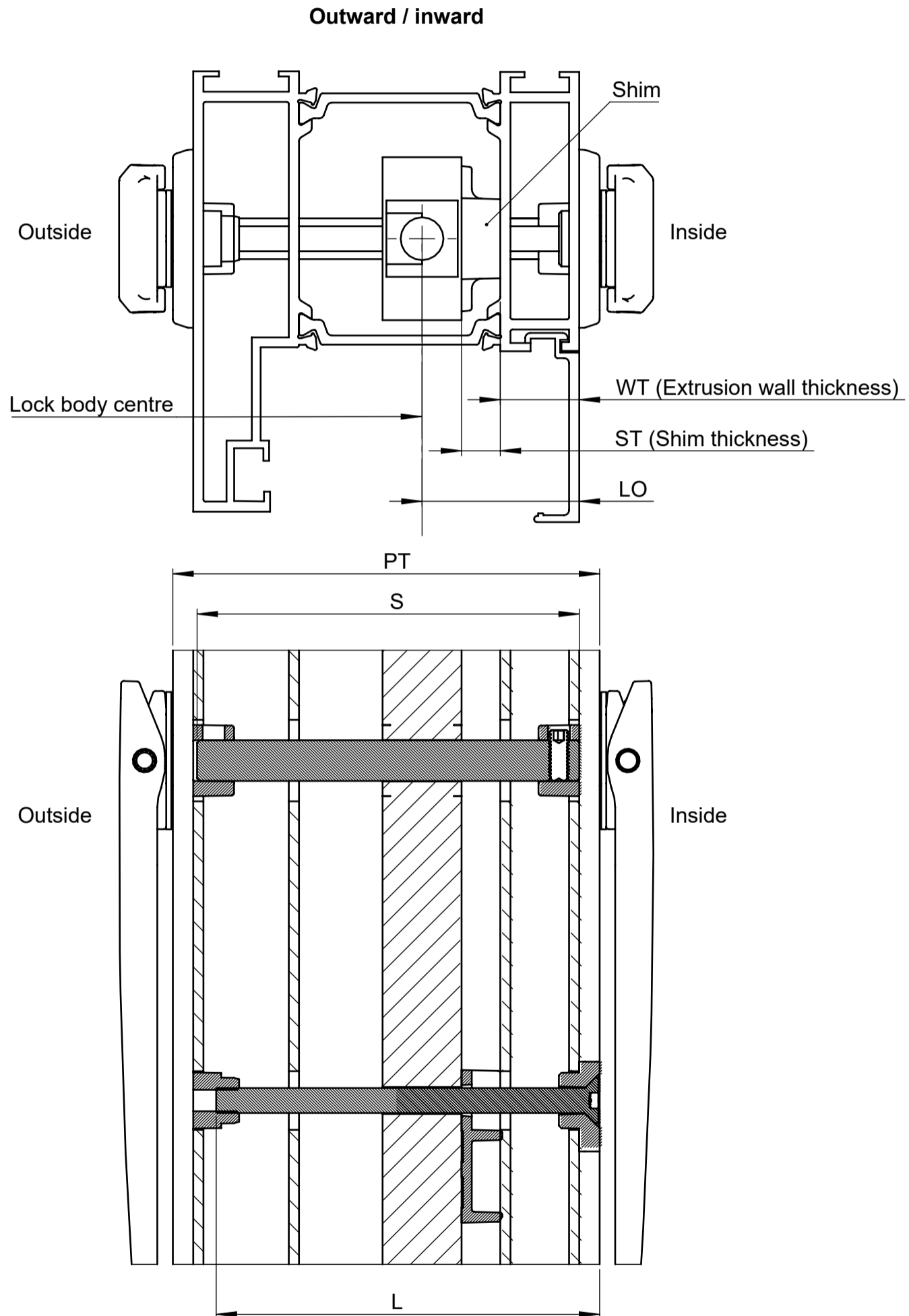
Lock body offset	Minimum spindle length	Minimum screw length
$LO = WT + ST + 7.75\text{mm}$	$S_{\text{min}} = LO - 2.0\text{mm}$	$L_{\text{min}} = LO - 1.0\text{mm}$

ZINC DIECAST HANDLES H02

SPINDLE & SCREWS - HOLLOW PANELS, DOUBLE HANDLES

Standard double handle kit

Handle item No.	Spindle length S		Screw length L		Opening	Panel thickness PT		Lock body offset LO	
	TPL-054-02-*	1.693"	43.0mm	1.772"		45mm	Any	1 3/4"	44.5mm
	2.205"	56.0mm	2.362"	60mm	2 1/4"	57.2mm		1.024"	26.0mm



Non-standard panel thickness

1. If the handles are fitted to thinner panels then the lock cylinder will protrude on the outside.
2. The lock cylinder can not protrude on the inside or the thumb turn will hit the opposite stile when the doors are opened.
3. The external spindle and the screws will need to be cut to suit thinner panels.

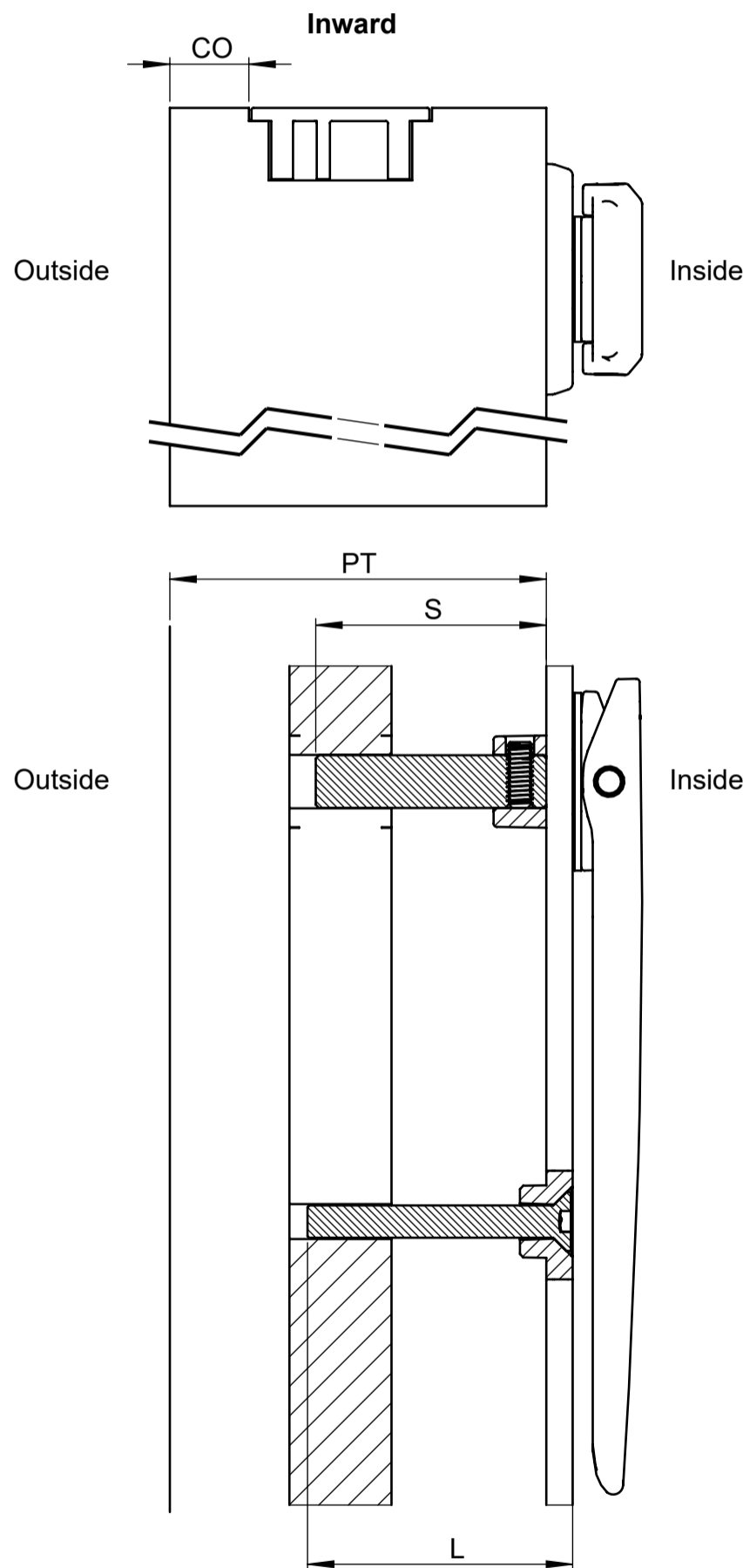
Lock body offset	Spindle length		Screw length	
$LO = WT + ST + 7.75\text{mm}$	$S_{\min} = PT - 4.0\text{mm}$	$S_{\max} = PT - 1.0\text{mm}$	$L_{\min} = PT$	$L_{\max} = PT + 4.0\text{mm}$

ZINC DIECAST HANDLES H02

SPINDLE & SCREWS - WOOD PANELS, SINGLE HANDLES

Standard single handle kits

Handle item No.	Spindle length S		Screw length L		Opening	Panel thickness PT		Cover offset CO	
	TPL-055-01-* & TPL-056-01-*	0.984"	25.0mm	1.181"		30mm	Outward	Any size	
1.457"		37.0mm	1.378"	35mm	Inward	1.425" - 1.777"	36.2 to 45.1mm		
0.984"		25.0mm	1.181"	30mm		1.858" - 1.974"	47.2 to 50.1mm		
1.457"		37.0mm	1.378"	35mm		1.740" - 2.092"	44.2 to 53.1mm		
						2.173" - 2.289"	55.2 to 58.1mm	0.472"	12.0mm



Non-standard panel thickness - Inward opening

1. Purchase the spindle kit in the appropriate finish (TPL-058-100-*).
2. Cut the spindle and the screws in accordance with the formulas in below table to suit panel thickness not covered in the table above.

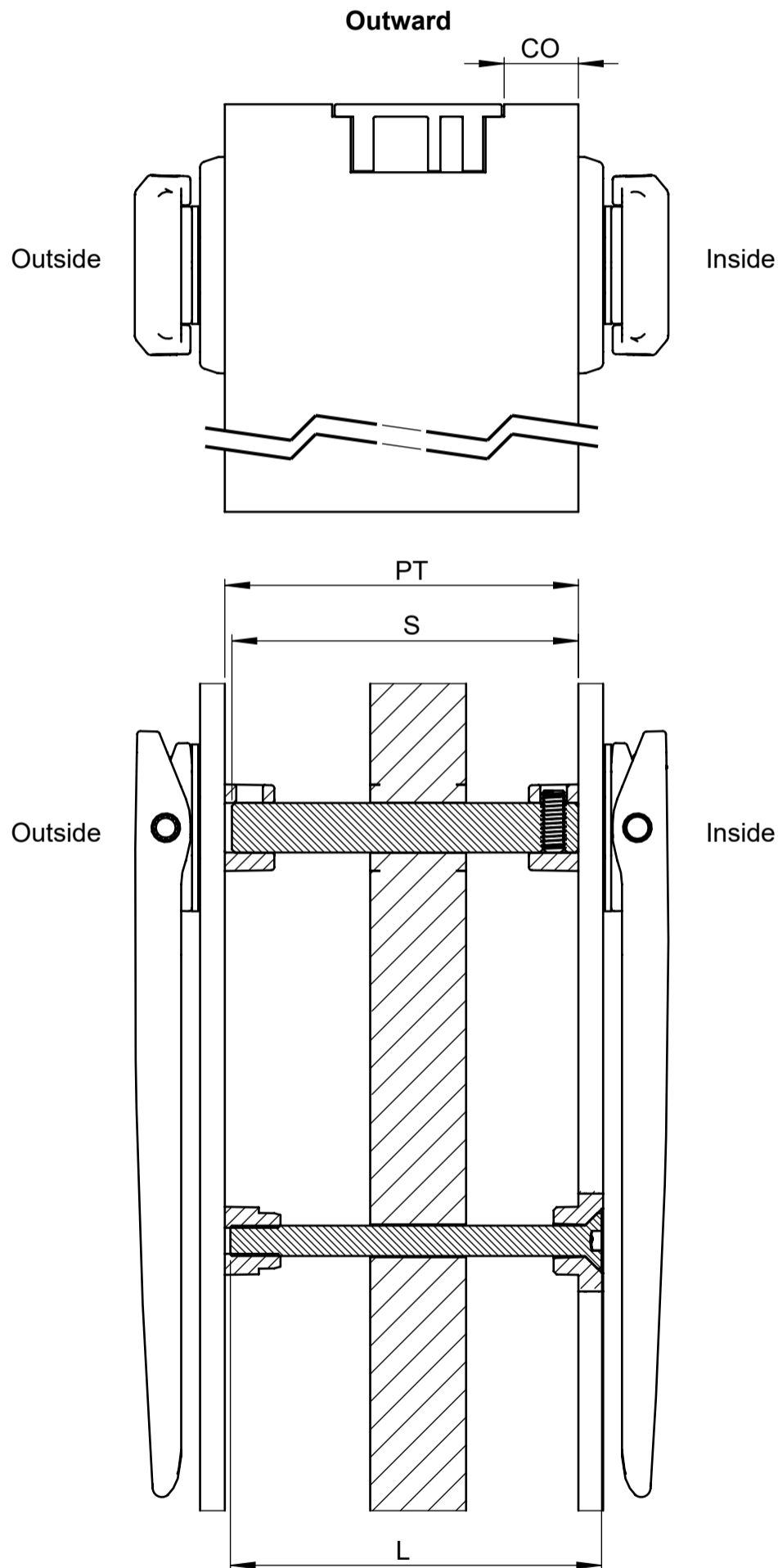
Spindle length		Screw length	
$S_{min} = PT - CO - 16.0mm$	$S_{max} = PT - CO - 7.0mm$	$L_{min} = PT - CO - 11.0mm$	$L_{max} = PT - CO - 3.0mm$

ZINC DIECAST HANDLES H02 SPINDLE & SCREWS - WOOD PANELS, DOUBLE HANDLES

Important: Double handle is only available for outward opening due to limited range of lock cylinders.

Standard double handle kit

Handle item No.	Spindle length S		Screw length L		Opening	Panel thickness PT		Cover offset CO	
	TPL-054-02-*	1.693"	43.0mm	1.772"		45mm	Outward	1 3/4"	44.5mm
	2.205"	56.0mm	2.362"	60mm	2 1/4"	57.2mm		0.472"	12.0mm



Non-standard panel thickness

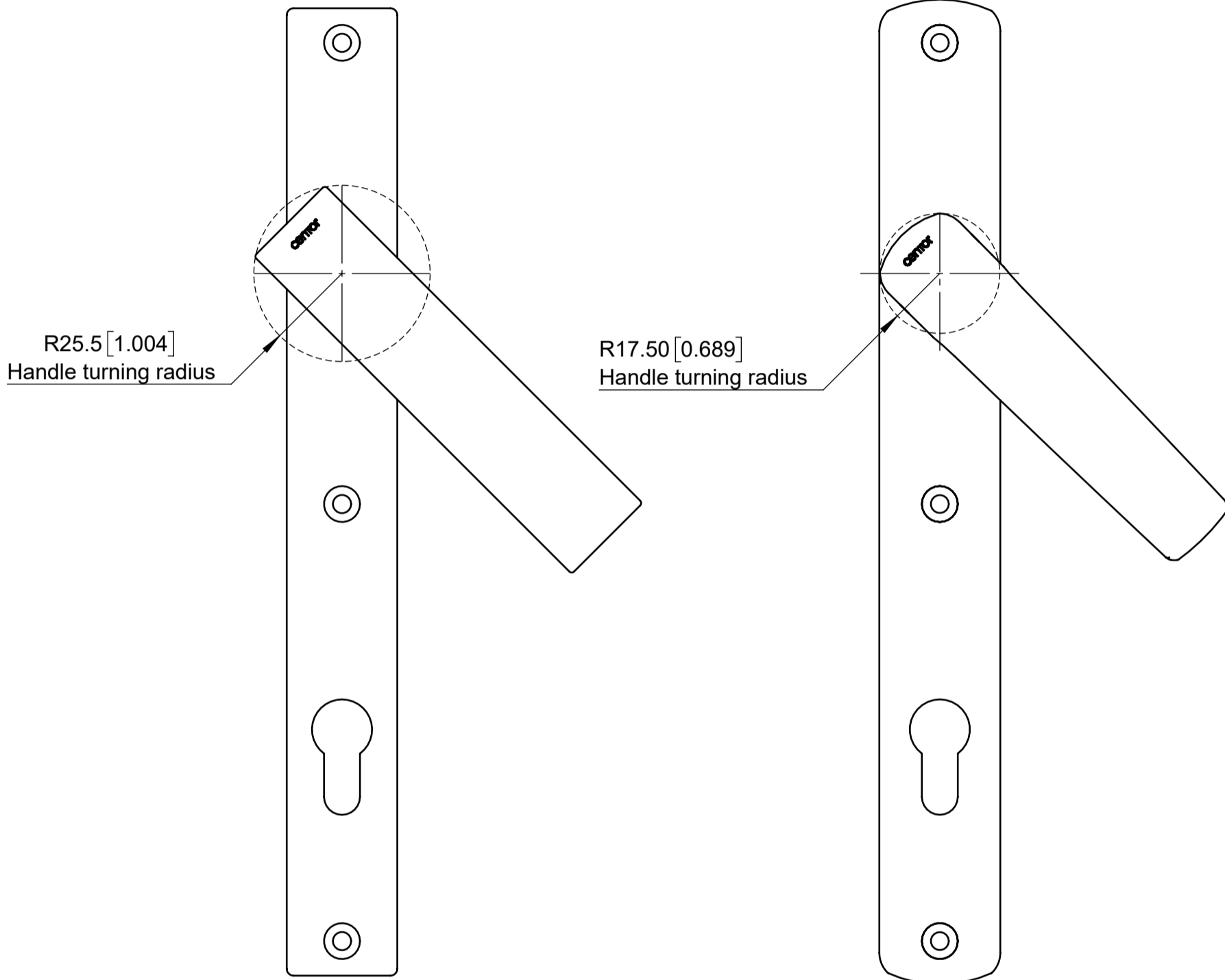
1. If the handles are fitted to thinner panels then the lock cylinder will protrude on the outside.
2. The lock cylinder can not protrude on the inside or the thumb turn will hit the opposite stile when the doors are opened.
3. The external spindle and the screws will need to be cut to suit thinner panels.

Spindle length		Screw length	
$S_{min} = PT - 4.0mm$	$S_{max} = PT - 1.0mm$	$L_{min} = PT$	$L_{max} = PT + 4.0mm$

HANDLE BACKSET DETAIL

Stainless steel handle

Zinc diecast handle



Notes:
Keyed handle shown. Same requirements apply to non-keyed version.

Centor North America

866 255 0008

+1 630 957 1000

customerserviceusa@centor.com

centor.com