

*TwinPoint Gen2*  
**WOOD PANELS**



*Folding door lock with internal and external access*

centor®

**INDEX**

<b>File download information</b>	<b>3</b>
<hr/>	
<b>Product details</b>	
Exploded view	4 - 6
Assembly detail	7 - 8
Lock cylinder	9
Bolt, cup and plate	10
<hr/>	
<b>Routing details</b>	<b>11 - 15</b>
<hr/>	
<b>Lock cylinder handing</b>	
Lock handing definition	16
Handing details	17 - 20
Lock position to suit folding hardware	21 - 22
<hr/>	
<b>Instructions</b>	
Formulas and limits	23 - 24
Assembly	25 - 28
Installation	29 - 30
<hr/>	
<b>Hardware selection - folding doors</b>	<b>31 - 38</b>
<hr/>	

**Download options**

Centor's brochures, technical documents and drawings can be downloaded from;

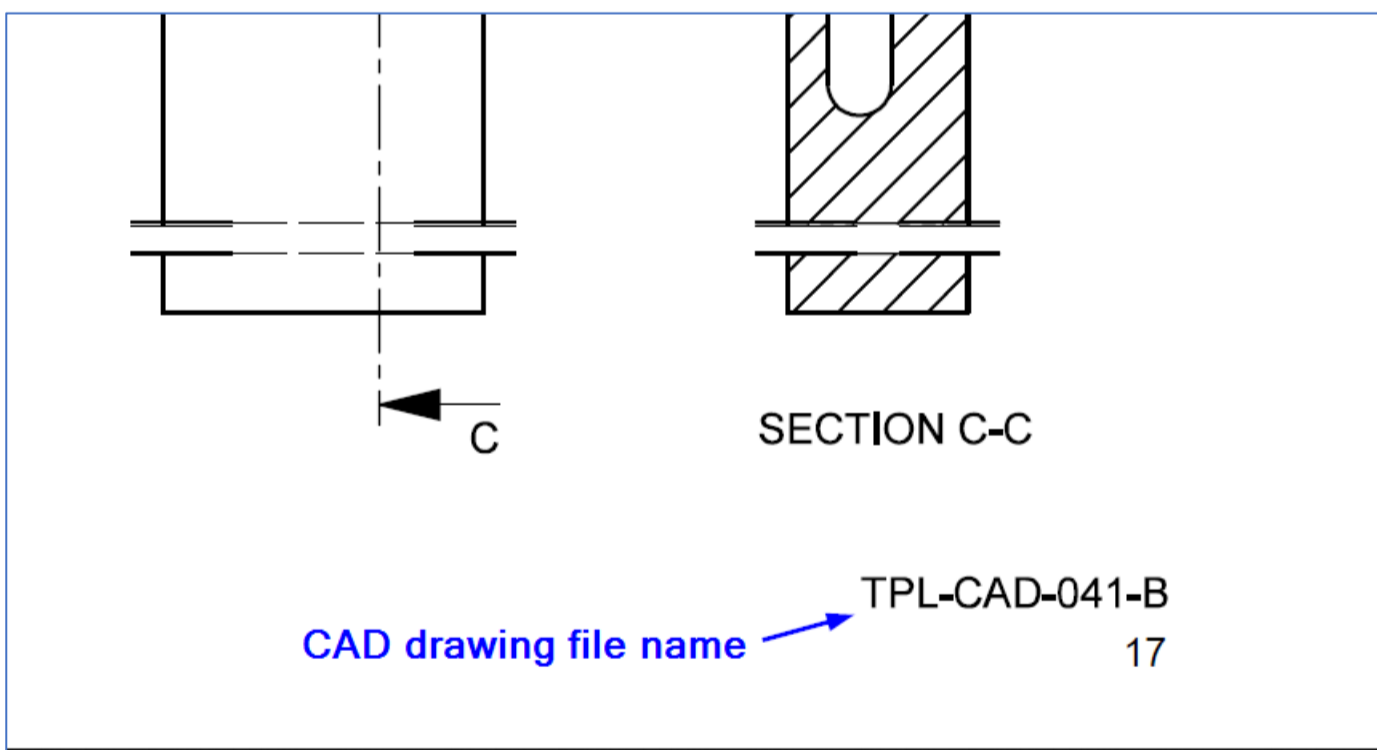
1. Bottom of the TwinPoint Gen2 website page
2. Professional section of Centor's webpage
3. This link. <https://centor.com/us/hardware-systems/accessories/centortwinpoint-lock>

Downloads	
TwinPoint Gen2 Brochure	pdf
TwinPoint Gen2 Hollow Panels technical document	pdf
TwinPoint Gen2 Wood Panels technical document	pdf
TwinPoint Gen2 Drawings (dwg)	zip
TwinPoint Gen2 Drawings (dxf)	zip

**2D CAD drawing download**

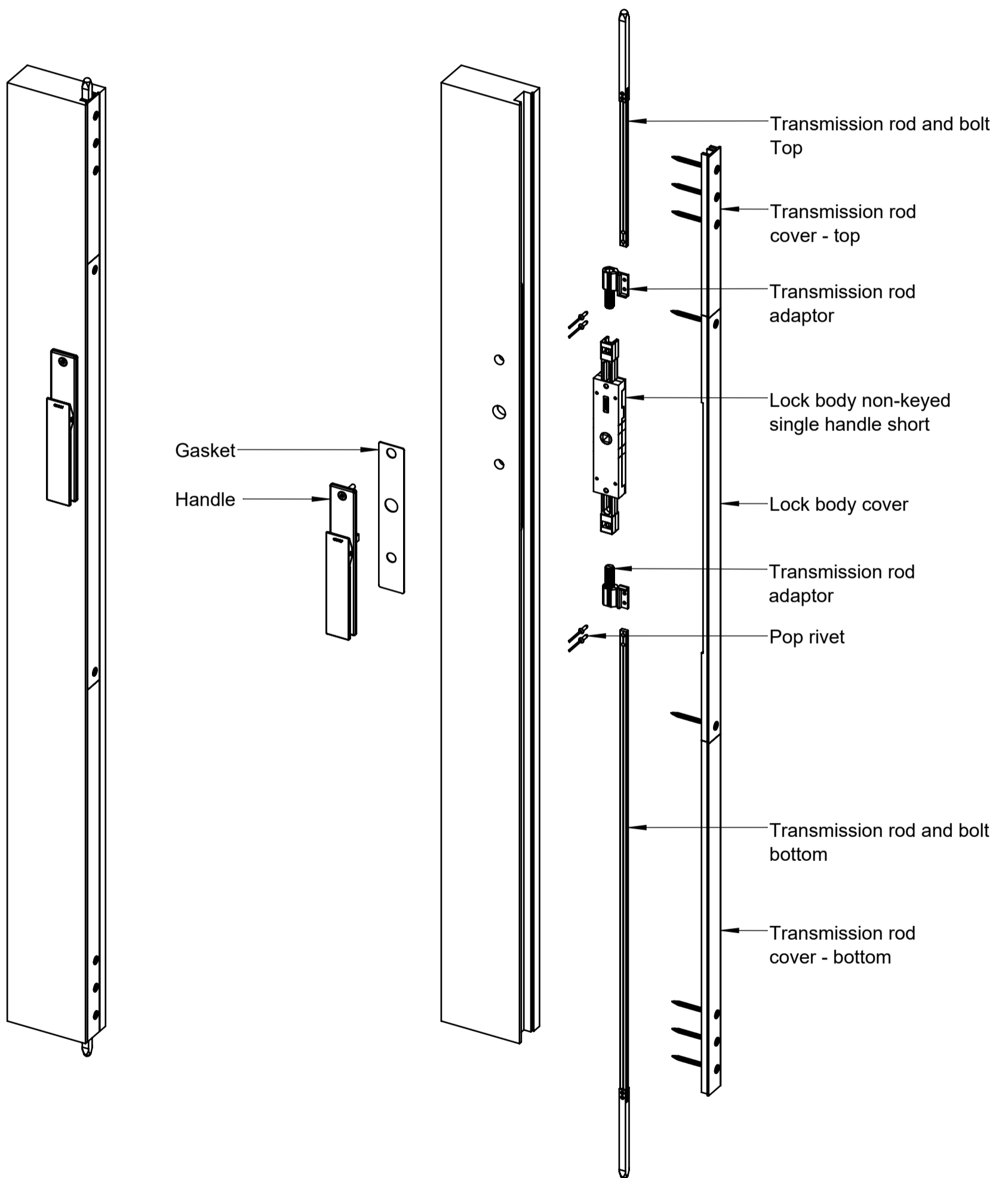
The drawings download provides a folder that contains all the drawings.

1. There are two folders. One for dwg and one for dxf.
2. Use the technical documents as an index to select the appropriate drawing. The drawing file name is printed at the bottom right corner of the page.



# PRODUCT DETAIL

Wood panels with TwinPoint Gen2 single handle, non-keyed, short

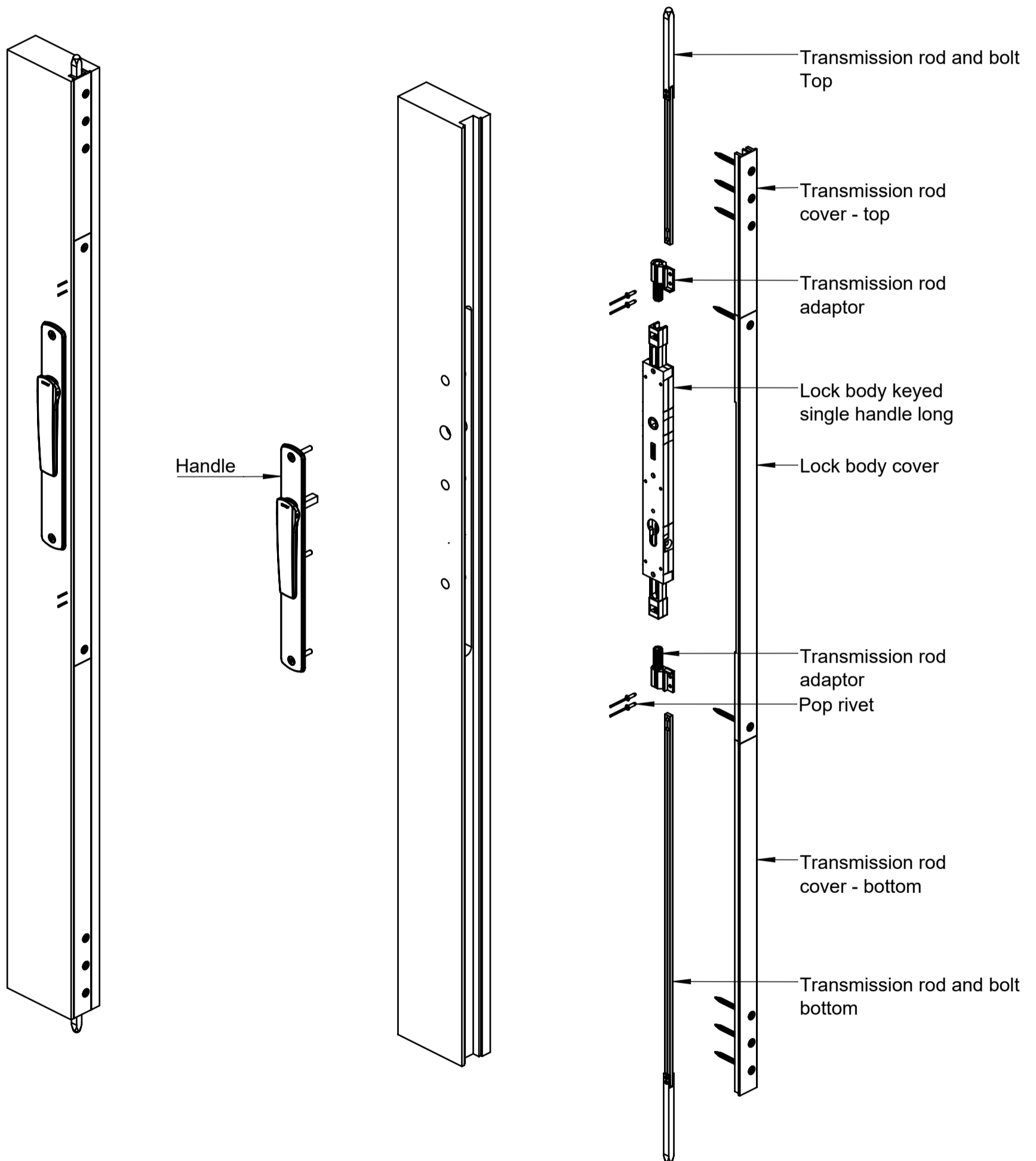


**Notes:**

1. Stainless steel single handle, non-keyed, short shown. Zinc diecast single handle, non-keyed, short is fitted the same way.
2. Gaskets not required for zinc diecast handles.

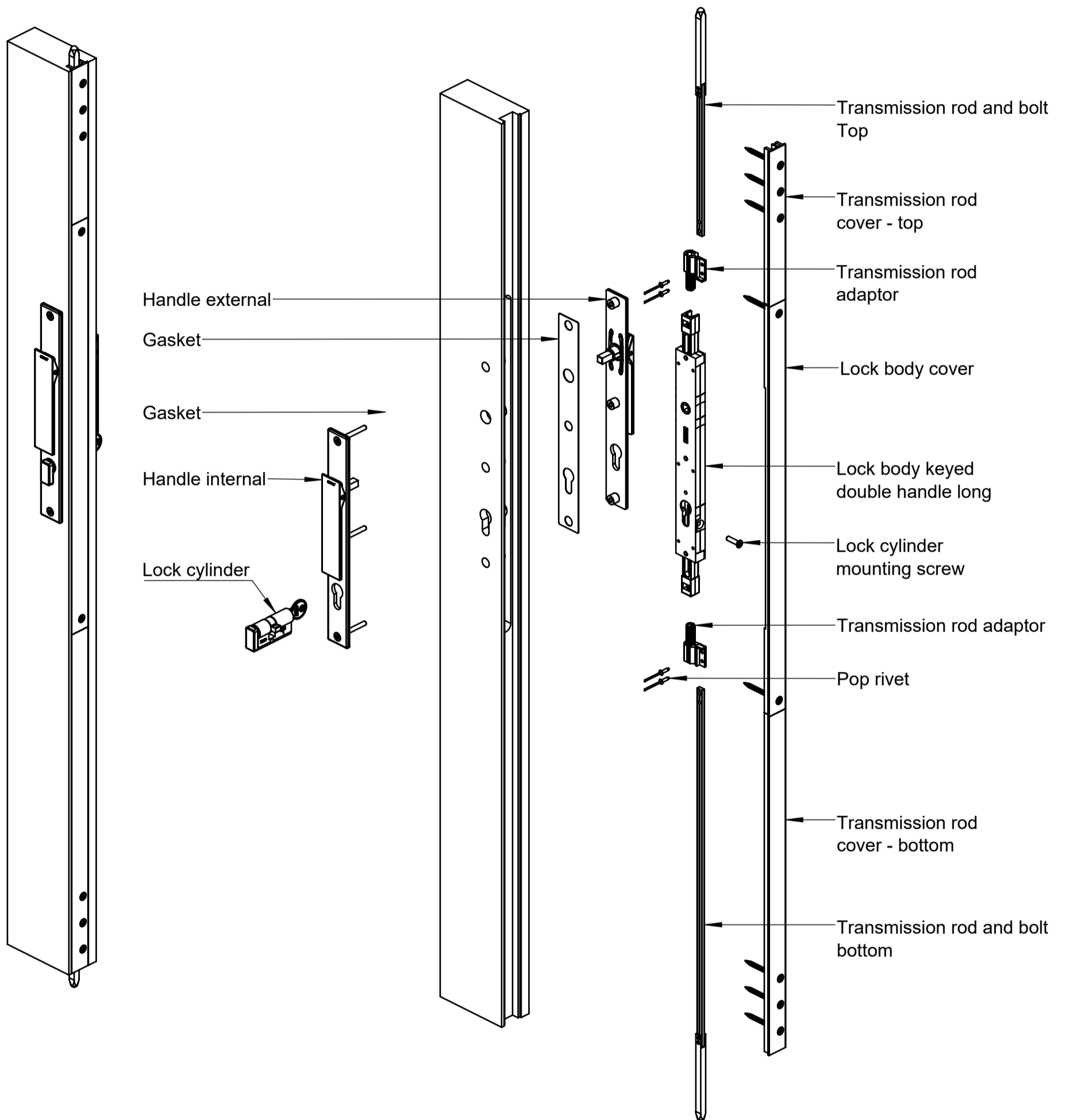
# PRODUCT DETAIL

Wood panels with TwinPoint Gen2 zinc diecast single handle, non-keyed, long



**PRODUCT DETAILS**

Wood panels with TwinPoint Gen2 double handle, keyed, long

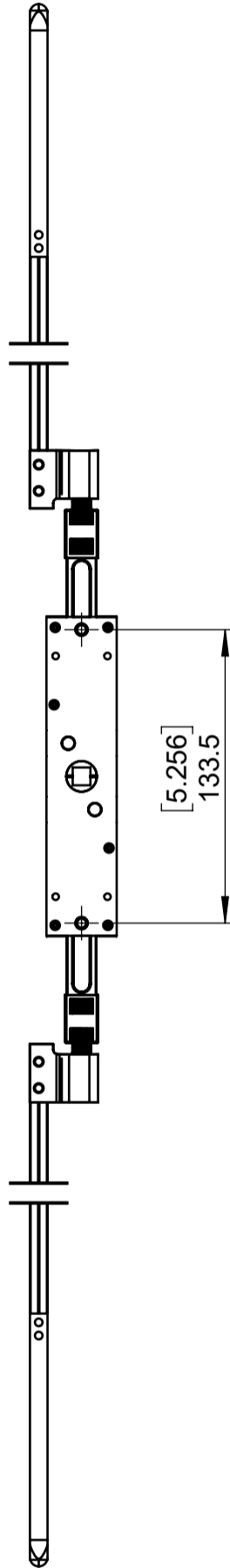


Notes:

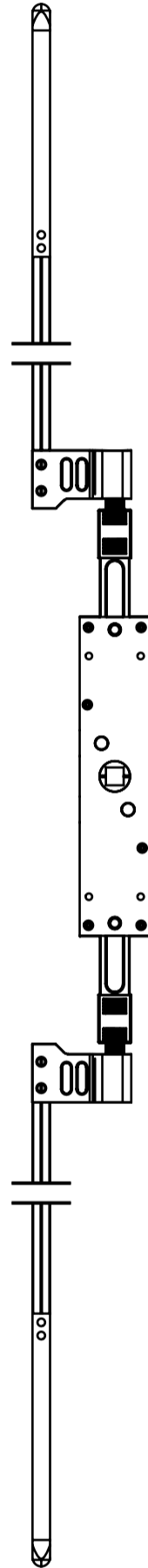
1. Stainless steel double handle, keyed, long shown. Zinc diecast double handle, keyed, long is fitted the same way.
2. Gaskets not required for zinc diecast handles.

# ASSEMBLY DETAIL

Non-keyed



Backset 26mm [1.024"]



Backset 40mm [1.575"]

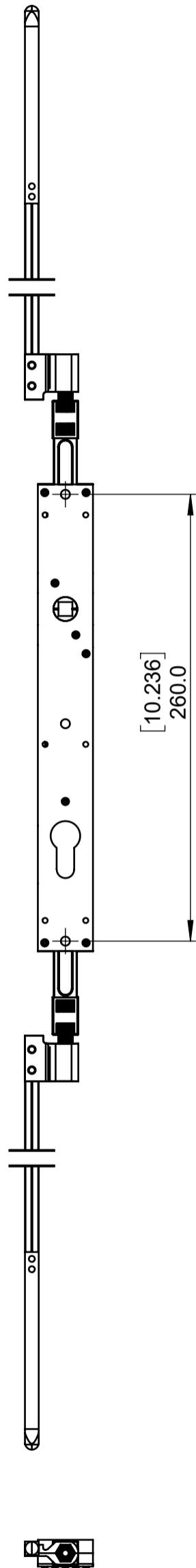


Notes:

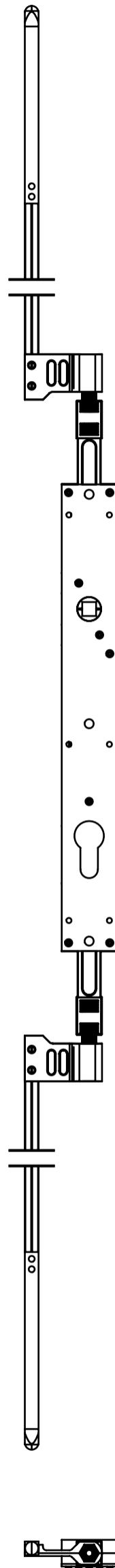
- 1. Lock shown in extended state.

# ASSEMBLY DETAIL

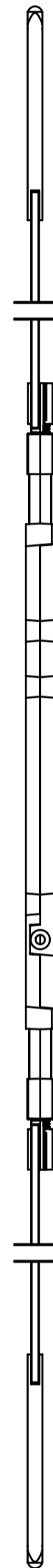
Keyed



Backset 26mm [1.024"]



Backset 40mm [1.575"]



Notes:

1. Lock shown in extended state.



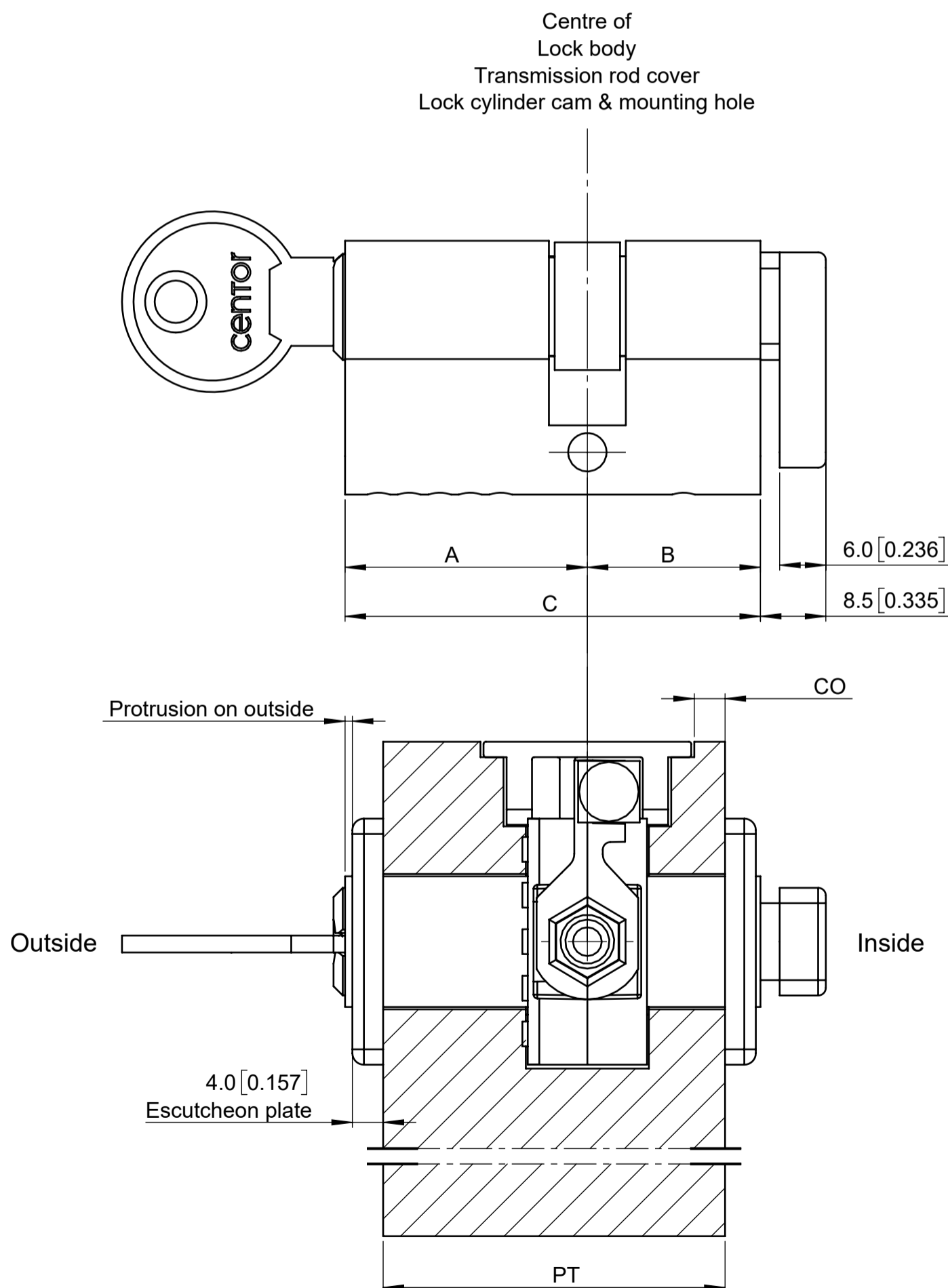
# LOCK CYLINDER DETAIL

## Lock cylinder sizes

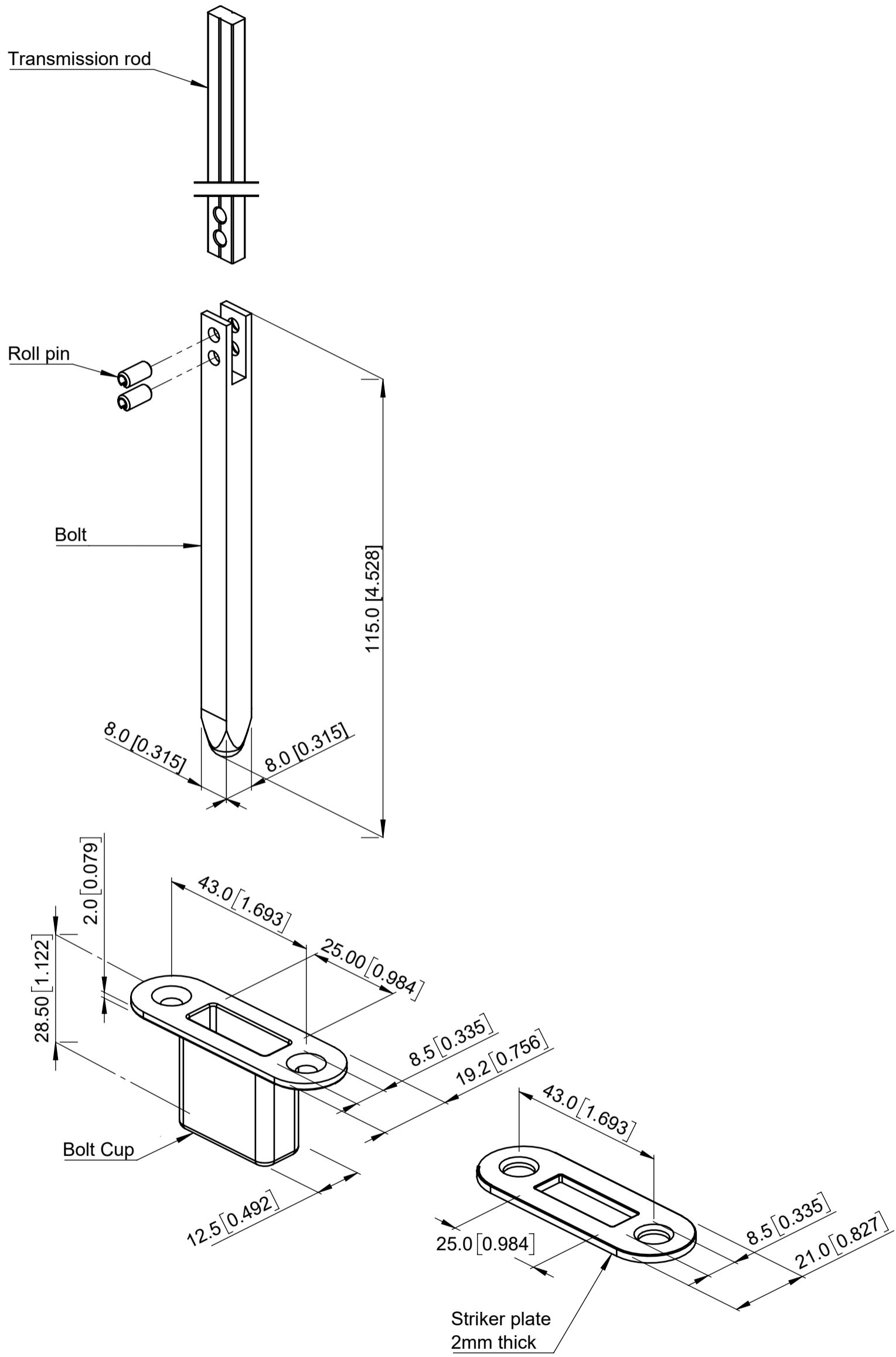
Cylinder item#	Opening	Panel thickness PT	Cover offset CO	Cylinder dimension		
				A	B	C
TPL-019-*	Outward	44.45mm [1.750]	4.0mm [0.157]	31.5mm [1.240]	22.5mm [0.886]	54mm [2.126]
TPL-020-*		57.15mm [2.250]	12.0mm [0.472] 11.0mm [0.433]	36.5mm [1.437]	30.5mm [1.201]	67mm [2.638]

Notes:

1. The lock cylinder can not protrude on the inside or the thumb turn will hit the opposite stile when the doors are opened.
2. The protrusion on the outside when fitted to thinner panels =  $A + CO - PT + 9.9\text{mm}$

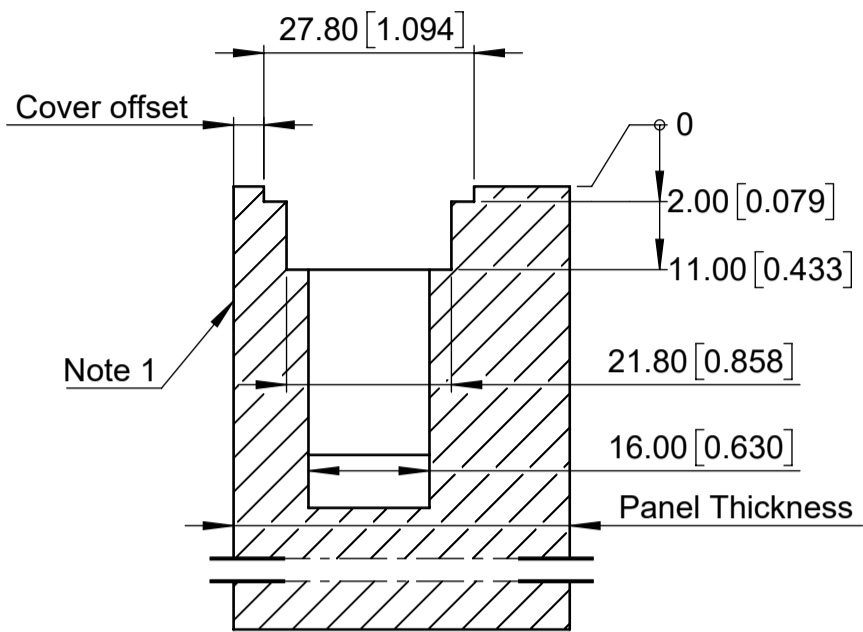


# BOLT AND CUP/STRIKE PLATE DETAIL



# ROUTING DETAIL - LOCK BODY

Single handle, non-keyed, short



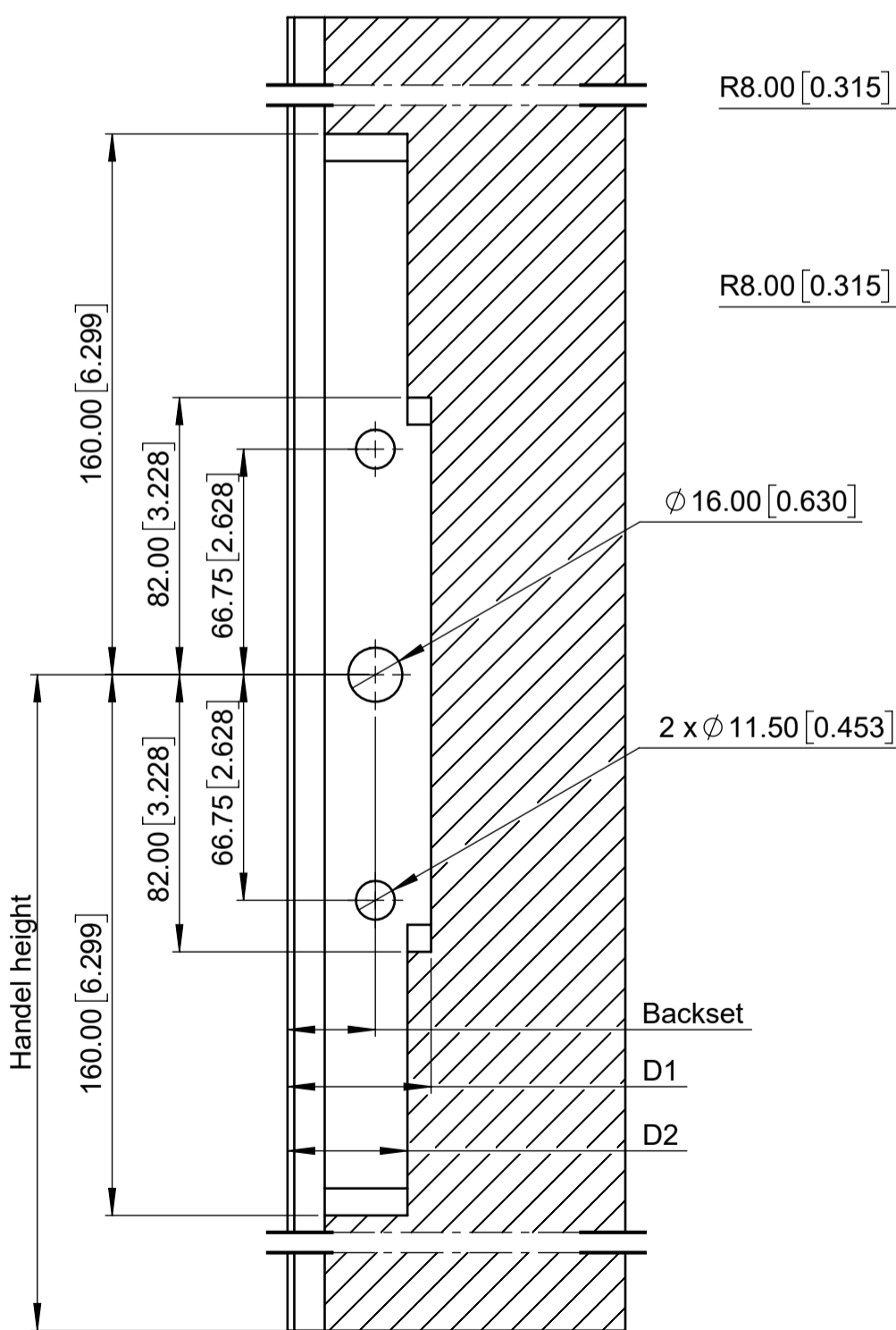
SECTION B-B  
SCALE 1 : 1

Backset (mm)	D1 (mm)	D2 (mm)
26.0	42.5	35.5
40.0	56.5	49.5

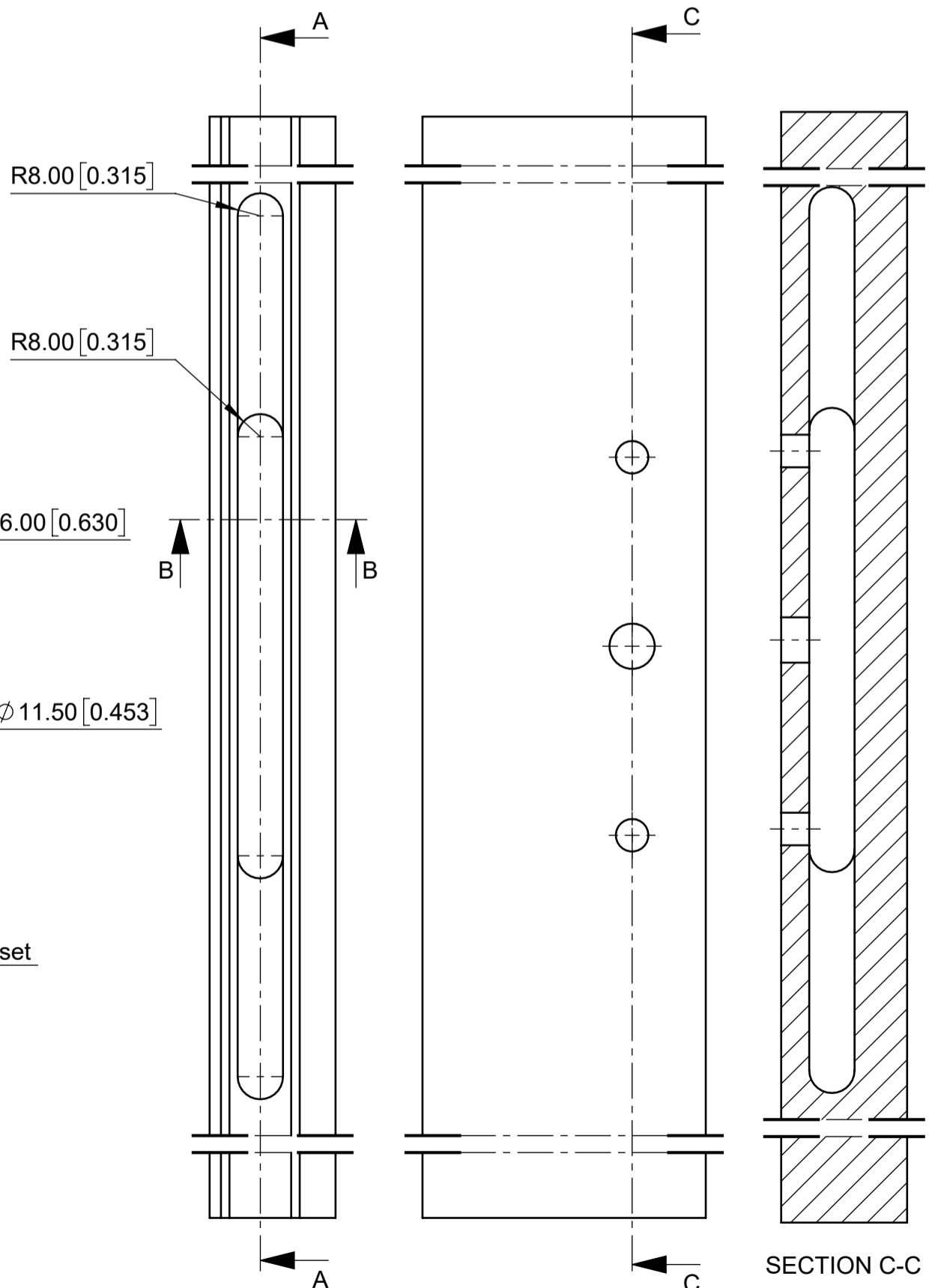
Backset (inch)	D1 (inch)	D2 (inch)
1.024	1.673	1.398
1.575	2.224	1.949

Notes:

1. Inside for outward opening or outside for inward opening.
2. Dimension "Cover offset" refers to section ROUTING DETAIL - TRANSMISSION ROD COVER.



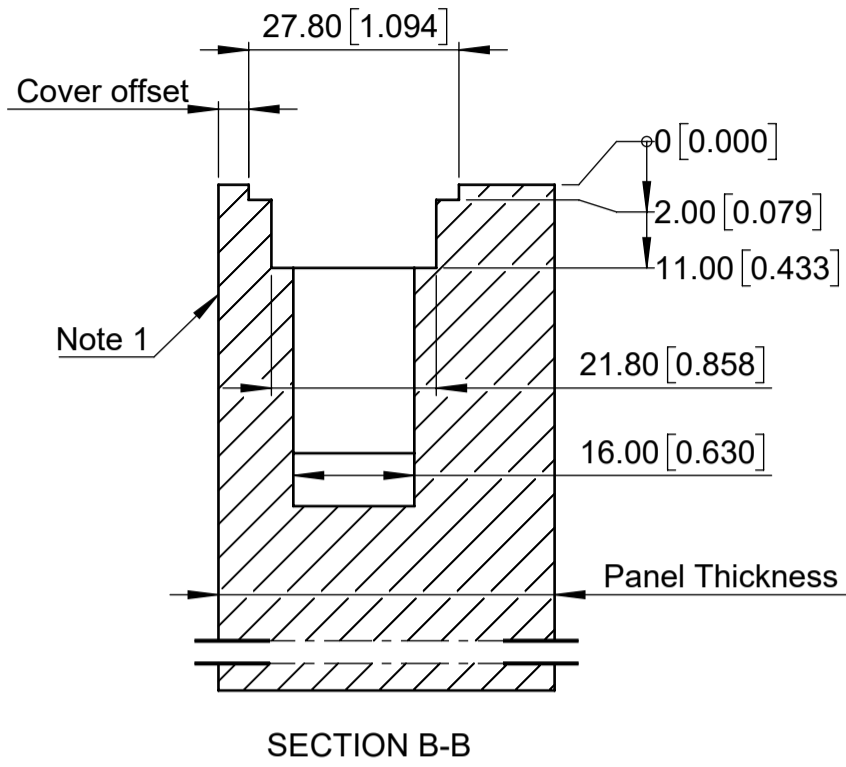
SECTION A-A



SECTION C-C

# ROUTING DETAIL - LOCK BODY

Single handle, non-keyed, long



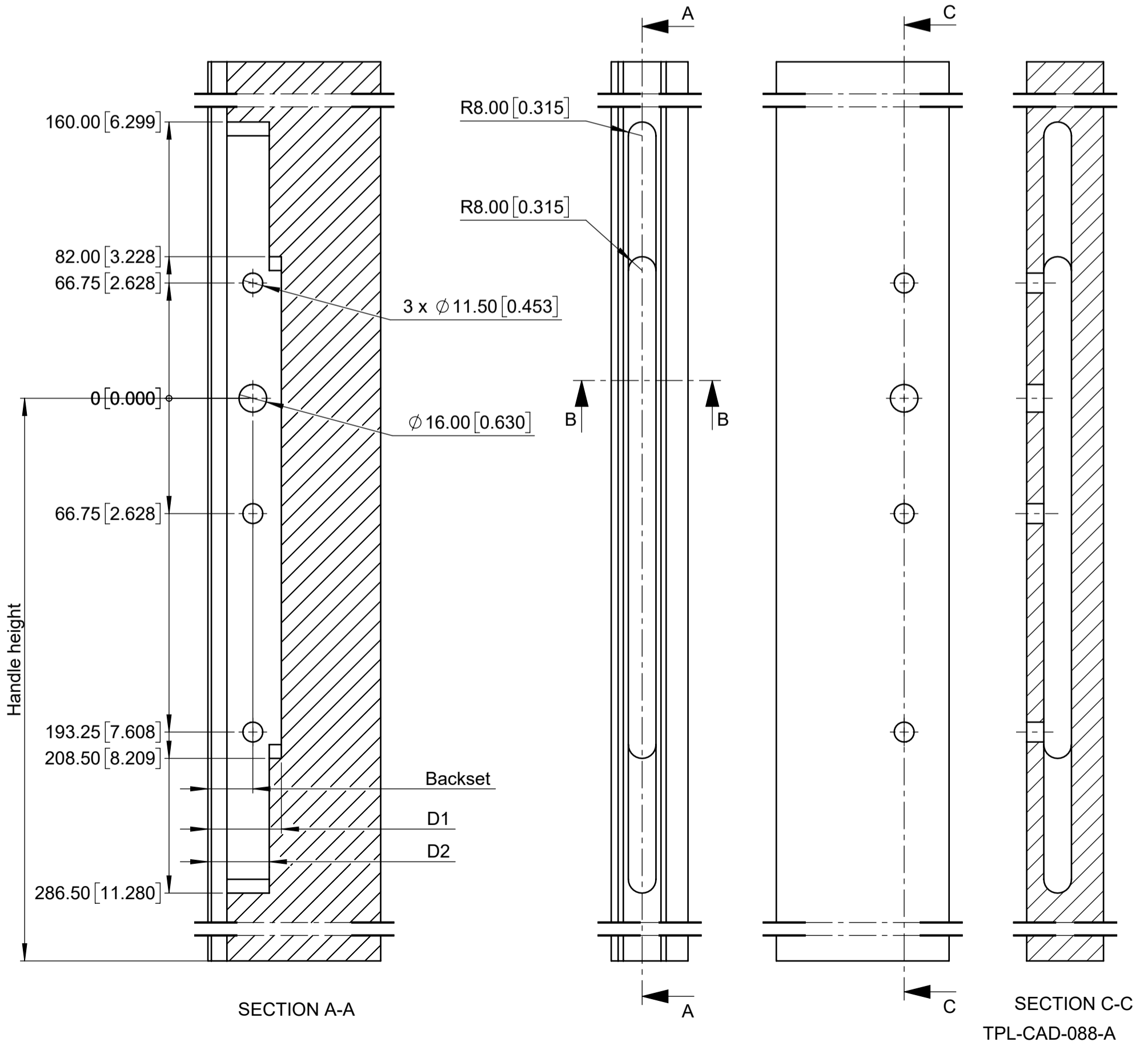
Backset (mm)	D1 (mm)	D2 (mm)
26.0	42.5	35.5
40.0	56.5	49.5

Backset (inch)	D1 (inch)	D2 (inch)
1.024	1.673	1.398
1.575	2.224	1.949

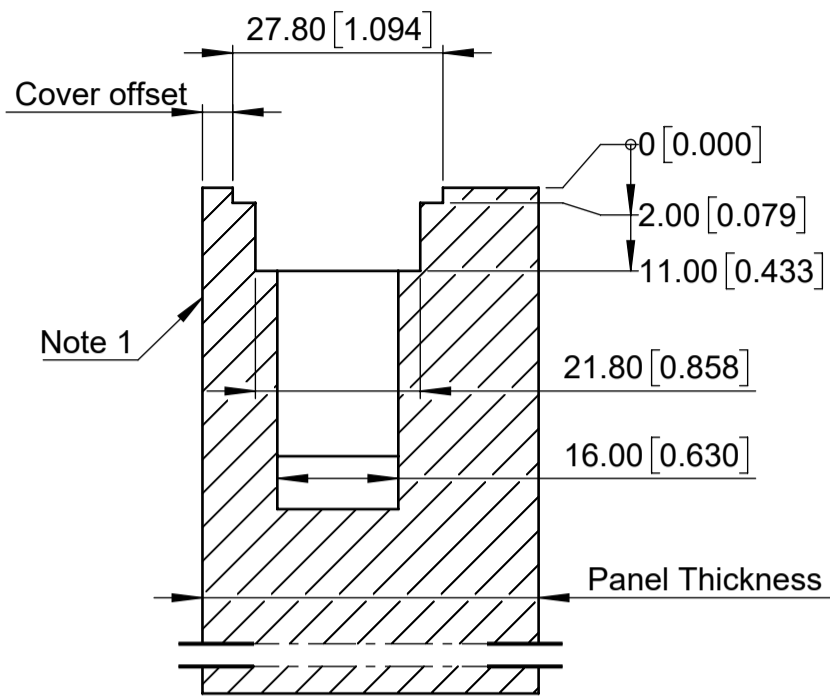
Notes:

1. Inside for outward opening or outside for inward opening.
2. Dimension "Cover offset" refers to section ROUTING DETAIL - TRANSMISSION ROD COVER.



# ROUTING DETAIL - LOCK BODY

Double handle, keyed, long



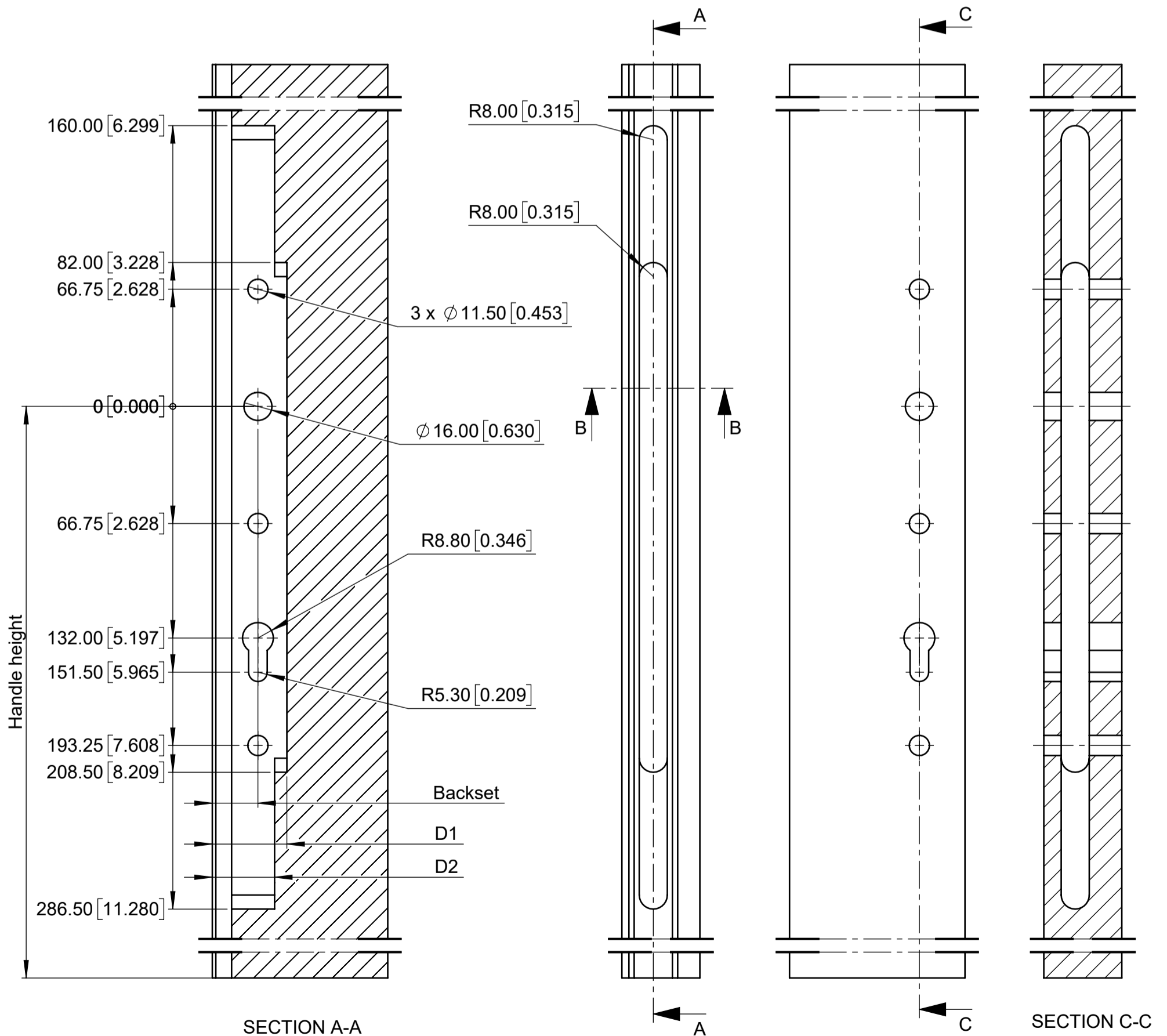
Backset (mm)	D1 (mm)	D2 (mm)
26.0	42.5	35.5
40.0	56.5	49.5

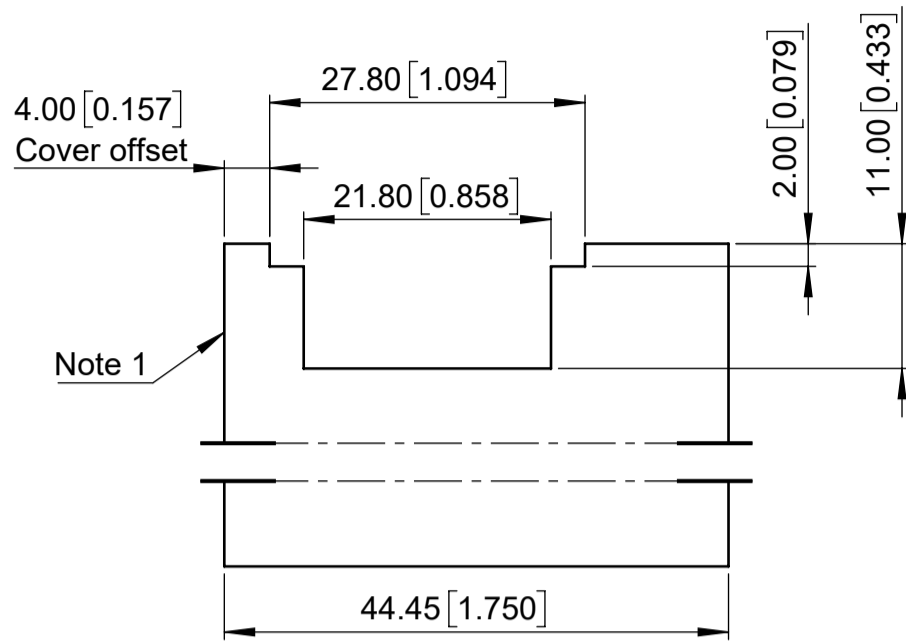
Backset (inch)	D1 (inch)	D2 (inch)
1.024	1.673	1.398
1.575	2.224	1.949

Notes:

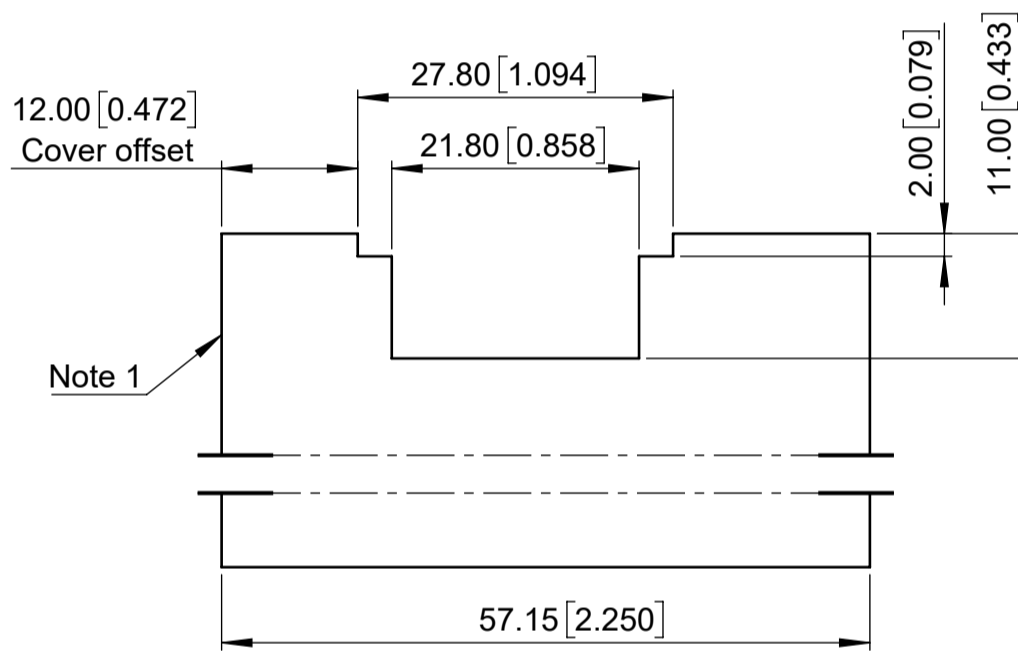
1. Inside for outward opening or outside for inward opening.
2. Dimension "Cover offset" refers to section ROUTING DETAIL - TRANSMISSION ROD COVER.



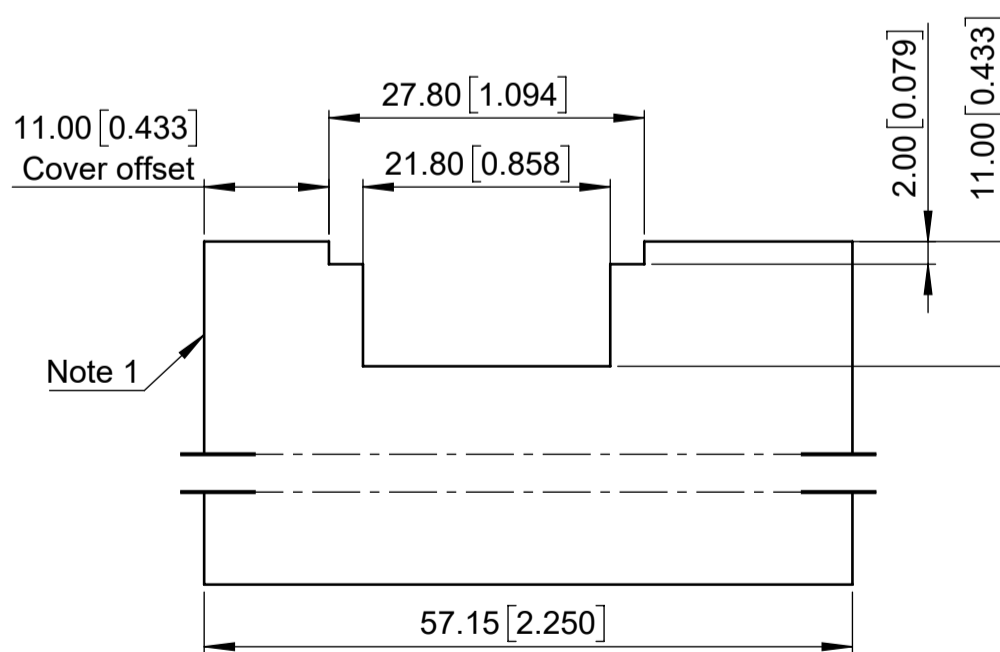
# ROUTING DETAIL - TRANSMISSION ROD COVER



Routing suits 4.00mm/0.157" cover offset



Routing suits 12.00mm/0.472" cover offset

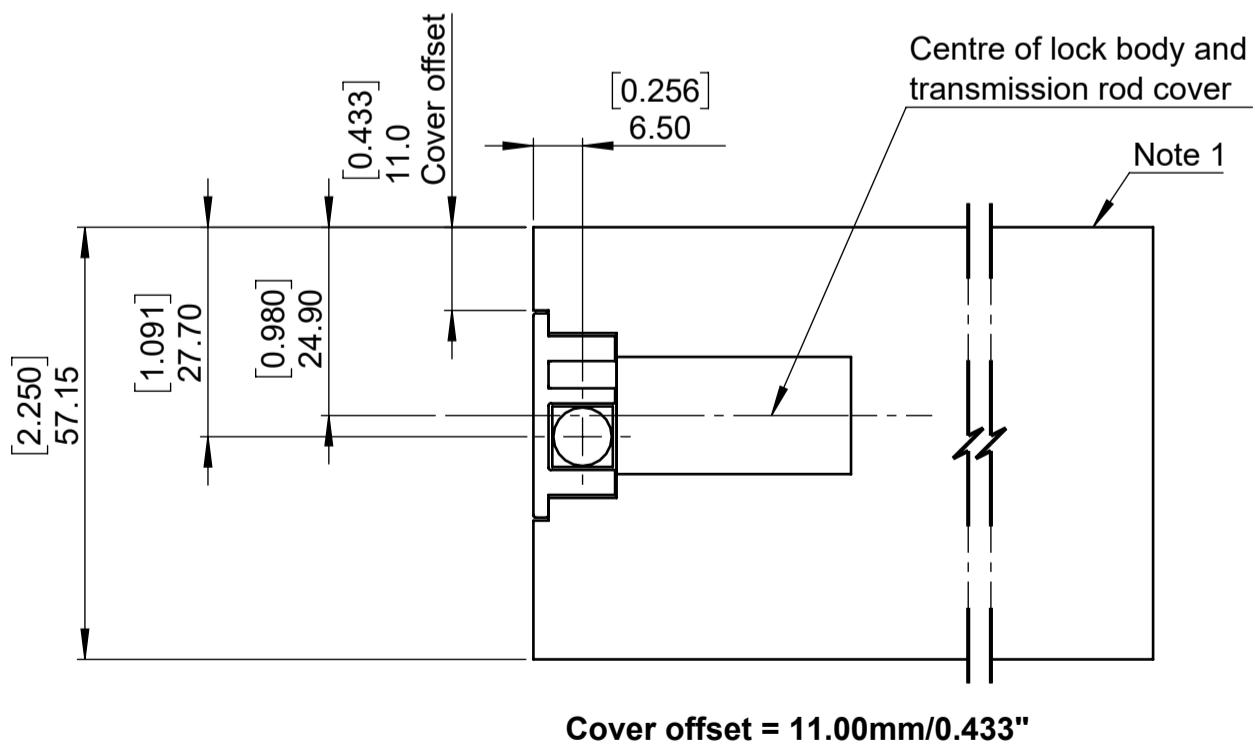
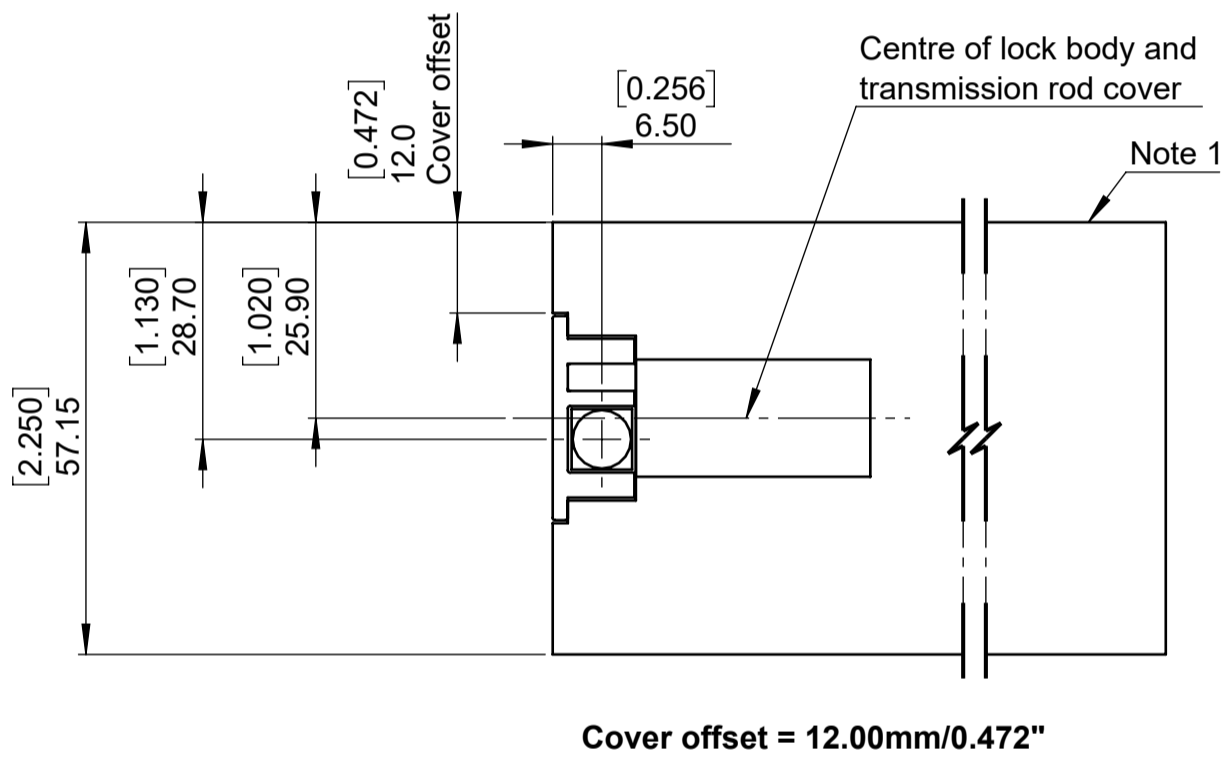
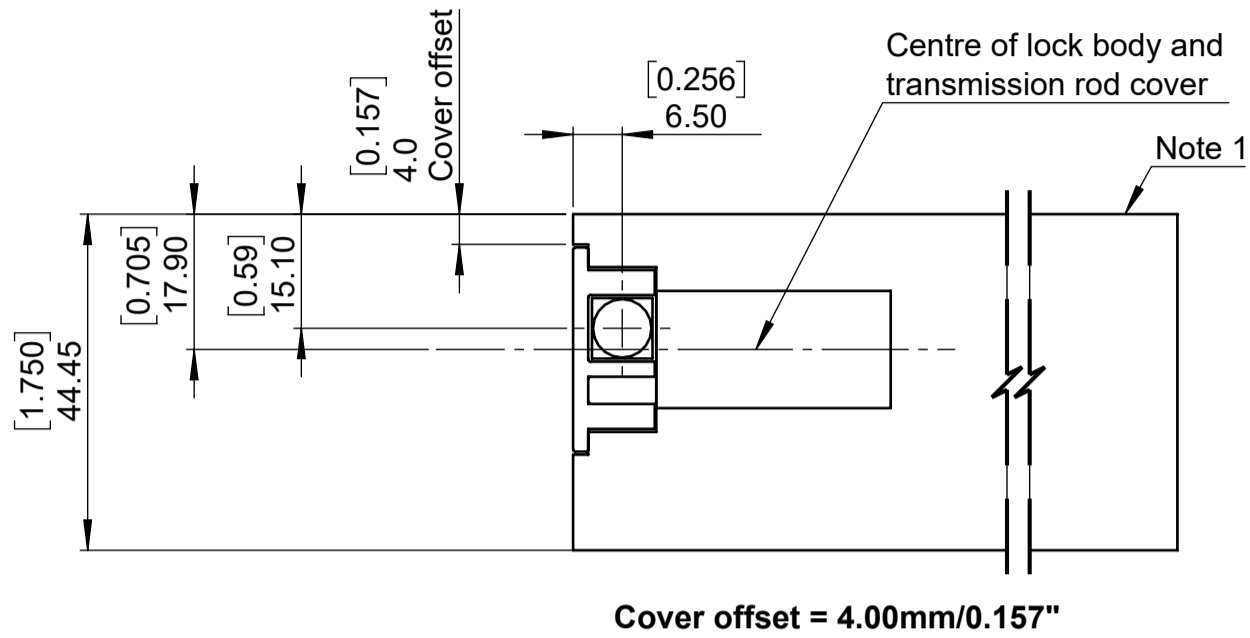


Routing suits 11.00mm/0.433" cover offset

Notes:

1. Inside for outward opening or outside for inward opening.
2. Apply machining to the full length of the stile.

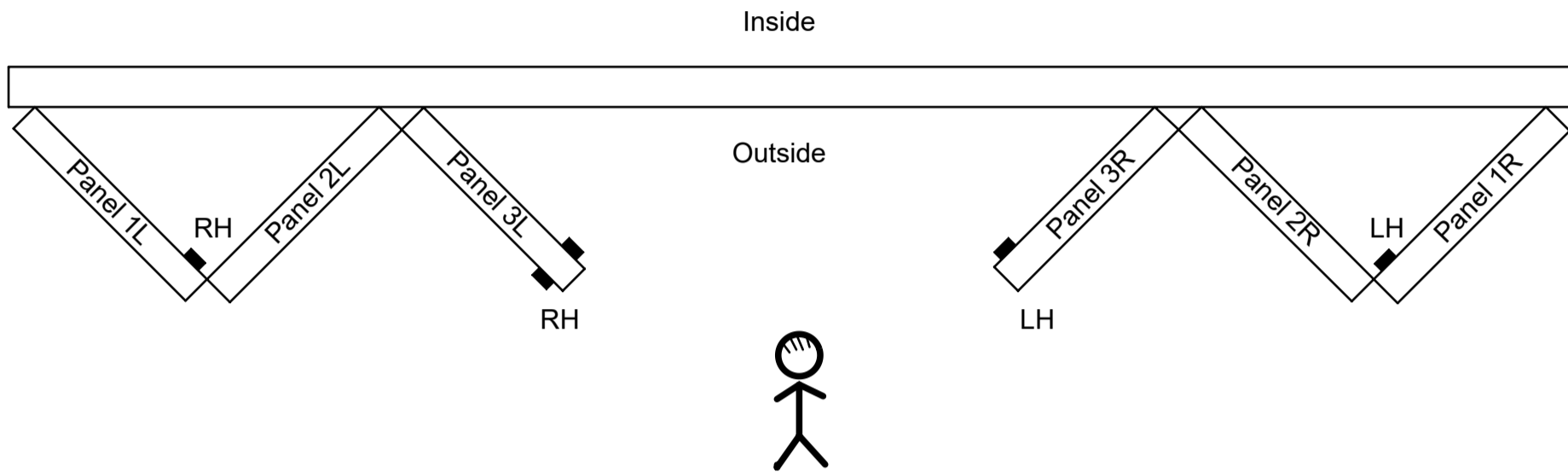
# LOCK BODY AND BOLT POSITION IN STILE



Notes:

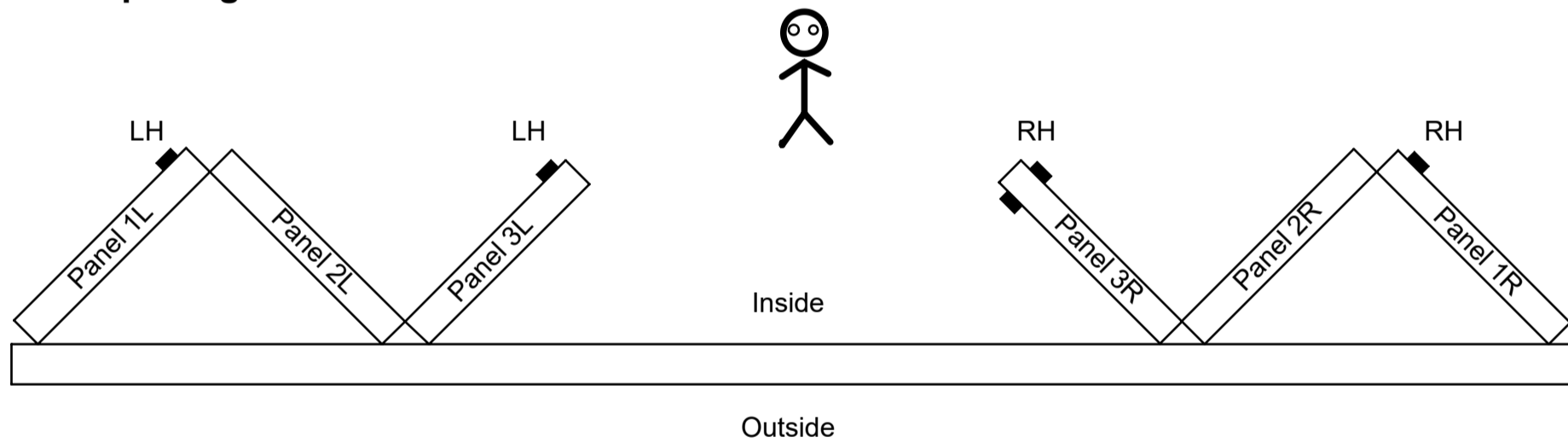
1. Inside for outward opening or outside for inward opening.

## Outward opening



Opening	View	Lock cylinder handing	Location
Outward	From outside	LH - Left hand	Left side of panel
		RH - Right hand	Right side of panel

## Inward opening



Opening	View	Lock cylinder handing	Location
Inward	From inside	LH - Left hand	Left side of panel
		RH - Right hand	Right side of panel

Notes:

1. Be careful. The viewing position for defining the handing varies for different features.

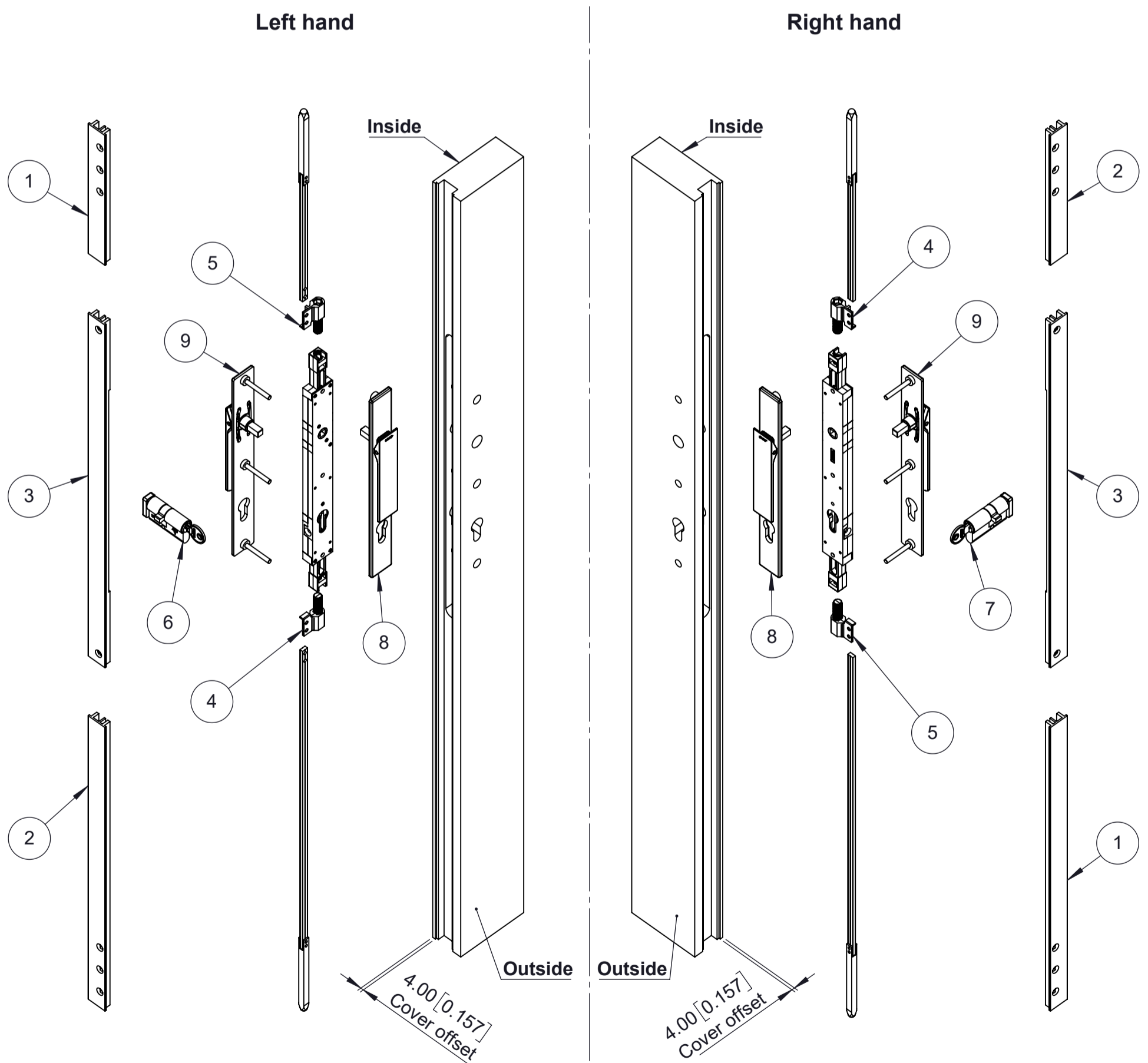
Panels	Always from outside.
Lock cylinders	Outside for outward opening and inside for inward opening.



# HANDING DETAILS

## Outward opening with 4mm cover offset

Item number	Description
1	Two covers are supplied with the same length, but are located differently for left hand and right hand lock assemblies. E.g the bottom cover for left will go to the top for right and vice versa.
2	
3	The same lock body cover is used regardless but oriented differently for left and right hand lock assemblies.
4	LKC-518-C for 26mm backset or LKC-518-E for 40mm backset. Part numbers are branded on parts.
5	LKC-518-D for 26mm backset or LKC-518-F for 40mm backset. Part numbers are branded on parts.
6	Left hand lock cylinder (handing indication engraved on cylinder body)
7	Right hand lock cylinder (handing indication engraved on cylinder body)
8	External handle
9	Internal handle

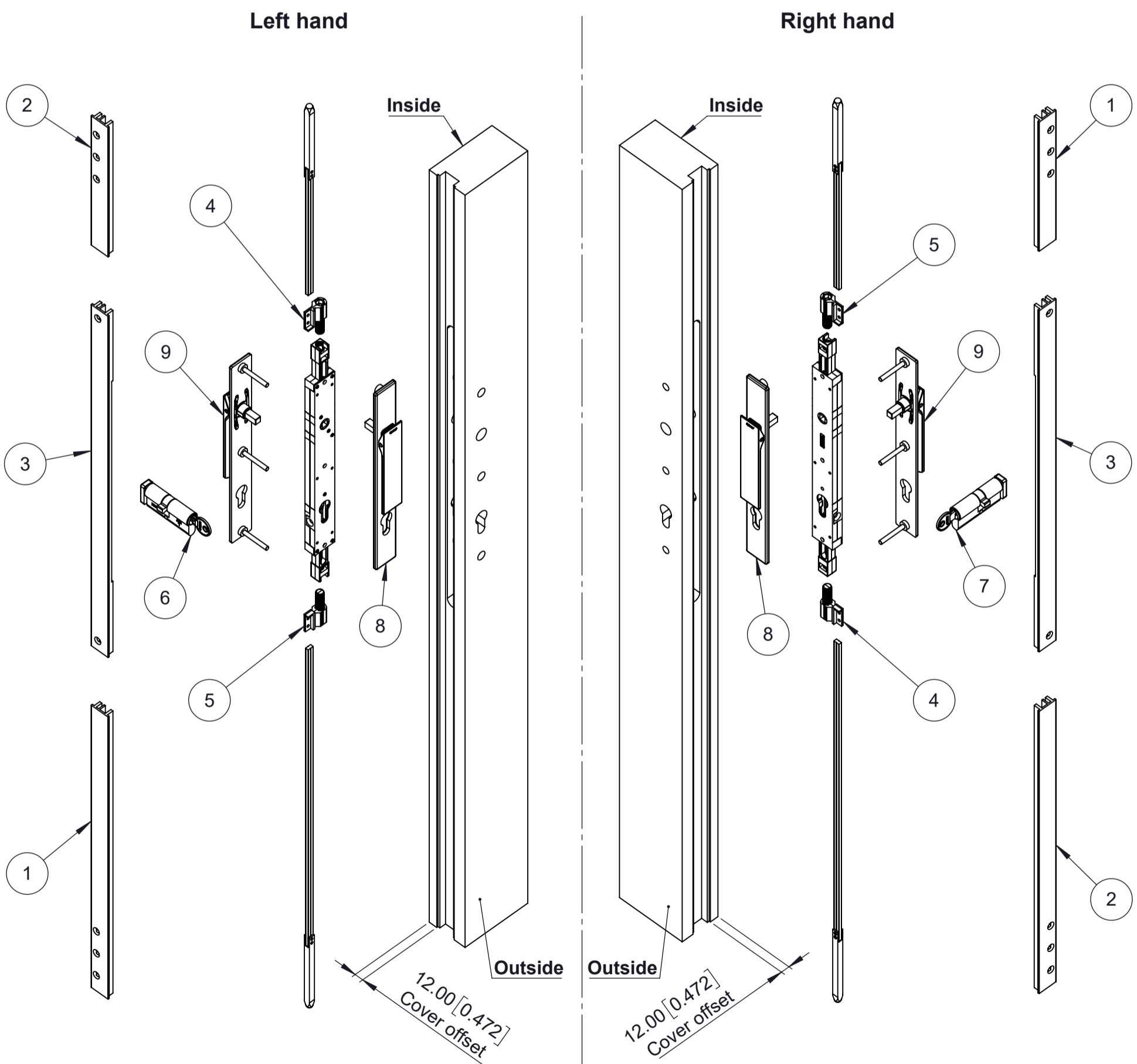


Notes:  
Stainless steel handles shown. Zinc diecast handles are fitted the same way.

# HANDING DETAILS

## Outward opening with 12mm cover offset

Item number	Description
1	Two covers are supplied with the same length, but are located differently for left hand and right hand lock assemblies. E.g the bottom cover for left will go to the top for right and vice versa.
2	
3	The same lock body cover is used regardless but oriented differently for left and right hand lock assemblies.
4	LKC-518-C for 26mm backset or LKC-518-E for 40mm backset. Part numbers are branded on parts.
5	LKC-518-D for 26mm backset or LKC-518-F for 40mm backset. Part numbers are branded on parts.
6	Left hand lock cylinder (handing indication engraved on cylinder body)
7	Right hand lock cylinder (handing indication engraved on cylinder body)
8	External handle
9	Internal handle

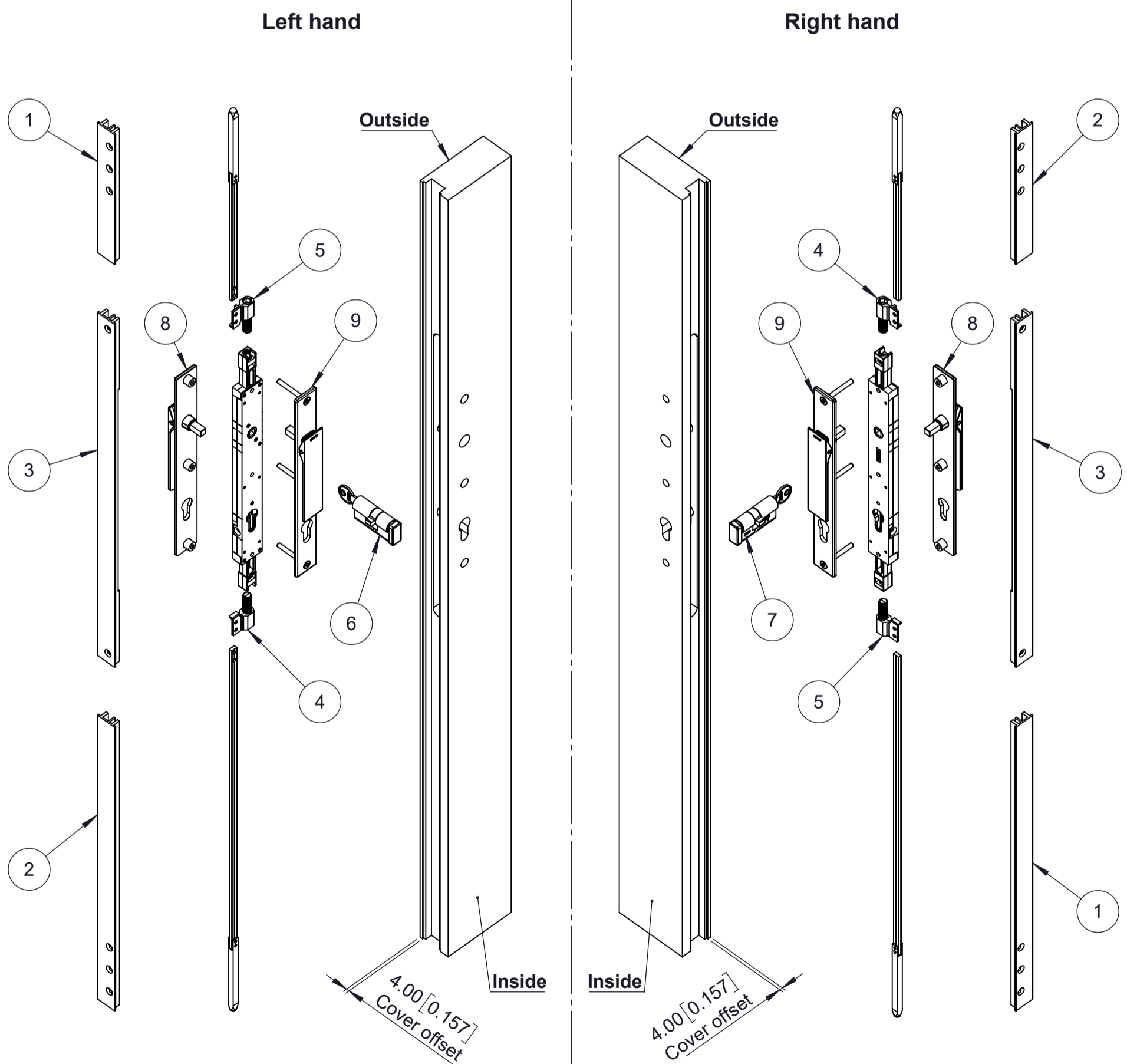


Notes:  
Stainless steel handles shown. Zinc diecast handles are fitted the same way.

# HANDING DETAILS

## Inward opening with 4mm cover offset

Item number	Description
1	Two covers are supplied with the same length, but are located differently for left hand and right hand lock assemblies. E.g the bottom cover for left will go to the top for right and vice versa.
2	
3	The same lock body cover is used regardless but oriented differently for left and right hand lock assemblies.
4	LKC-518-C for 26mm backset or LKC-518-E for 40mm backset. Part numbers are branded on parts.
5	LKC-518-D for 26mm backset or LKC-518-F for 40mm backset. Part numbers are branded on parts.
6	Left hand lock cylinder (handing indication engraved on cylinder body)
7	Right hand lock cylinder (handing indication engraved on cylinder body)
8	External handle
9	Internal handle

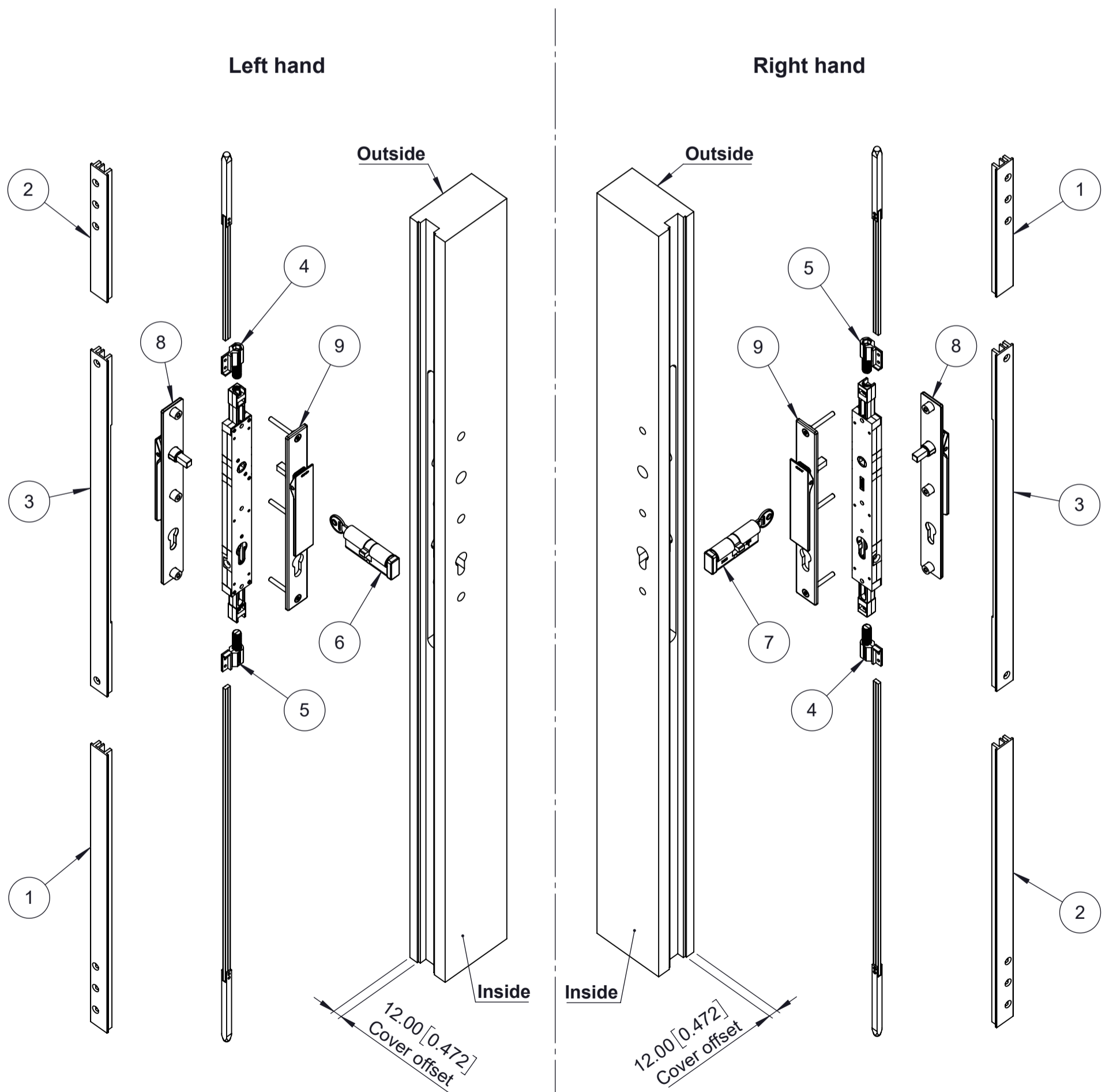


Notes:  
 Stainless steel handles shown. Zinc diecast handles are fitted the same way.

# HANDING DETAILS

## Inward opening with 12mm cover offset

Item number	Description
1	Two covers are supplied with the same length, but are located differently for left hand and right hand lock assemblies. E.g the bottom cover for left will go to the top for right and vice versa.
2	
3	The same lock body cover is used regardless but oriented differently for left and right hand lock assemblies.
4	LKC-518-C for 26mm backset or LKC-518-E for 40mm backset. Part numbers are branded on parts.
5	LKC-518-D for 26mm backset or LKC-518-F for 40mm backset. Part numbers are branded on parts.
6	Left hand lock cylinder (handing indication engraved on cylinder body)
7	Right hand lock cylinder (handing indication engraved on cylinder body)
8	External handle
9	Internal handle



Notes:  
Stainless steel handles shown. Zinc diecast handles are fitted the same way.

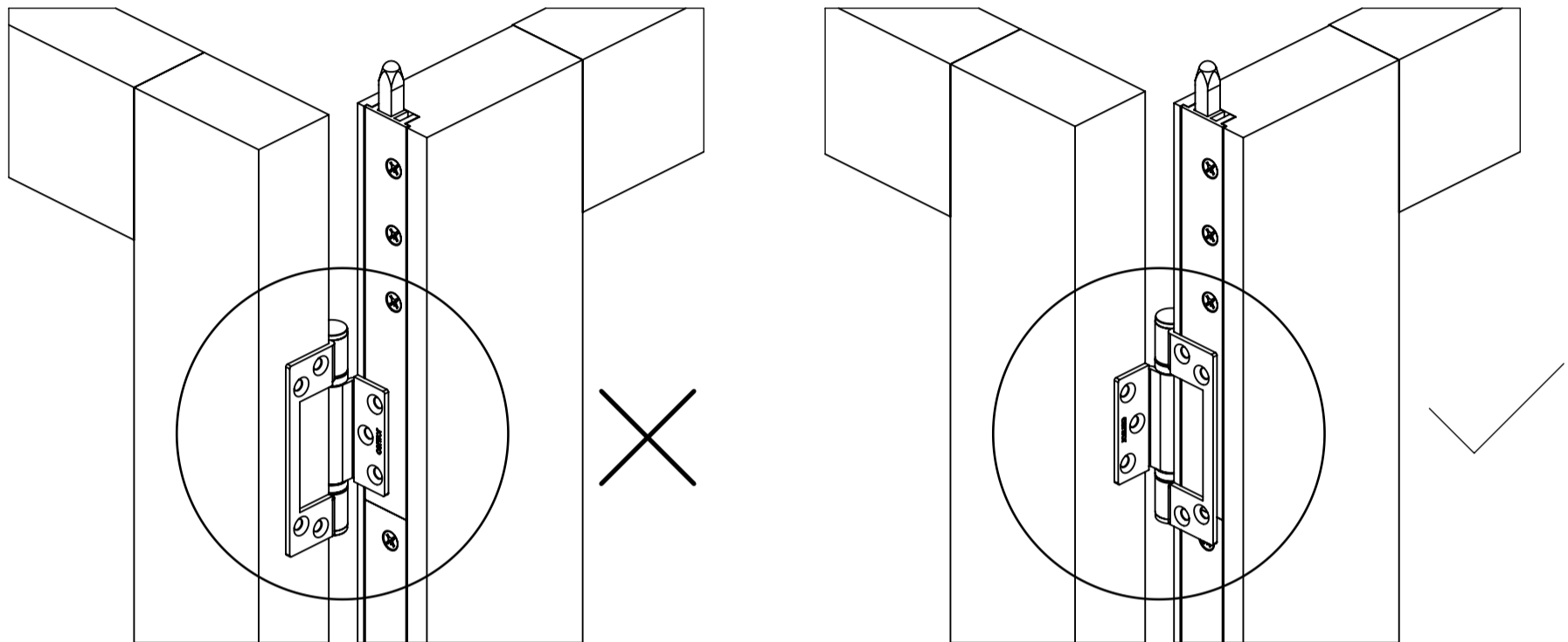
# LOCK POSITION TO SUIT FOLDING HARDWARE

## E2 and F2

### Hinge compatibility

A twin point lock can only be installed with the outer hinge flap as the mounting screws on the inner flap will interfere with transmission rod.

E2 and F2

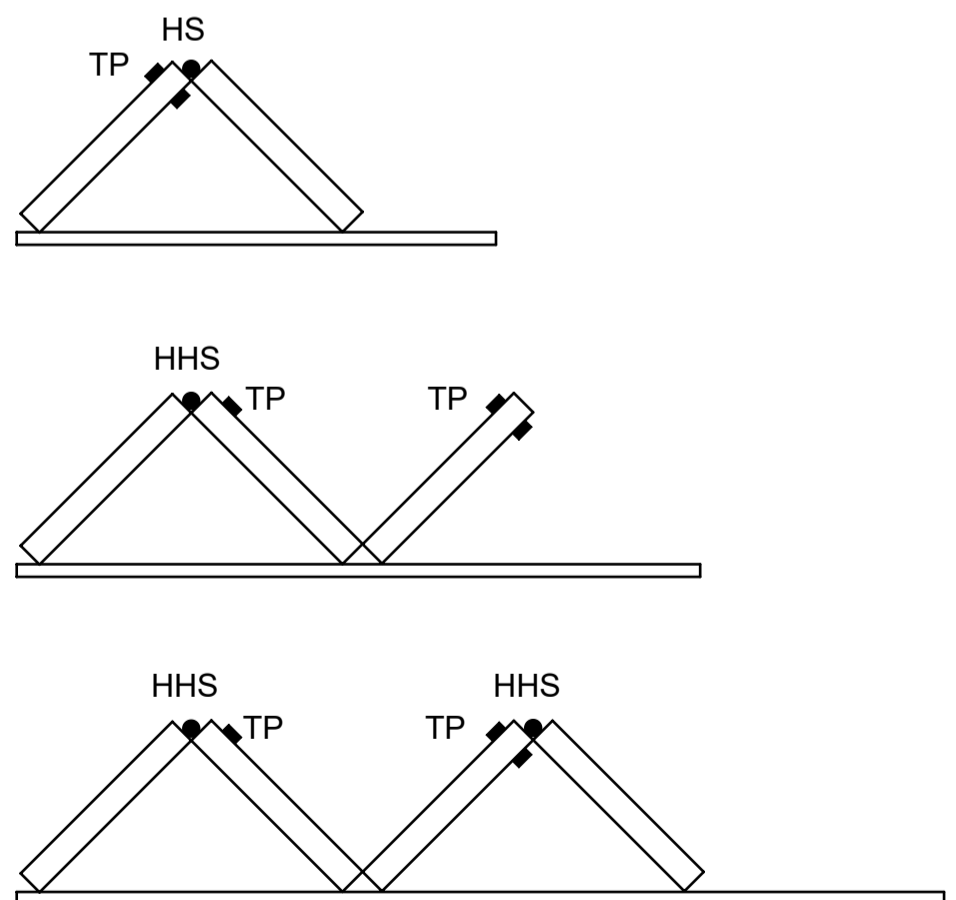
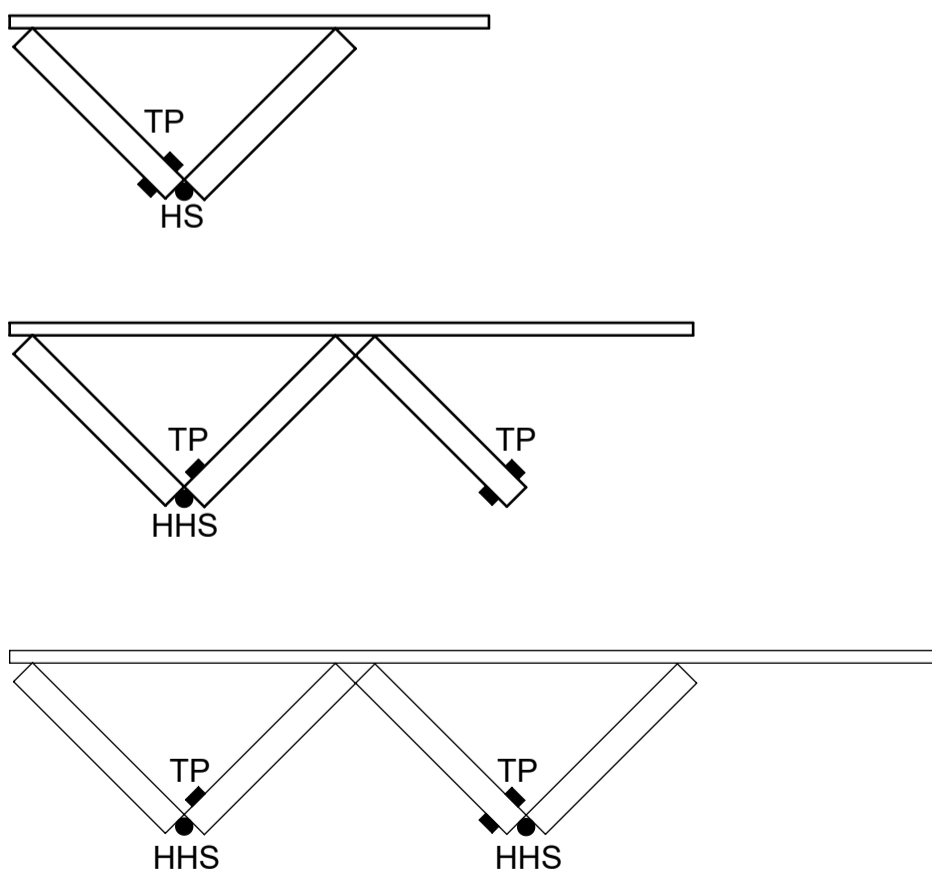


### Lock location on panels

E2 and F2 half-offset hinges are handed and cannot be rotated. This means that the twin point lock cannot be installed on a pivot panel or an end carrier panel where a half-offset hinge is used.

Outward opening

Inward opening



- TP - TwinPoint Gen2
- HS - Straight hinge set
- HHS - Half offset hinge set

# LOCK POSITION TO SUIT FOLDING HARDWARE

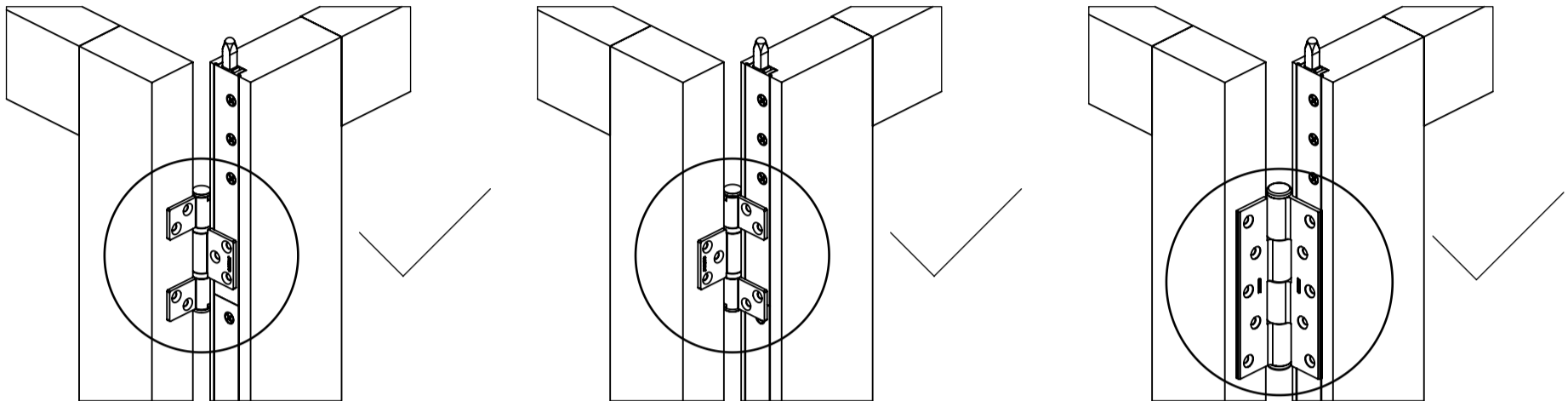
## E3, F3 and E4

### Hinge compatibility

The twin point lock can be installed with the hinges fitted in any orientation.

E3 and F3

E4

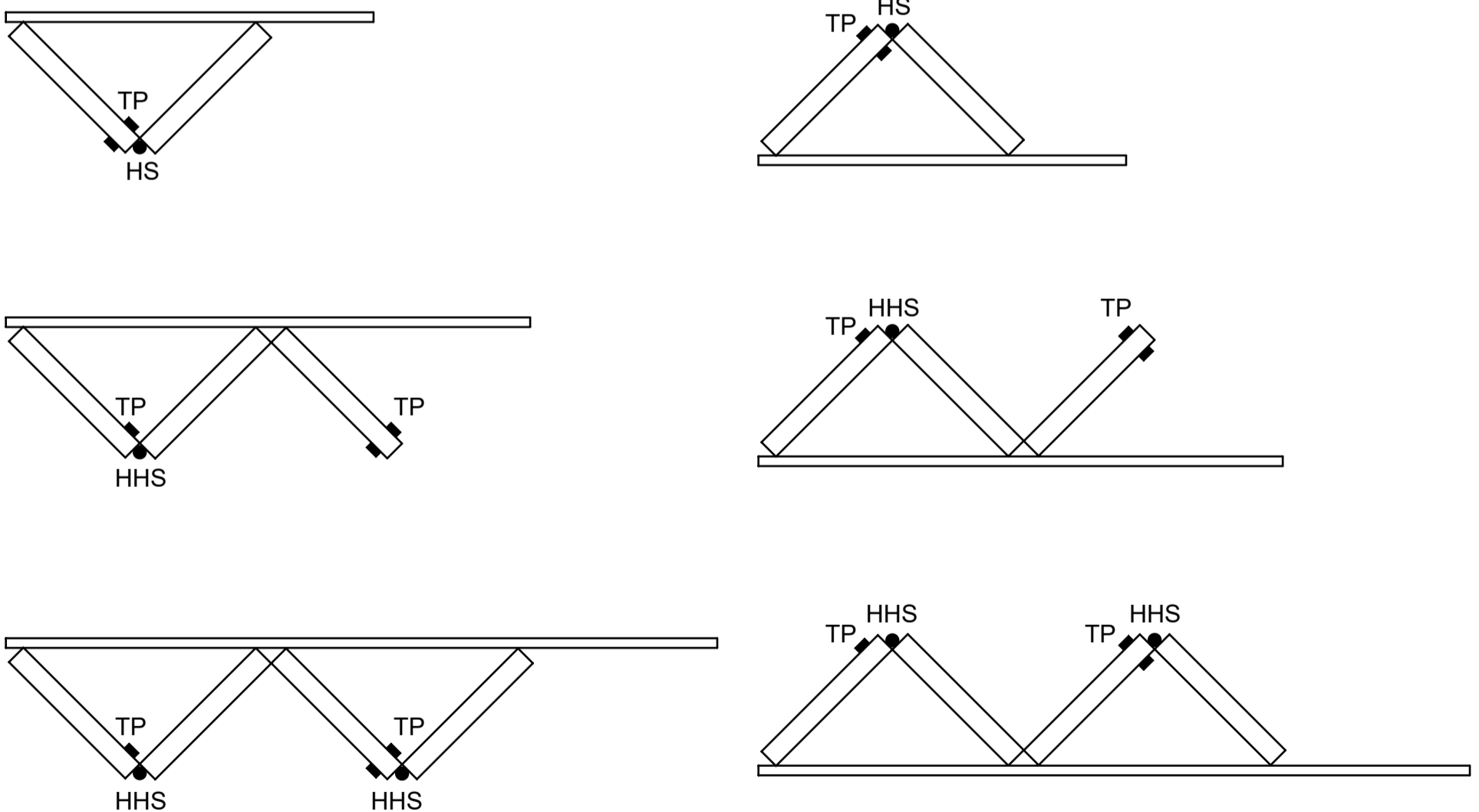


### Lock location on panels

The half-offset hinges have equal size flaps. It means no mounting screws will interfere with the twin point lock. Therefore there are no restrictions on the lock location. However, it is recommended to fit the twin point lock on the pivot panel as it provided a better pulling direction for closing the panels just using the twin point lock handle.

Outward opening

Inward opening



TP - TwinPoint Gen2

HS - Straight hinge set

HHS - Half offset hinge set

### Covers

Top	All	$TC = PH - HH - 194$
Bottom	Long lock body cover	$BCS = HH - 350$
	Short lock body cover	$BCL = HH - 194$

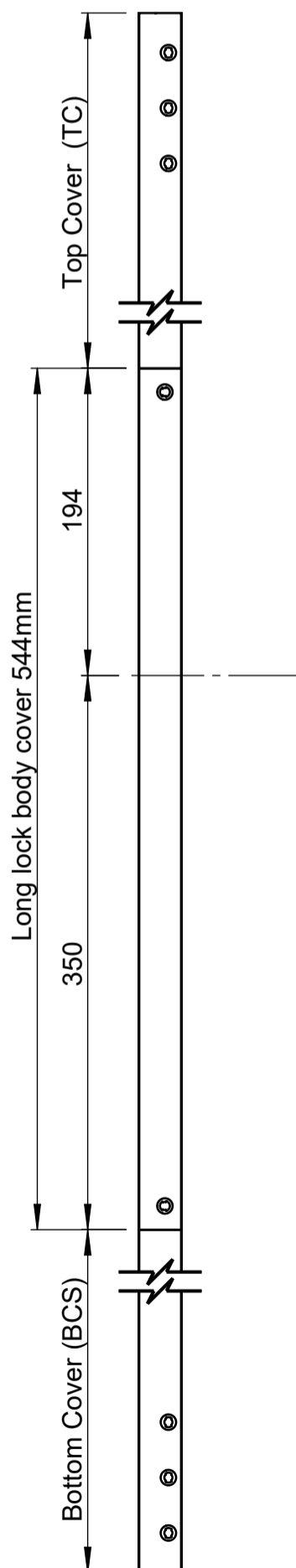
### Transmission rods with attached bolt

Top	All	$TR = PH - HH - 99$
Bottom	Lock body keyed	$BRS = HH - 226$
	Lock body non-keyed	$BRL = HH - 99$

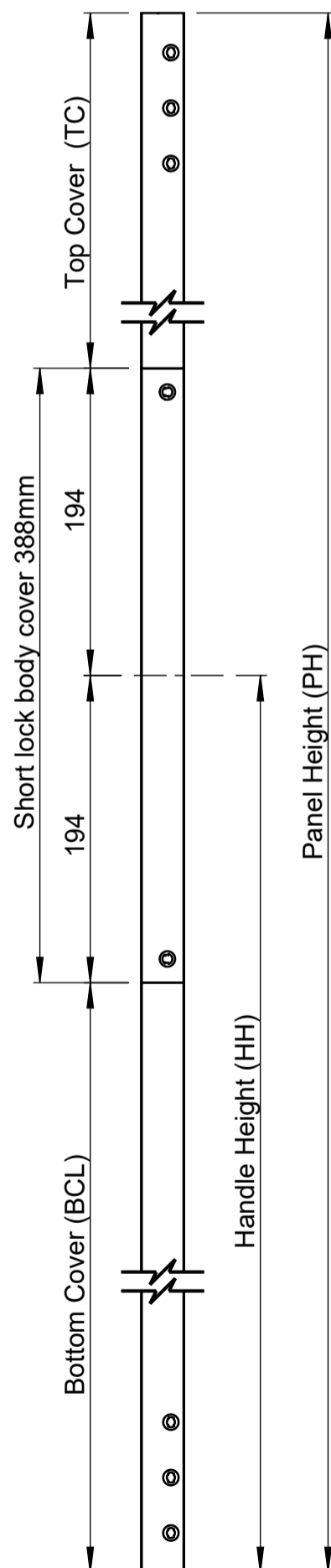
Notes:

- All dimensions in mm.

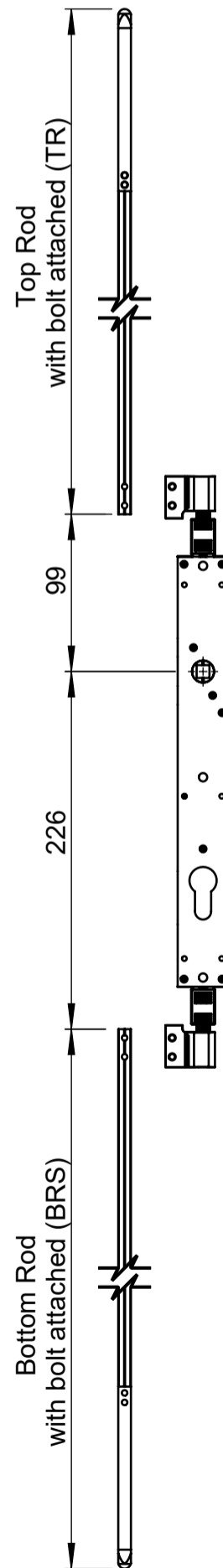
Long lock body cover



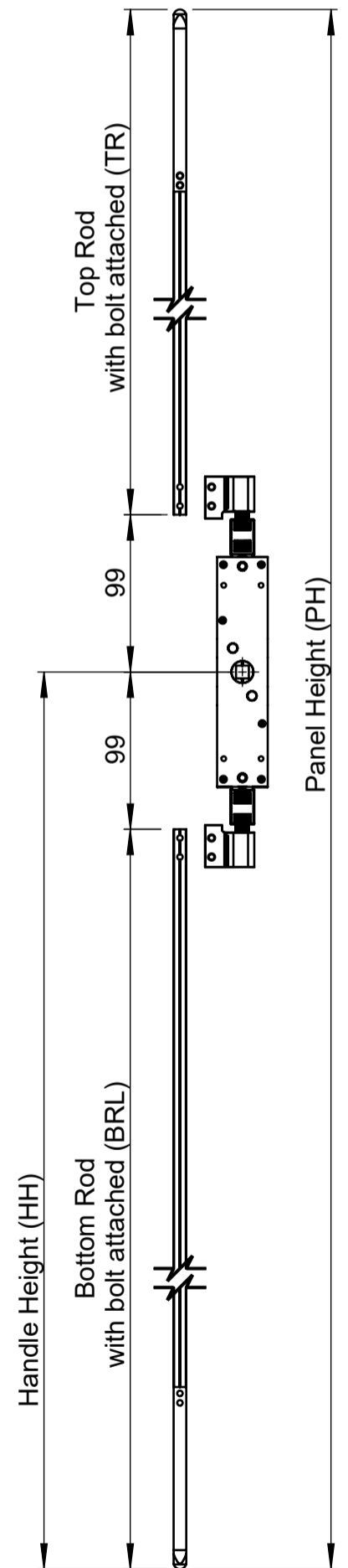
Short lock body cover



Lock body keyed



Lock body non-keyed



## PANEL AND HANDLE HEIGHT LIMITS

### Long lock body cover - 544mm

Handle height		Panel height			
		Min	Max. with transmission rod sets		
			96"	120"	156"
Standard doors	914 (36")	1328	2443	3053	3978
Min	570*	984*	2099	2709	3634
Max (Lock body non-keyed)	1029	1443	2558	3168	4093
Max (Lock body keyed)	1156	1570	2685	3295	4220

\* When no hinge is fitted on the stile, the minimum handle height can reduce to 470mm and the minimum panel height to 784mm.

### Short lock body cover - 388mm

Handle height		Panel height					
		Min	Max. with transmission rod sets				
			46"	72"	96"	120"	156"
Standard windows	432 (17")	846	1176	1831	1961	2571	3496
Standard doors	914 (36")	1328	n/a	n/a	2443	3053	3978
Min	414*	828*	1158	1813	1943	2553	3478
Max for 46" & 72" sets	549	963	1293	1948	n/a	n/a	n/a
Max for 96", 120" & 156" sets	1029	1443	n/a	n/a	2558	3168	4093

\* When no hinge is fitted on the stile, the minimum handle height can reduce to 314mm and the minimum panel height to 628mm.

### Cover and rod lengths supplied with kits

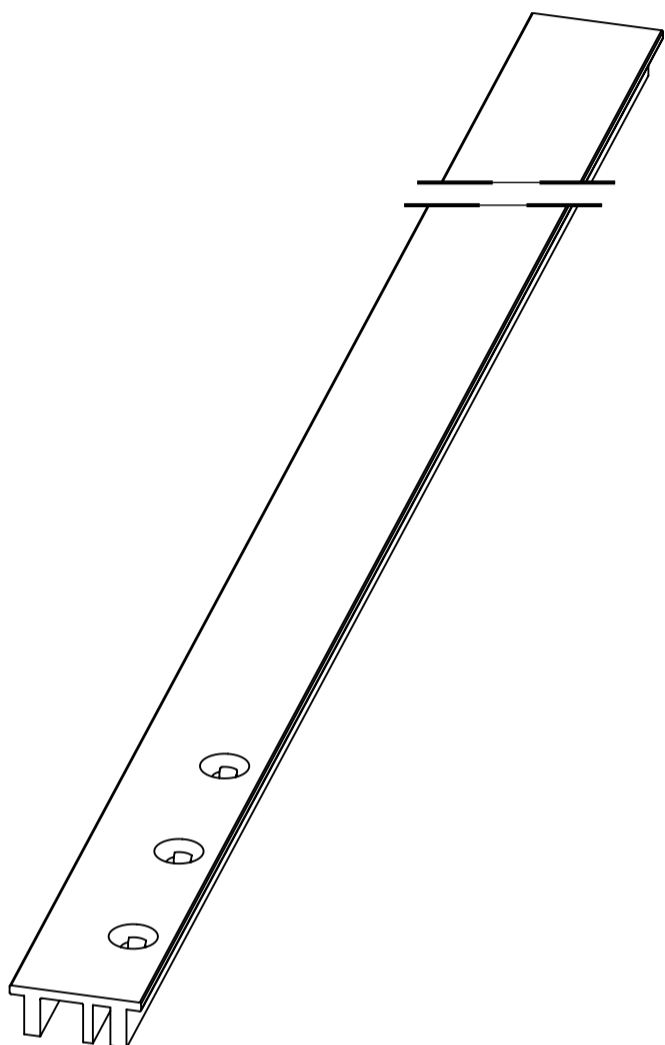
		Transmission rod sets				
		46"	72"	96"	120"	156"
2 x Covers		550	1205	1335	1945	2870
Rod	Bottom	450	450	930	930	930
	Top	650	1305	1435	2045	2970

#### Notes:

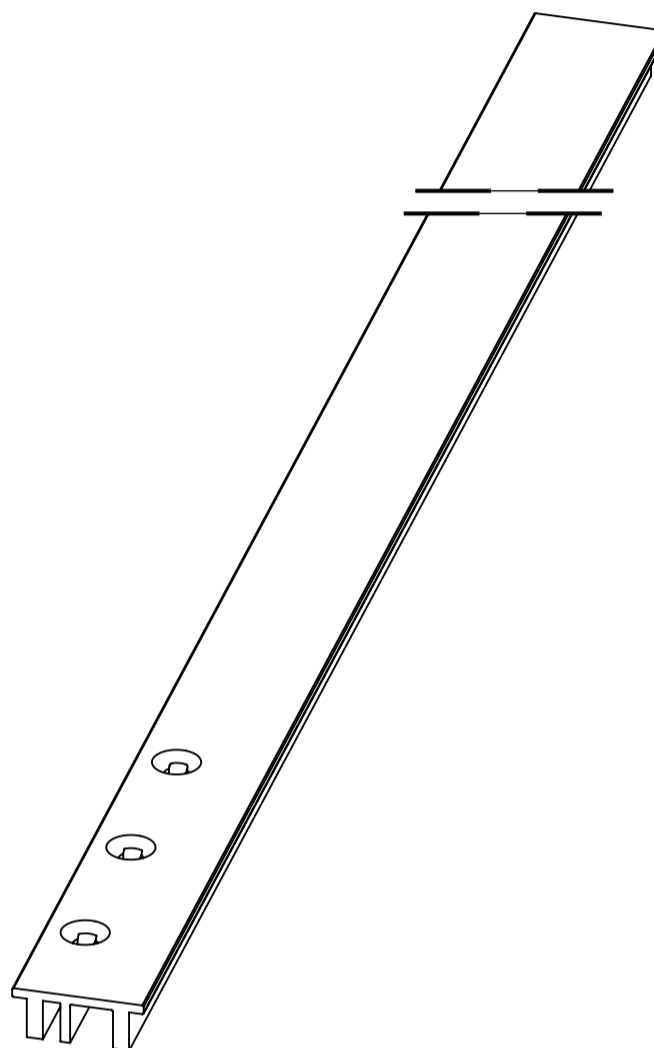
1. All dimensions in mm.
2. Rod length includes bolt.
3. Refer to graphics in previous page.



**Step 1. Identify bottom covers.**



Bottom cover for  
Outward or inward with 4mm cover offset - left hand  
or  
Outward or inward with 12mm cover offset - right hand

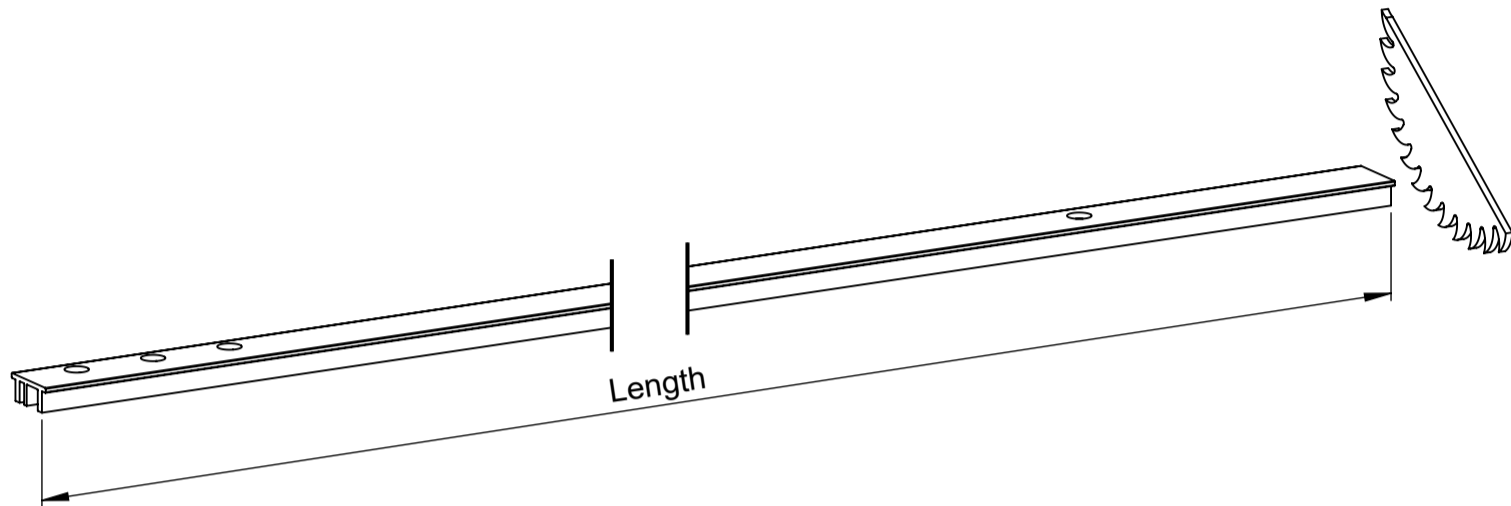


Bottom cover for  
Outward or inward with 4mm cover offset - right hand  
or  
Outward or inward with 12mm cover offset - left hand

The top cover is mirrored to the bottom.

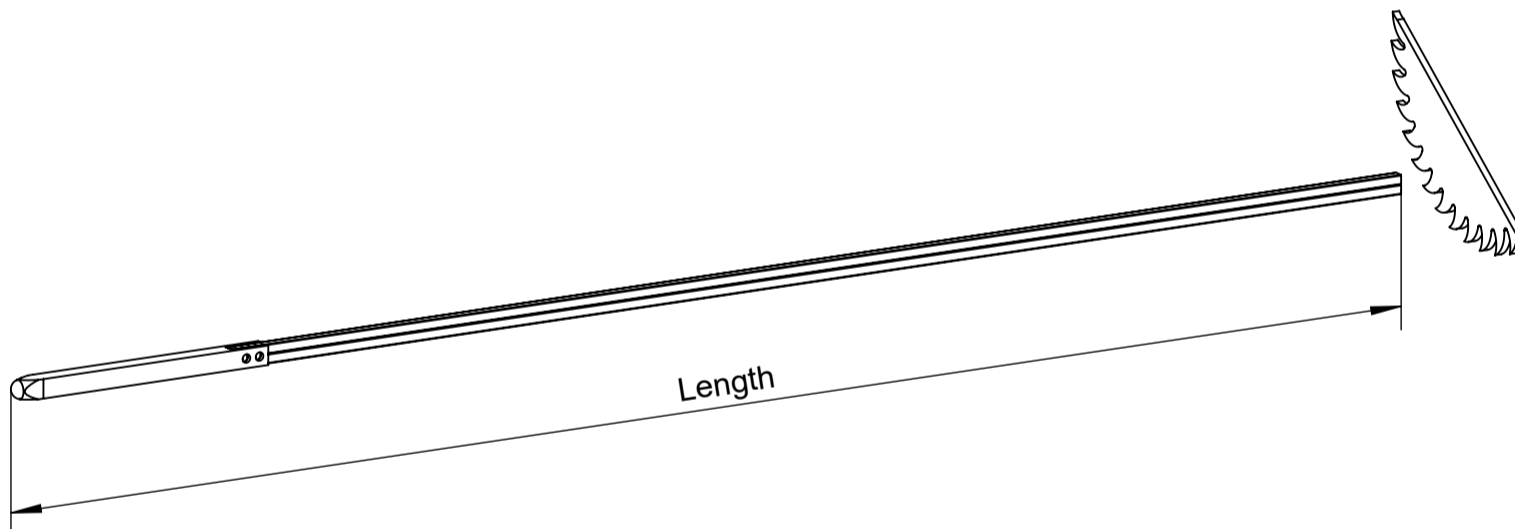
**Step 2. Cut the covers to length.**

For cover length, refer to TRANSMISSION ROD AND COVER LENGTH FORMULA section.



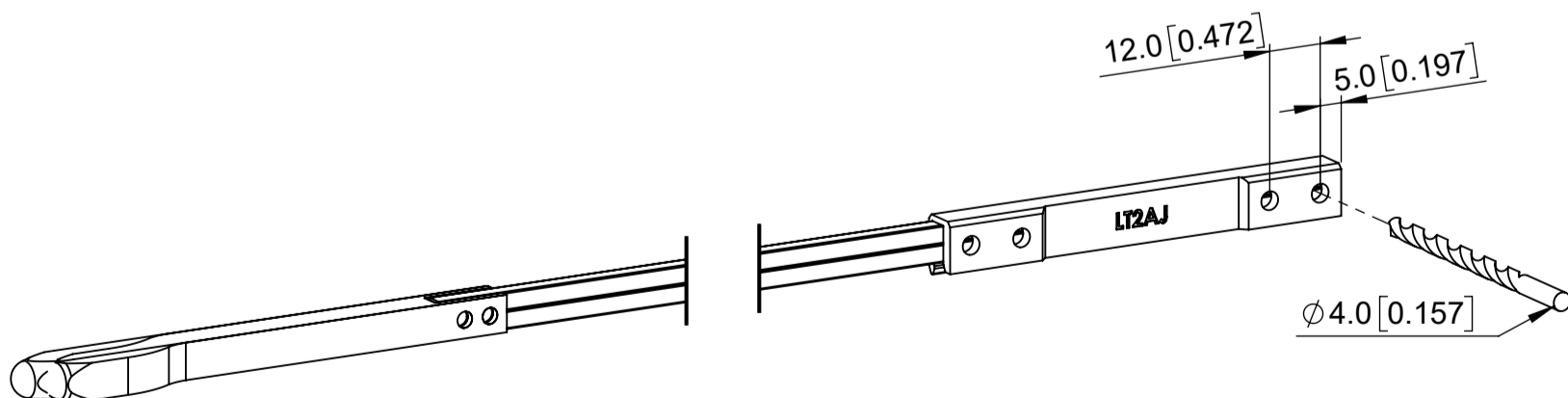
**Step 3. Cut the top and bottom transmission rods to length.**

Refer to TRANSMISSION ROD AND COVER LENGTH FORMULA section.



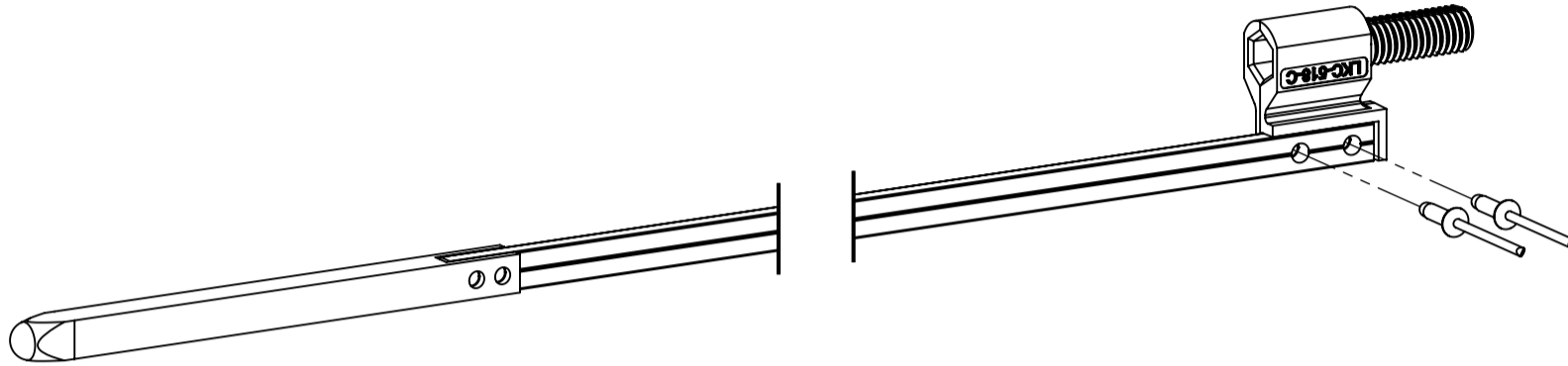
**Step 4. Drill two rivet holes for transmission rod adaptor.**

Keep the drilling jig flush with the end of the transmission rod.



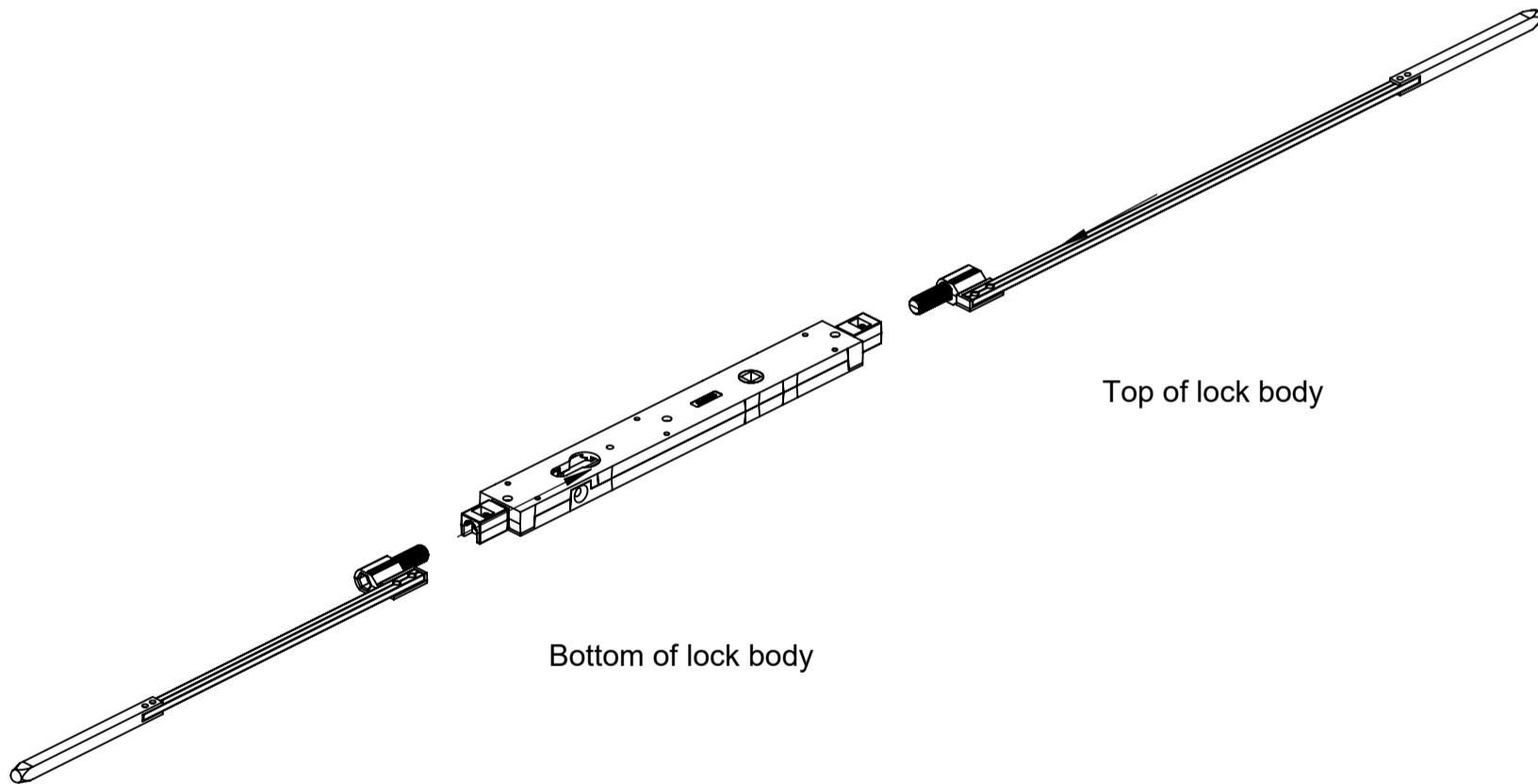
**Step 4. Connect transmission rod adaptor.**

Refer to HANDING DETAILS section, make sure the correct transmission rod adaptors are used for top and bottom rods. Use the pop rivets supplied to attach the transmission rod adaptor to the transmission rod. Insert the pop rivet through the rod into the adaptor.



**Step 5. Connect transmission rod to lock body.**

Thread the transmission rod assemblies into the lock body until it bottoms out.



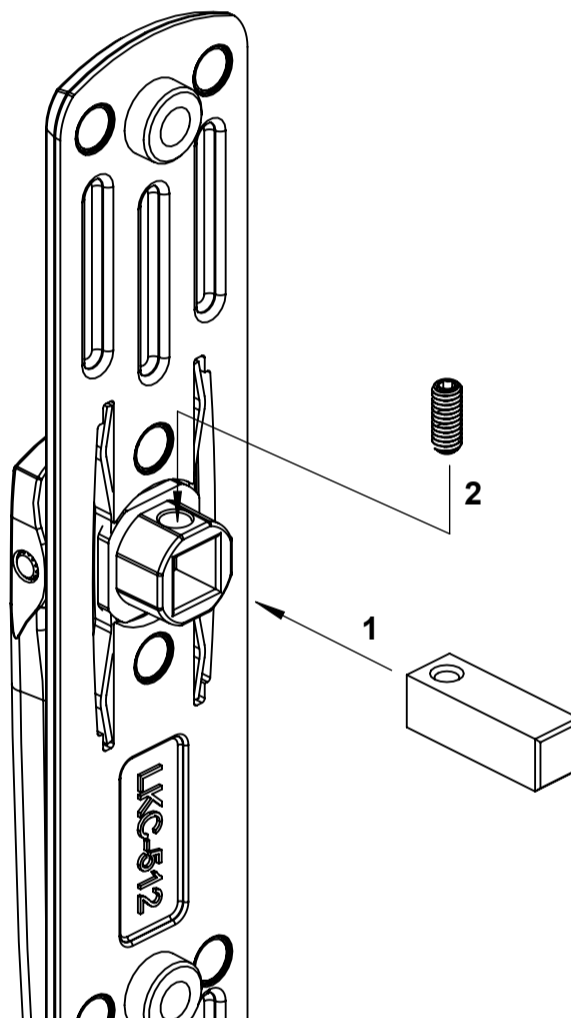
This section is required for zinc diecast handles only

Step 1: Insert the spindle into the square hole as shown.

Step 2: Thread the grub screw into the spindle until it bottoms out. Then unwind for half a turn or so to loosen the spindle.  
This will make the handle more flexible when fitting into the lock body.

Refer to TwinPoint Gen2 Handle technical document section **ZINC DIECAST HANDLES H02 - SPINDLE & SCREWS** to select the spindle and mounting screws with the correct lengths or modify them if needed.

For double handle, always fit the spindle to the internal handle.

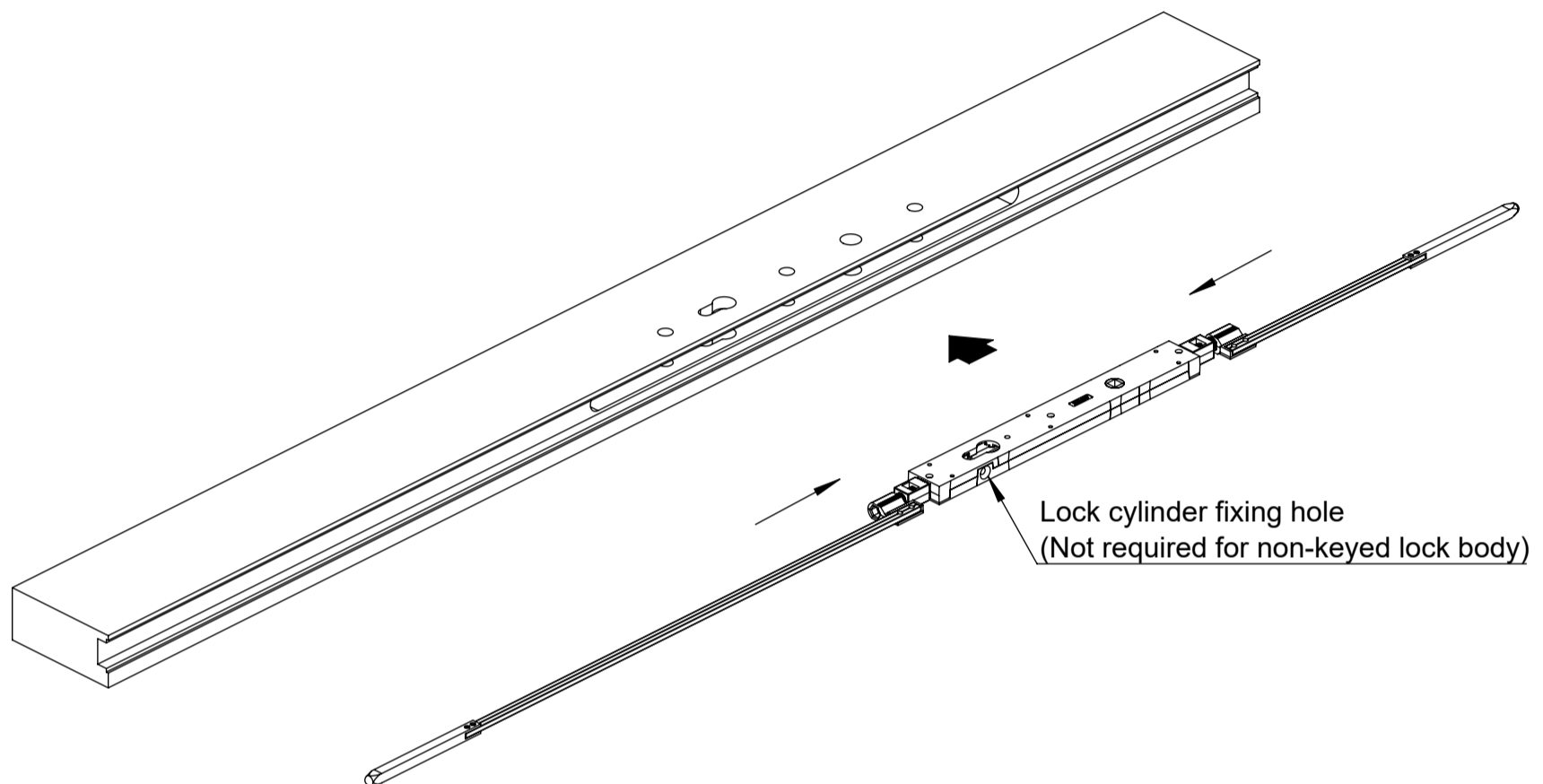


**INSTALL LOCK INTO STILE OR PANEL**

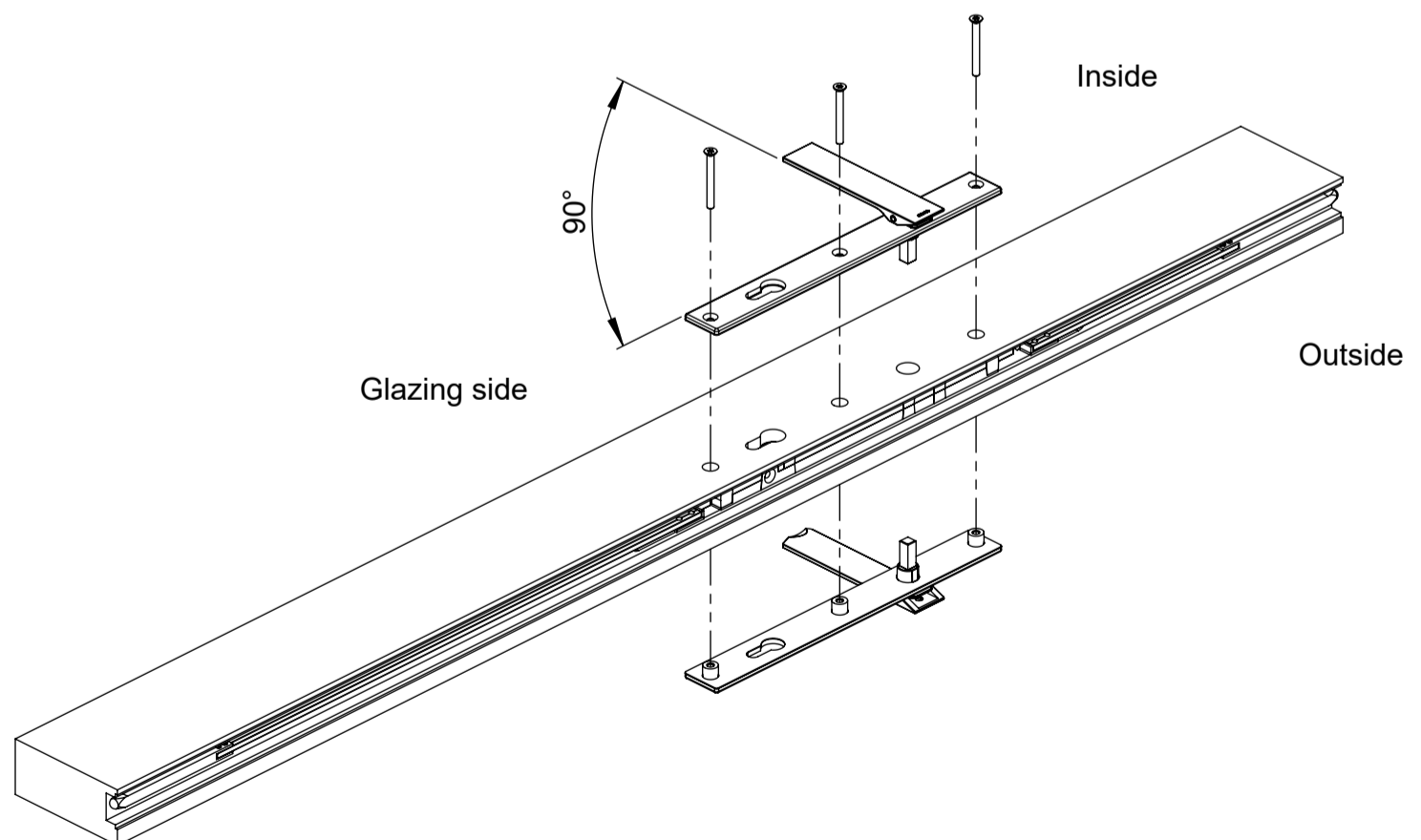
Stainless steel handles shown in the graphics. Zinc diecast handles are installed similarly.

**Step 1. Fit the assembly into machined stile/panel.**

Check the lock handing is correct for the stile/panel. Make sure the lock is retracted and the lock cylinder fixing screw hole is facing outwards.

**Step 2. Fit the handles.**

The swing handles should be turned 90° into the glazing side before insertion.



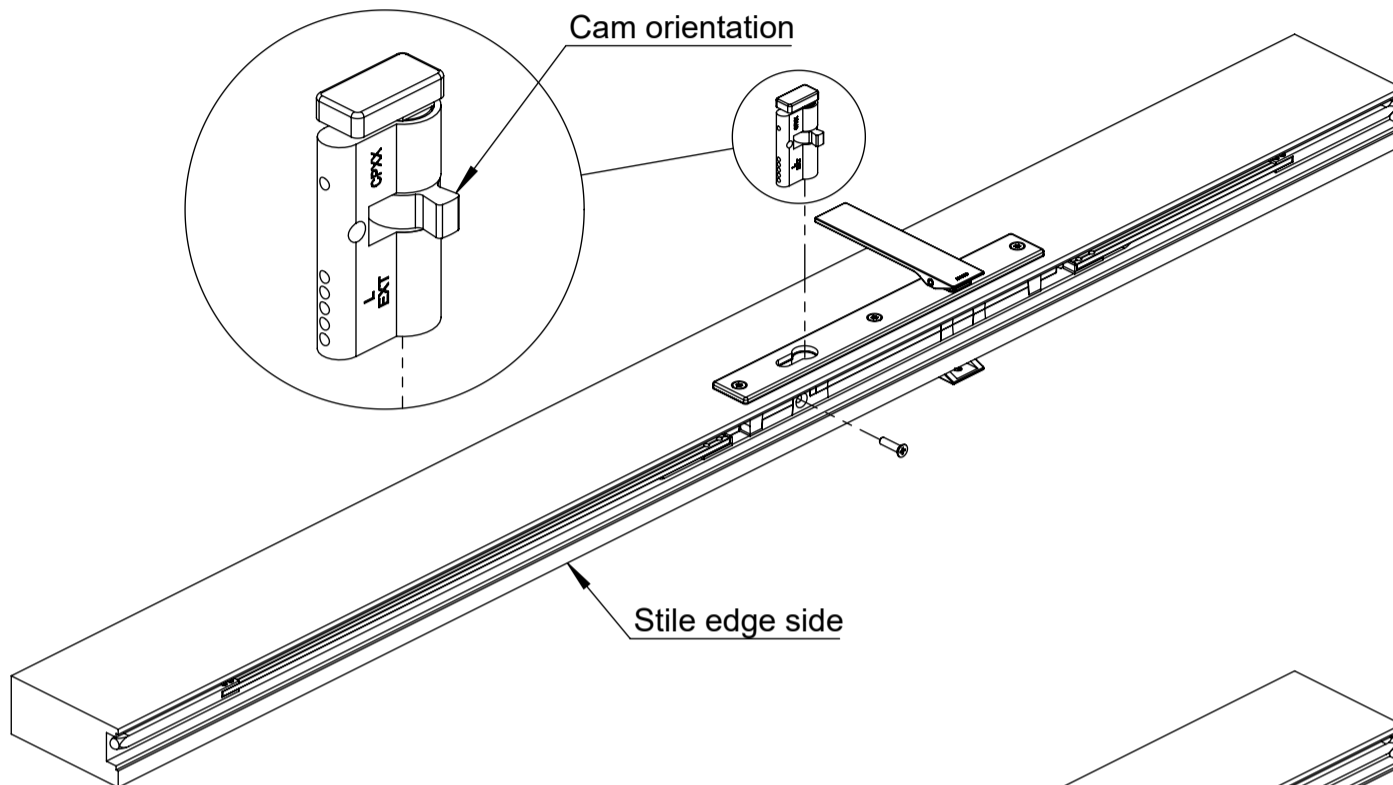
# INSTALL LOCK INTO STILE OR PANEL

## Step 3. Insert the lock cylinder.

A handed lock assembly requires a same handing lock cylinder to work. Refer to HANDING DETAILS section and check that the correct handed cylinder is supplied.

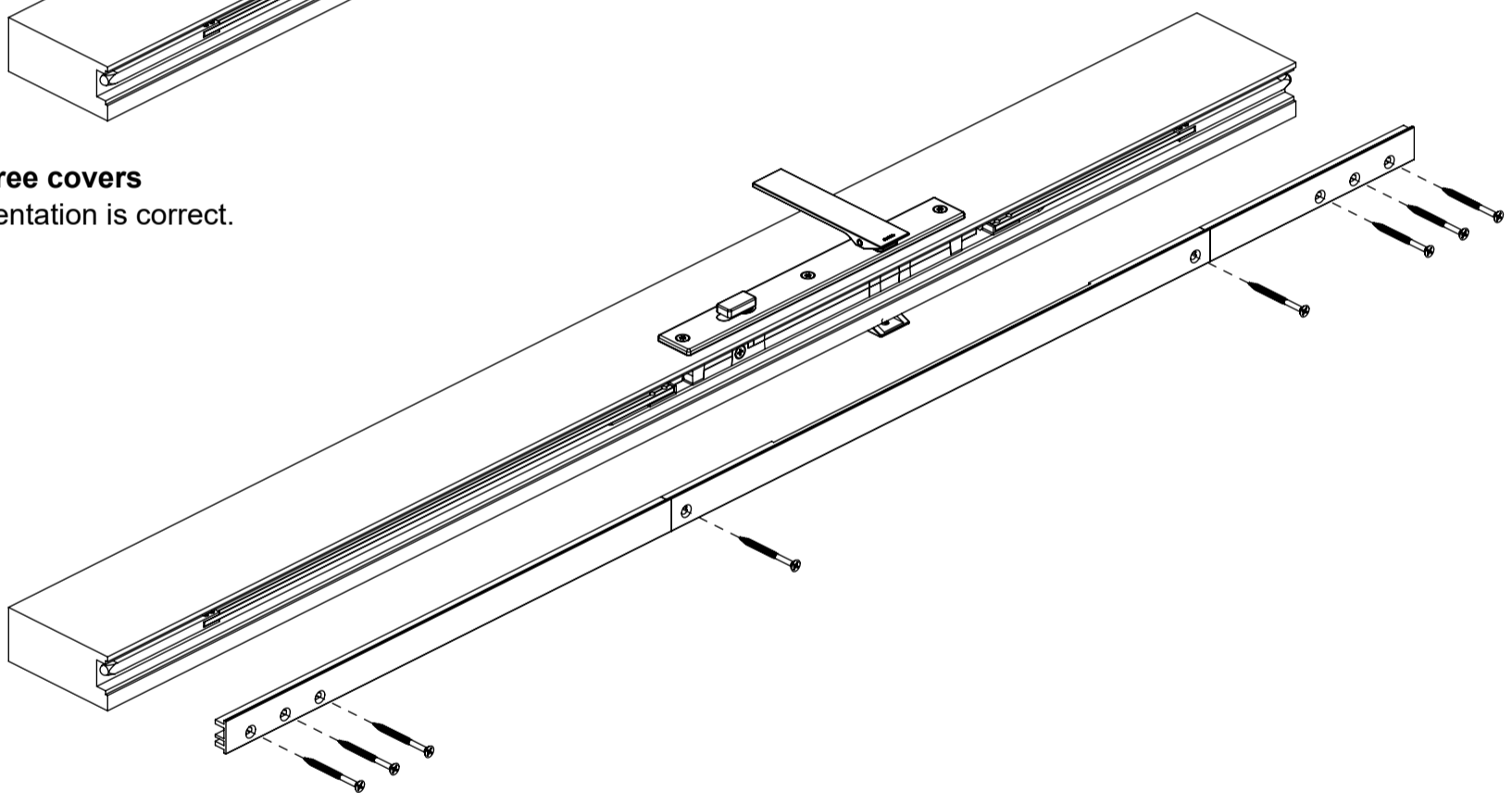
**Important:** Never fit a cylinder with wrong handing into the lock body. The correct handing should have the initial cam position orientated to the stile edge side.

Secure the cylinder body with fixing screw provided.



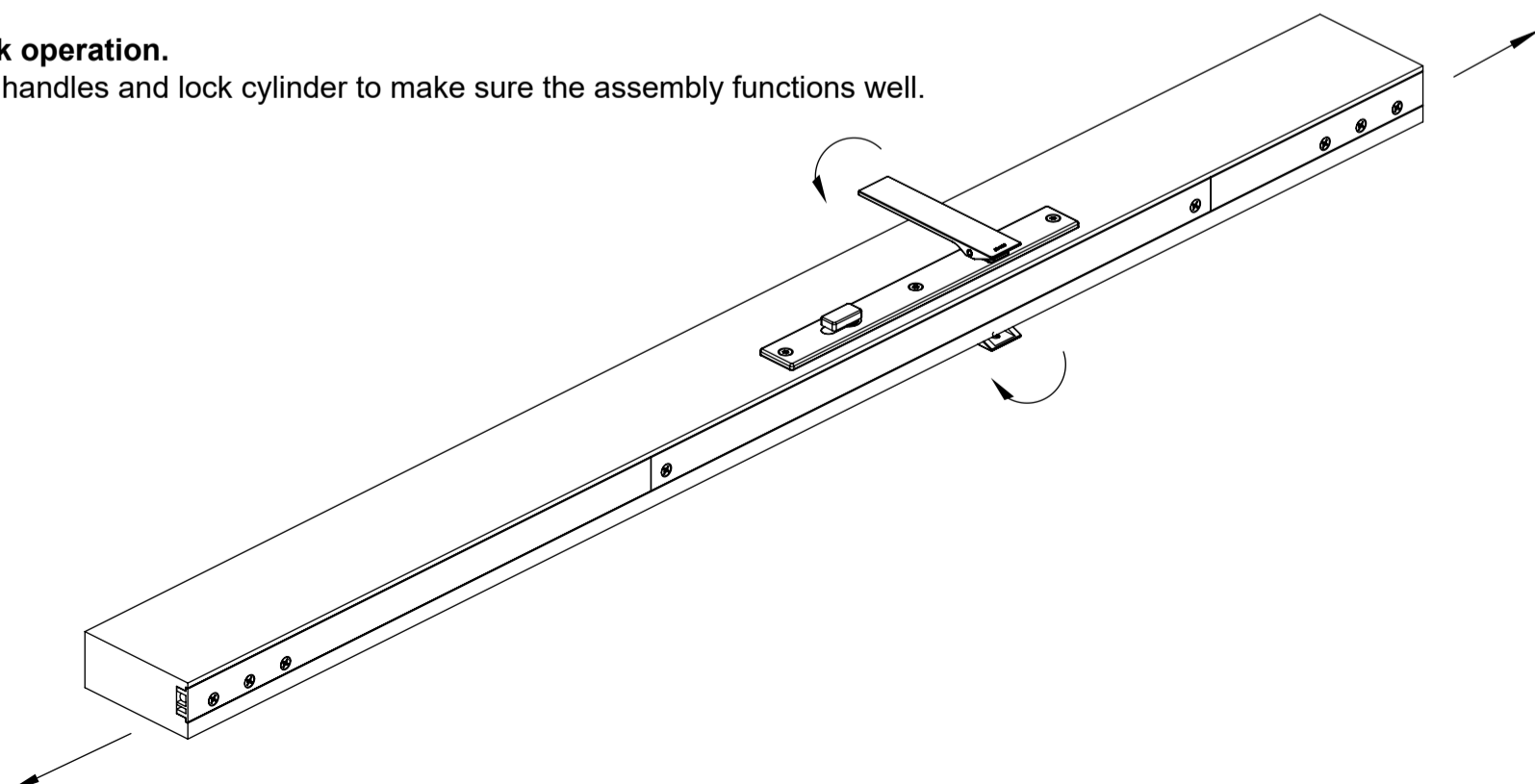
## Step 4. Fit the three covers

Make sure the orientation is correct.



## Step 5. Lock operation.

Operate the handles and lock cylinder to make sure the assembly functions well.



# HARDWARE SELECTION

## Hardware components

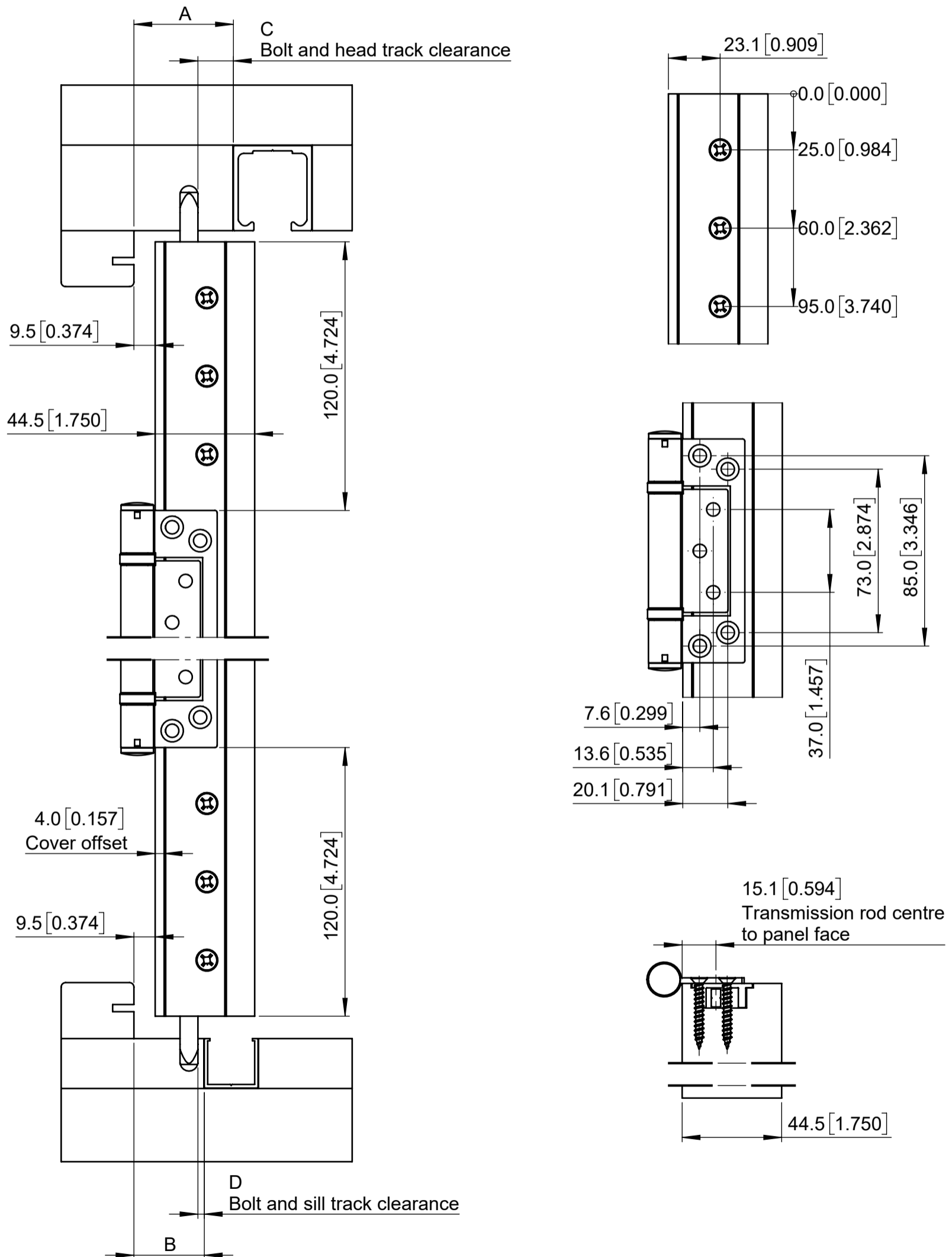
Folding Hardware	Head	Sill	Panel			
			1 3/4"		2 1/4"	
			Outward	Inwards	Outward	Inwards
E2	14TA 	E22FCR 	Non-keyed and keyed	Non-keyed	n/a	n/a
E3	E3TA 	E22FCR 	Non-keyed and keyed	Non-keyed	Non-keyed and keyed	Non-keyed
	E3TA 	E3CSLO 	Non-keyed and keyed	Non-keyed	n/a	n/a
	E3TA 	E3CS134N 	Non-keyed and keyed	Non-keyed	n/a	n/a
E4	E4TA 	E4FC 	n/a	n/a	Non-keyed and keyed	Non-keyed
F3	FR3HTS 	FRSB 	Non-keyed and keyed	Non-keyed	Non-keyed and keyed	Non-keyed

ARCHITECTURAL DETAIL

Centor E2 folding hardware

Head	14TA
Sill	E22FCR
Perimeter seal	427

Panel thickness	A	B	C	D
44.5 [1.750]	44.5 [1.750]	31.5 [1.238]	15.9 [0.624]	2.9 [0.112]
Custom	PT	PT - 13.0 [0.512]	PT - 28.6 [1.126]	PT - 41.6 [1.638]



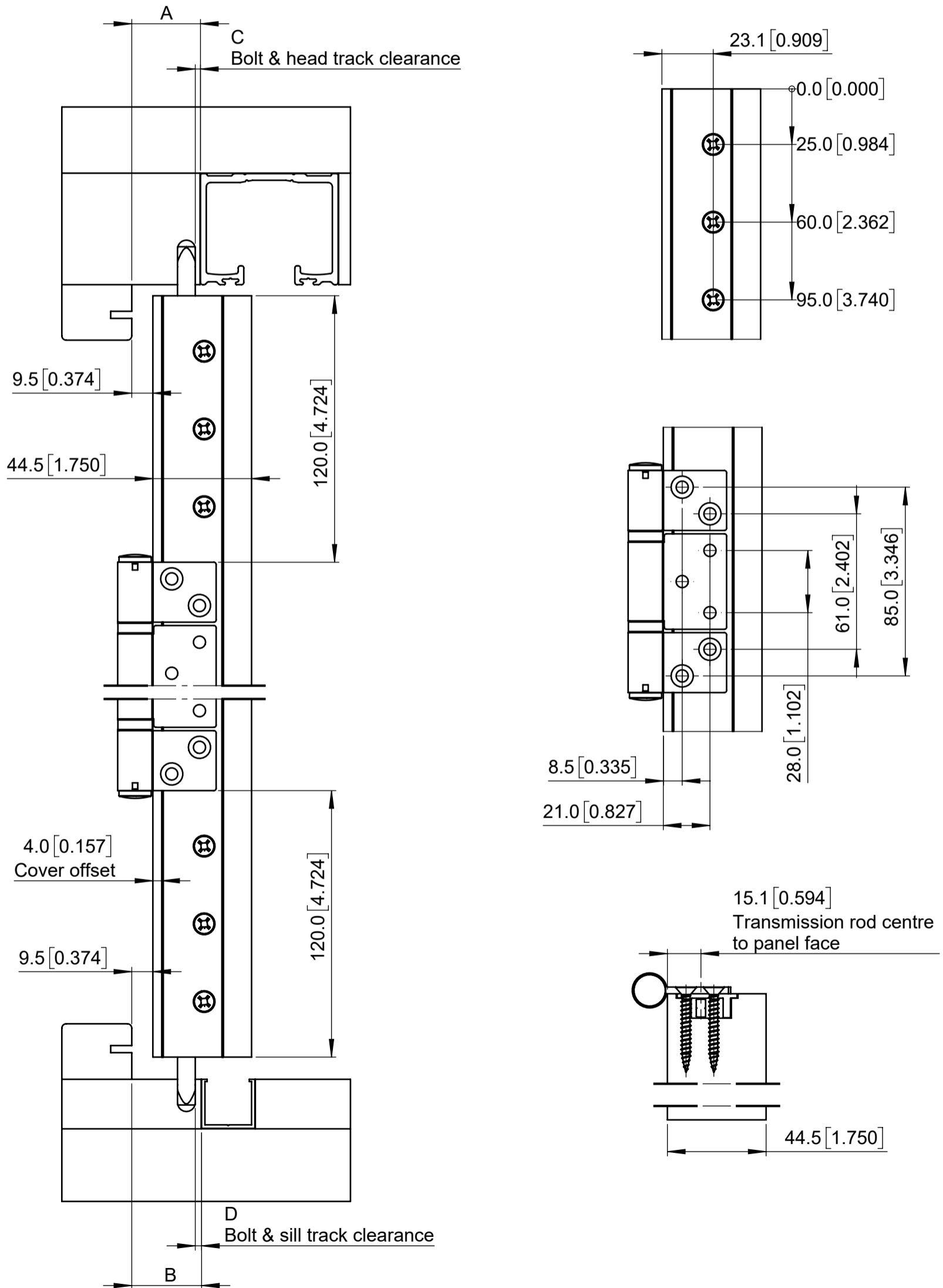


**ARCHITECTURAL DETAIL**

Centor E3 folding hardware

Head	E3TA
Sill	E22FCR
Perimeter seal	427

Panel thickness	A	B	C	D
44.5 [1.750]	31.0 [1.220]	31.5 [1.238]	2.4 [0.093]	2.9 [0.112]
Custom	PT - 13.5 [0.531]	PT - 13.0 [0.512]	PT - 42.1 [1.657]	PT - 41.6 [1.638]

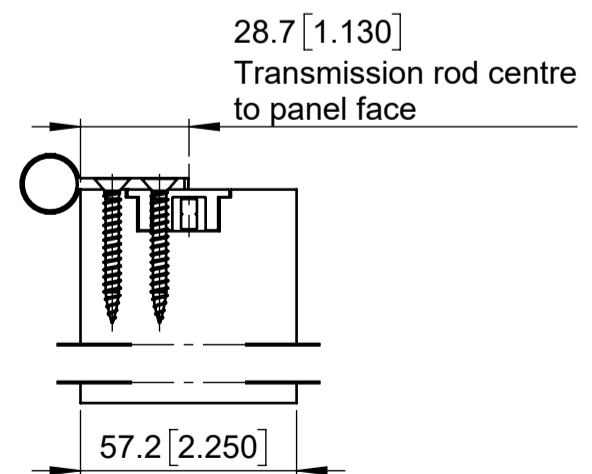
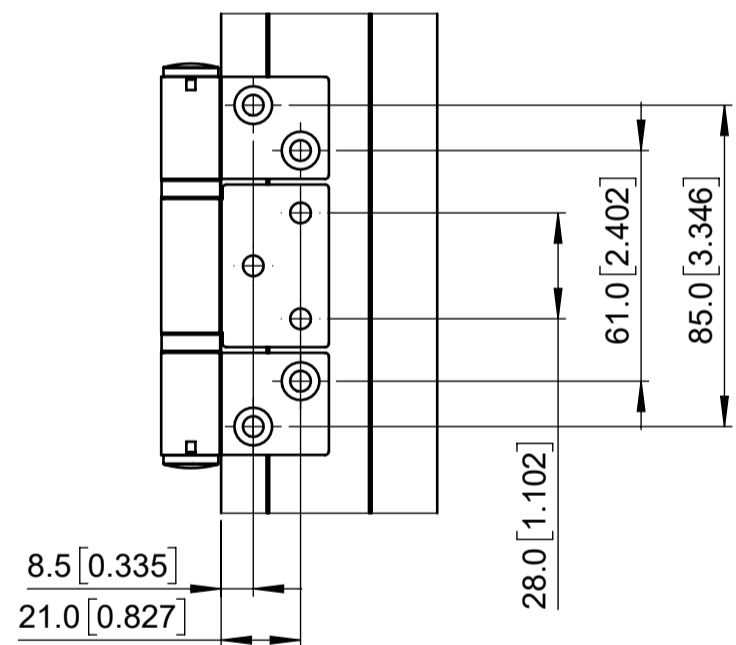
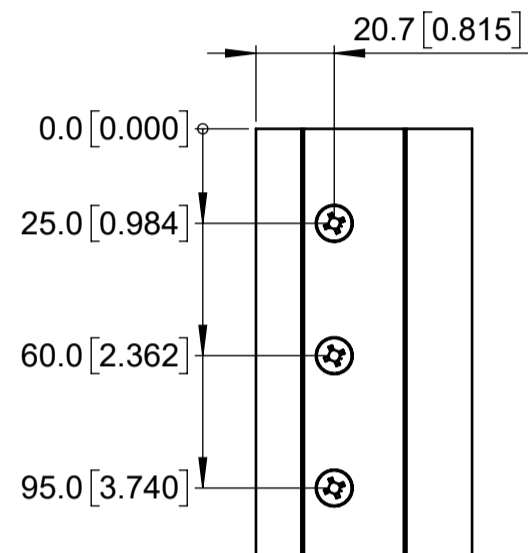
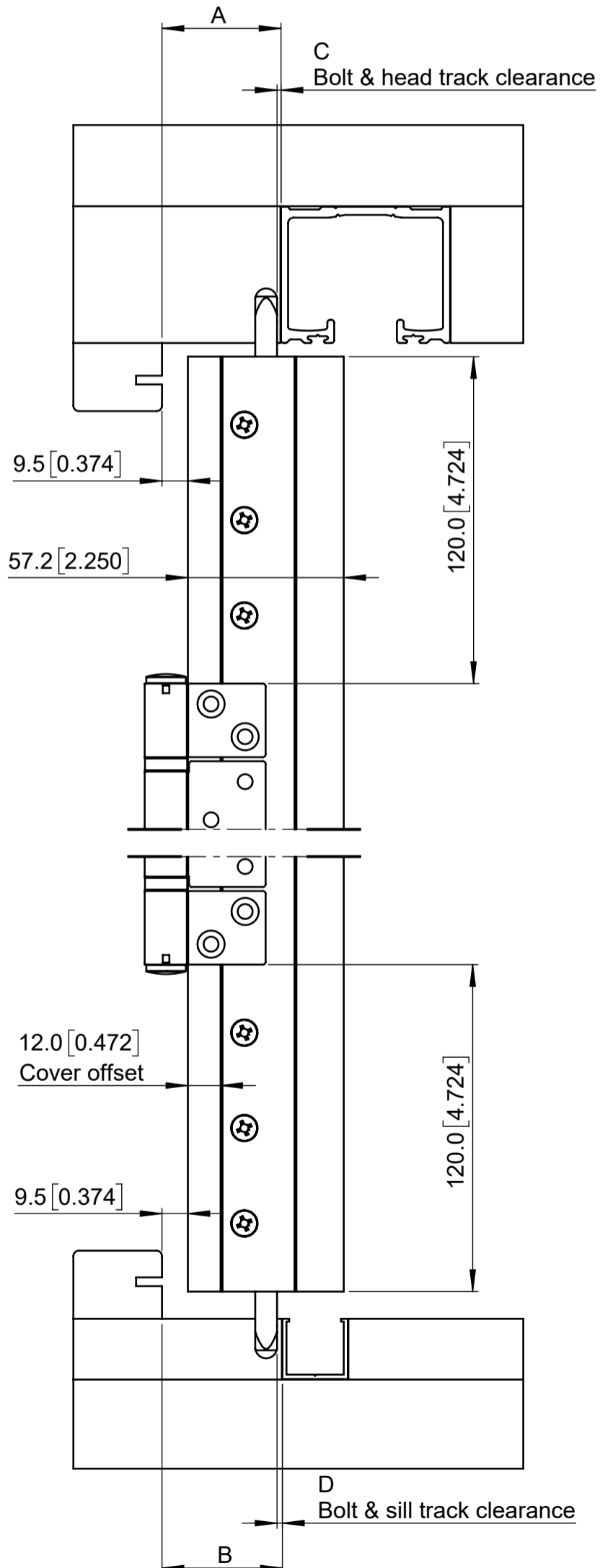


ARCHITECTURAL DETAIL

Centor E3 folding hardware

Head	E3TA
Sill	E22FCR
Perimeter seal	427

Panel thickness	A	B	C	D
57.2 [2.250]	43.7 [1.719]	44.2 [1.738]	1.5 [0.057]	2.0 [0.079]
Custom	PT - 13.5 [0.531]	PT - 13.0 [0.512]	PT - 55.7 [2.193]	PT - 55.2 [2.173]

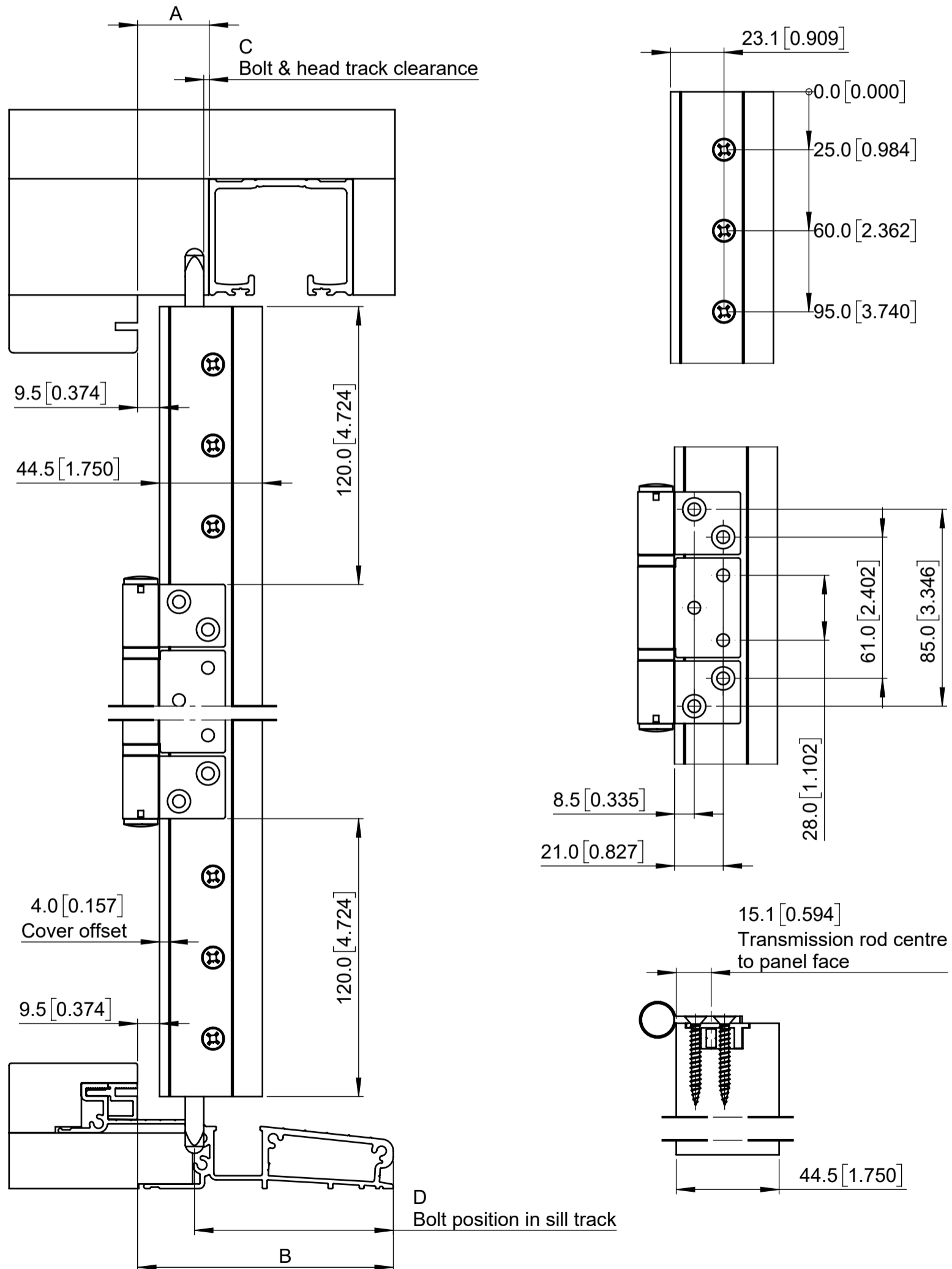


# ARCHITECTURAL DETAIL

## Centor E3 folding hardware

Head	E3TA
Sill	E3CS
Perimeter seal	427

Panel thickness	A	B	C	D
44.5 [1.750]	31.0 [1.220]	110.5 [4.350]	2.4 [0.093]	85.9 [3.381]
Custom	PT - 13.5 [0.531]	PT + 66.1 [2.600]	PT - 42.1 [1.657]	PT + 41.5 [1.632]

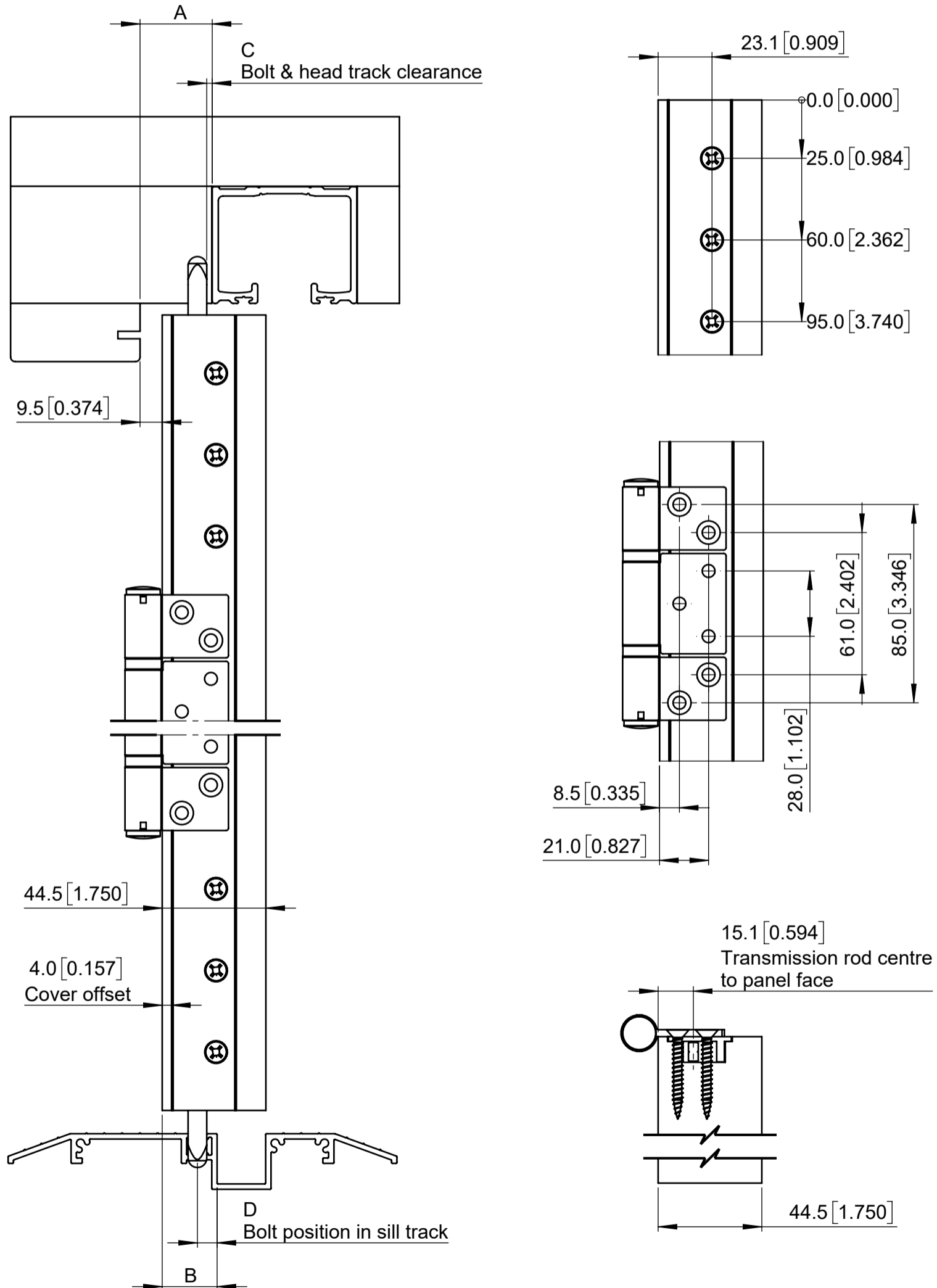


ARCHITECTURAL DETAIL

Centor E3 folding hardware

Head	E3TA
Sill	E3CSLO
Perimeter seal	427

Panel thickness	A	B	C	D
44.5 [1.750]	31.0 [1.220]	23.5 [0.927]	2.4 [0.093]	8.4 [0.332]
Custom	PT - 13.5 [0.531]	PT - 20.9 [0.823]	PT - 42.1 [1.657]	PT - 36.0 [1.417]

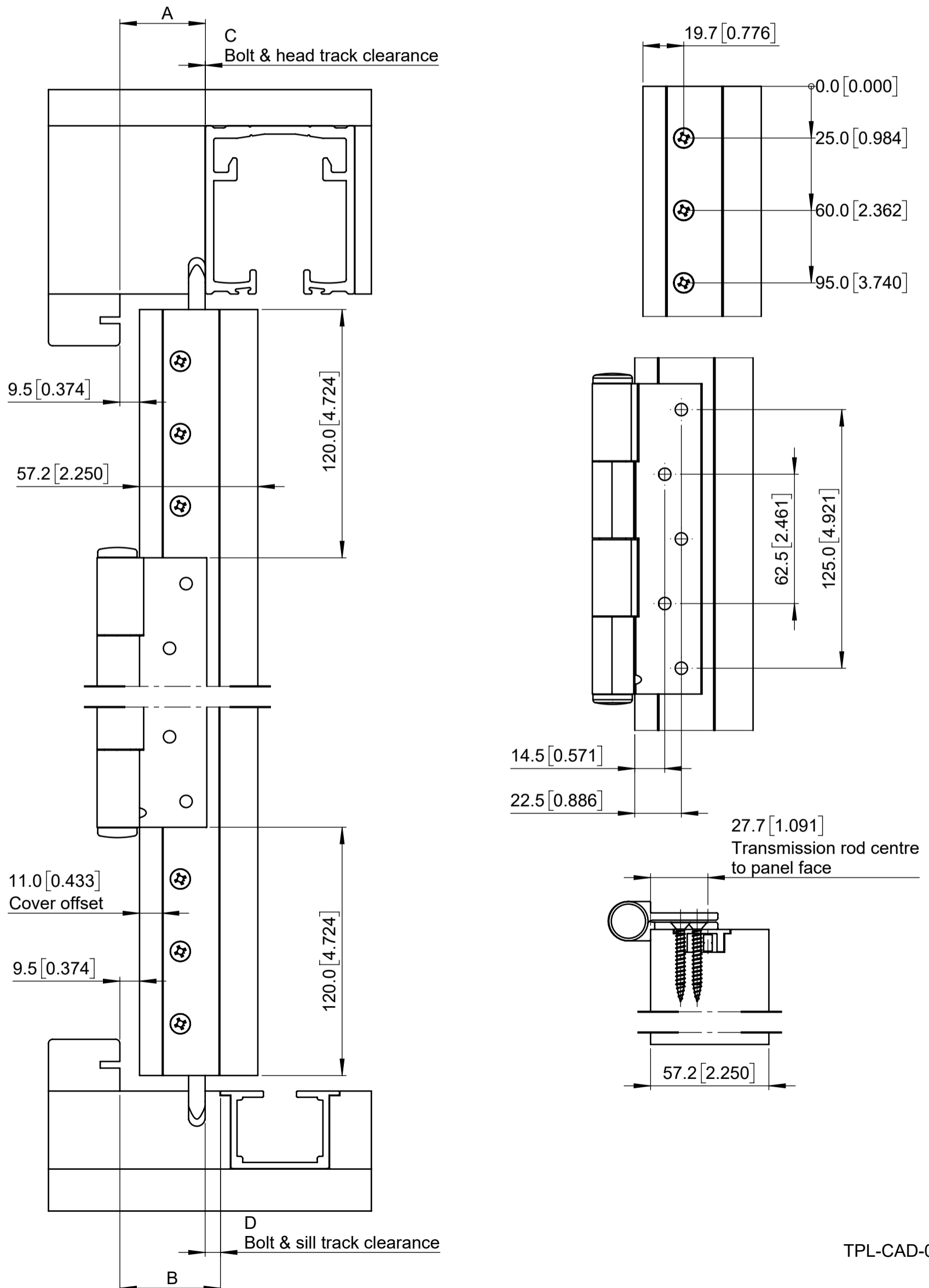


# ARCHITECTURAL DETAIL

## Centor E4 folding hardware

Head	E4TA
Sill	E4FC
Perimeter seal	427

Panel thickness	A	B	C	D
57.2 [2.250]	41.4 [1.628]	48.6 [1.913]	0.2 [0.006]	7.4 [0.291]
Custom	PT - 15.8 [0.622]	PT - 8.6 [0.337]	PT - 57.0 [2.244]	PT - 49.8 [1.959]

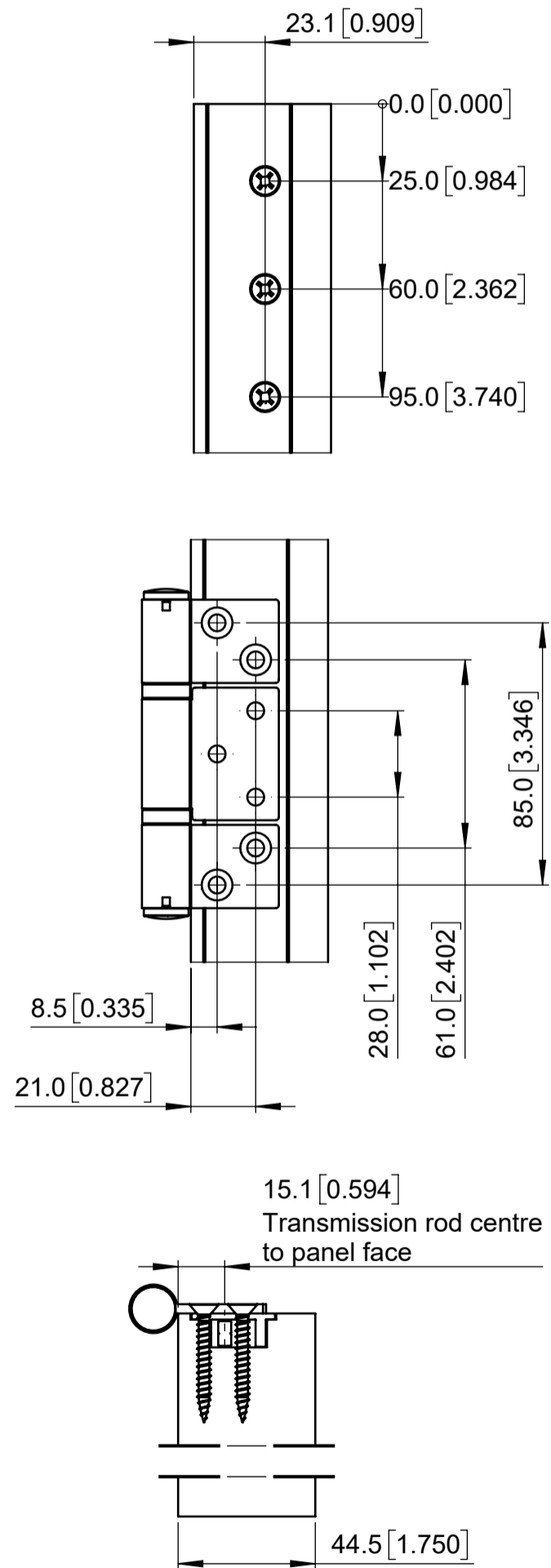
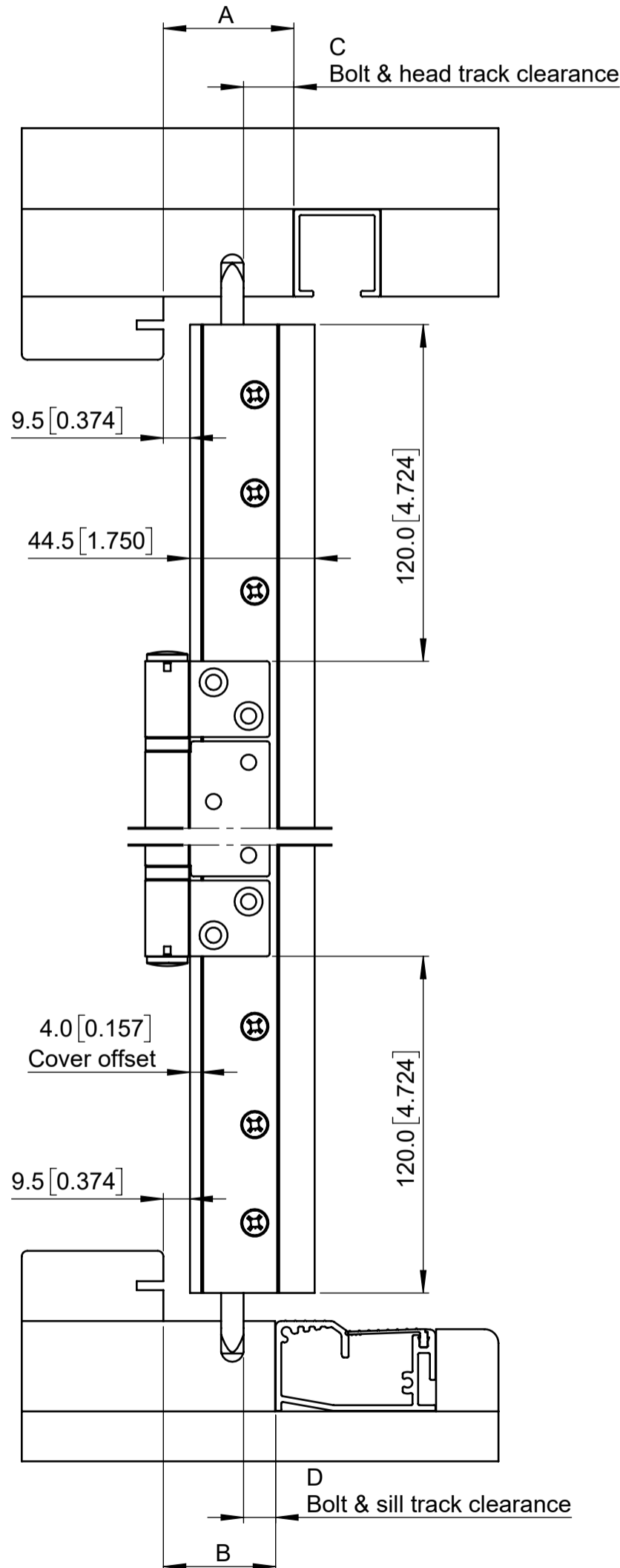


ARCHITECTURAL DETAIL

Centor F3 folding hardware

Head	FR3HTS
Sill	FRSB
Perimeter seal	427

Panel thickness	A	B	C	D
44.5 [1.750]	46.6 [1.833]	40.1 [1.577]	18.0 [0.707]	11.5 [0.451]
Custom	PT + 2.1 [0.083]	PT - 4.4 [0.173]	PT - 26.5 [1.043]	PT - 33.0 [1.299]

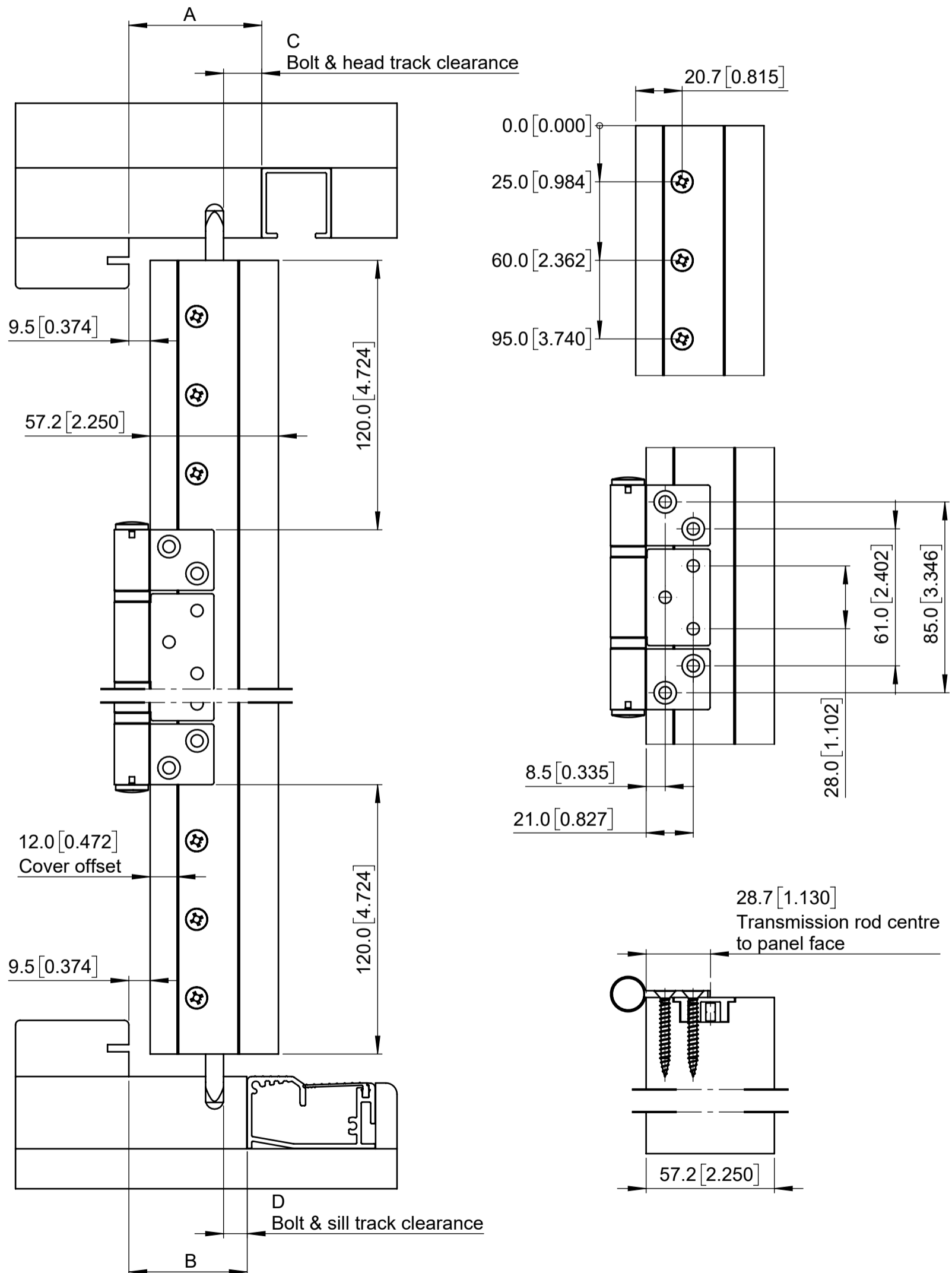


ARCHITECTURAL DETAIL

Centor F3 folding hardware

Head	FR3HTC
Sill	FRSB
Perimeter seal	427

Panel thickness	A	B	C	D
57.2 [2.250]	59.3 [2.333]	52.8 [2.077]	17.1 [0.671]	10.6 [0.415]
Custom	PT + 2.1 [0.083]	PT - 4.4 [0.173]	PT - 40.1 [1.579]	PT - 46.6 [1.835]



## Centor North America

866 255 0008

+1 630 957 1000

customerserviceusa@centor.com

centor.com