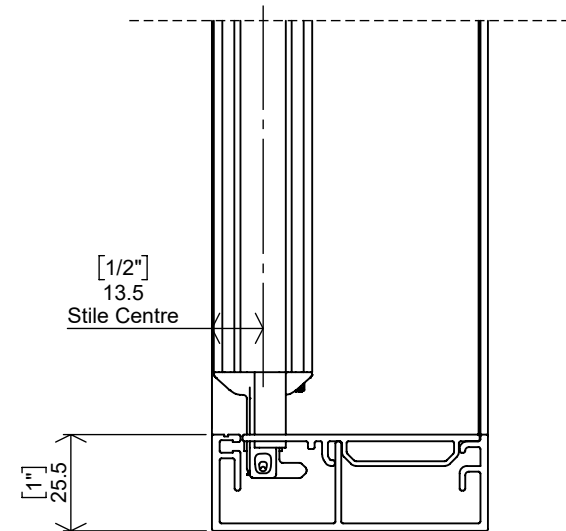
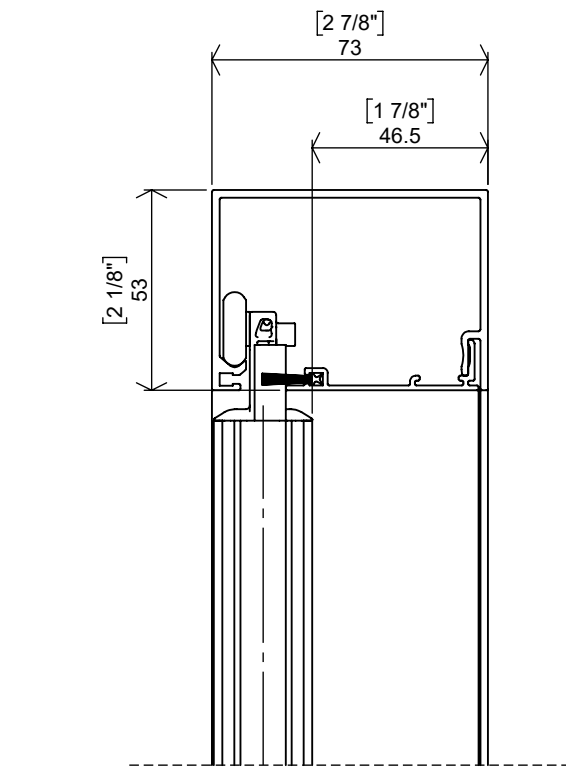
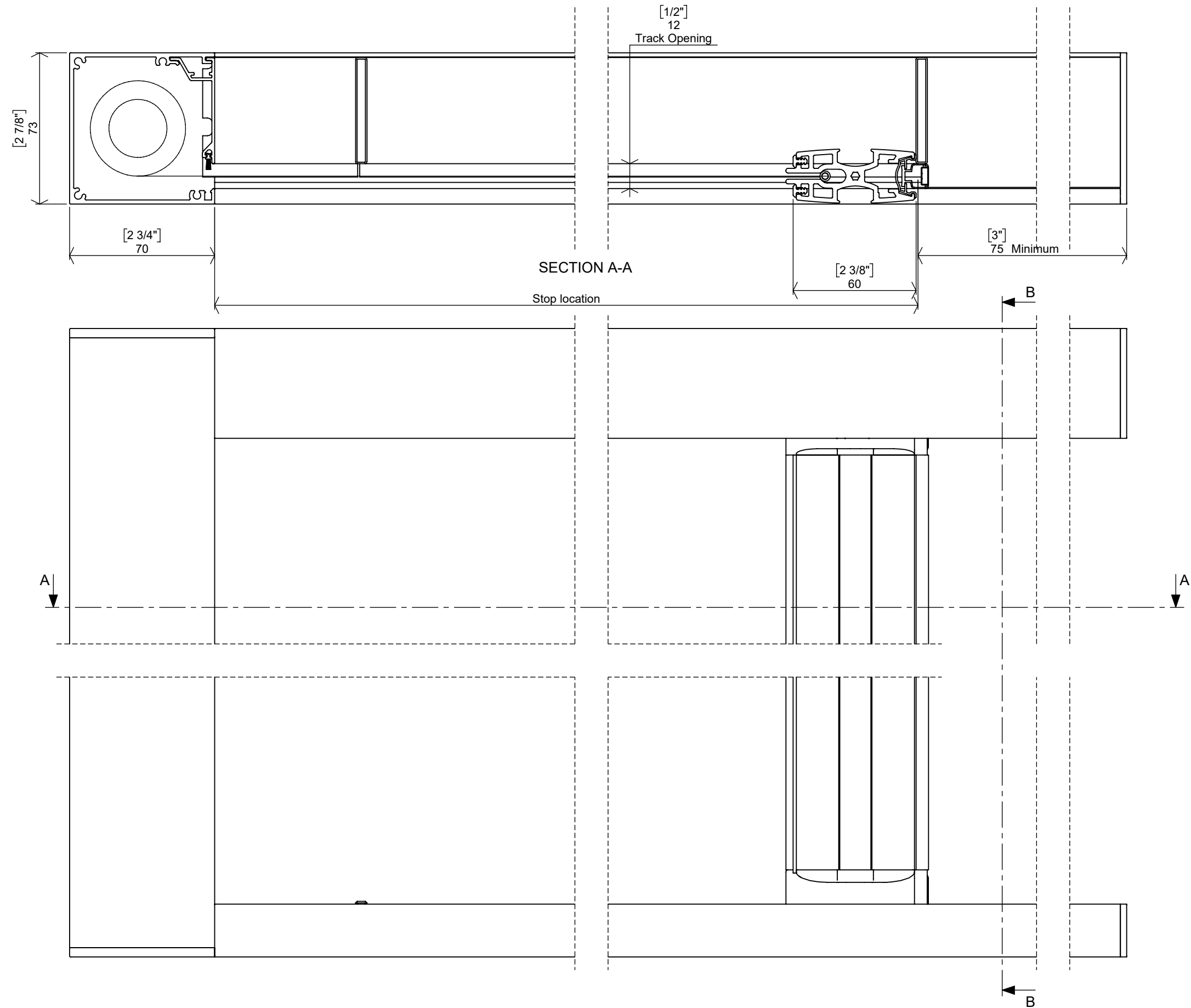


# Custom Stop Location



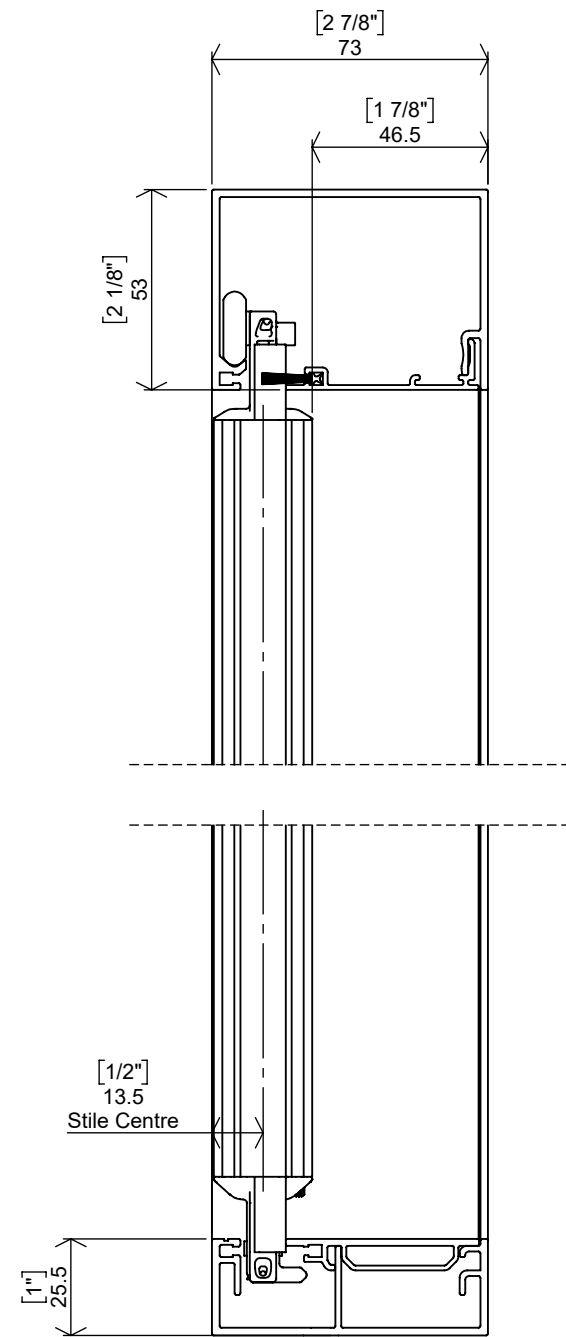
SECTION B-B



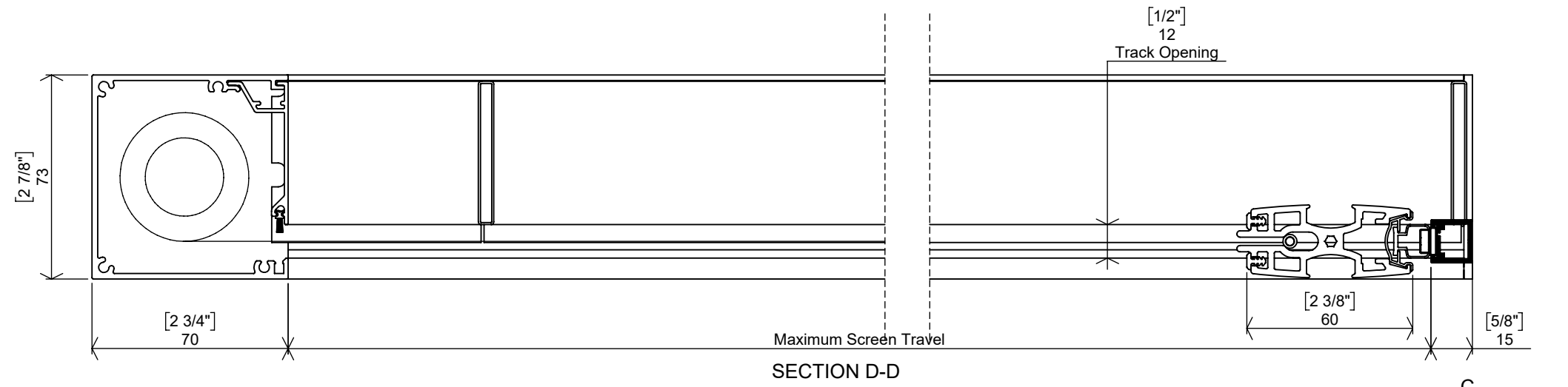
SECTION A-A

Stop location

# Maximum Travel

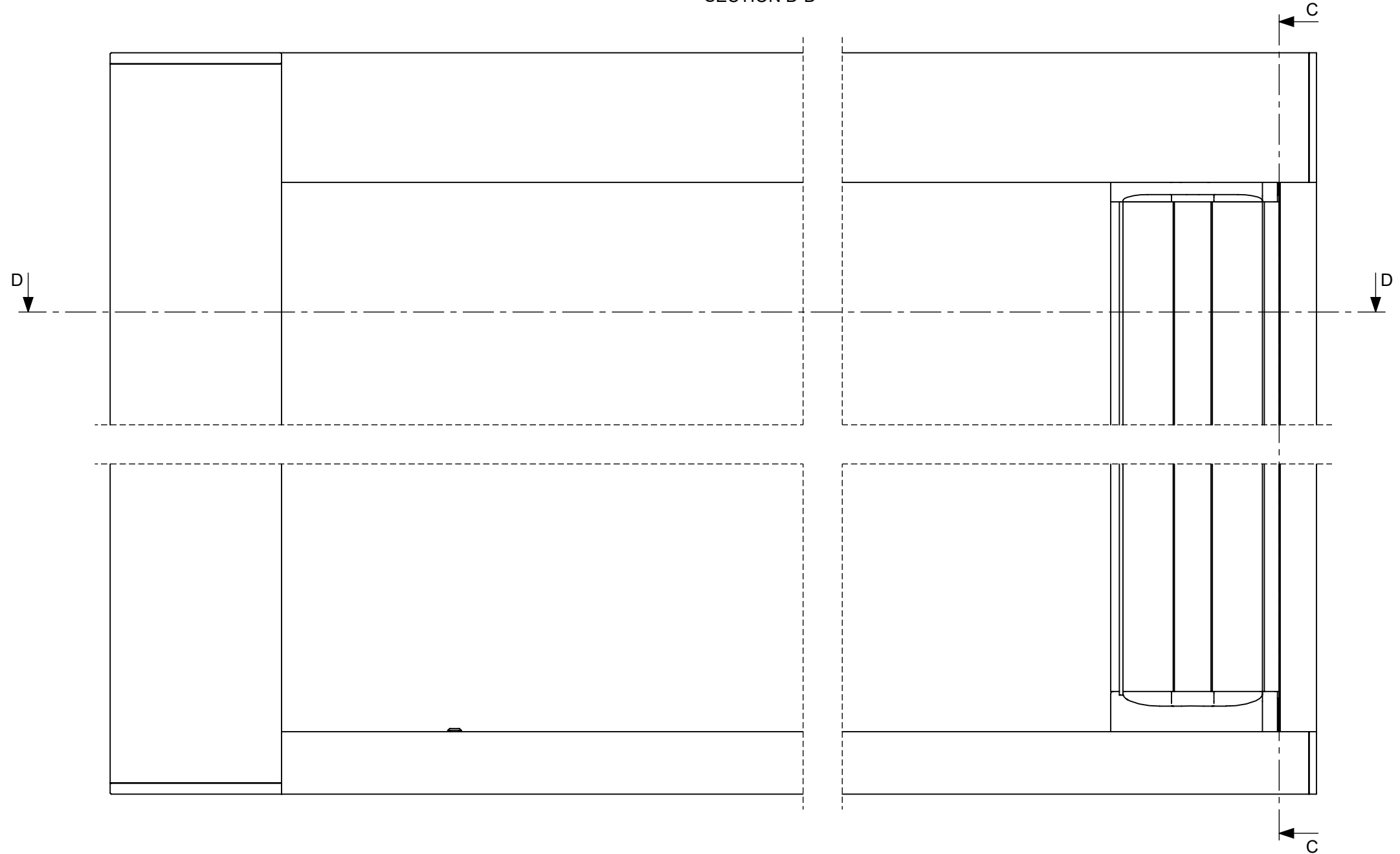


SECTION C-C



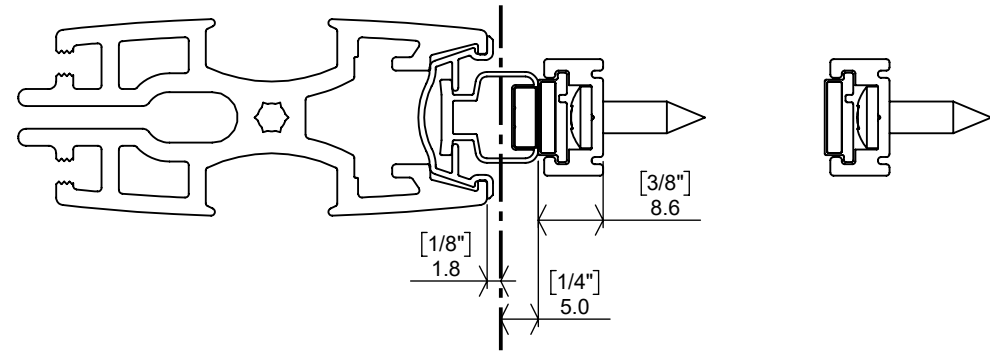
Maximum Screen Travel

SECTION D-D

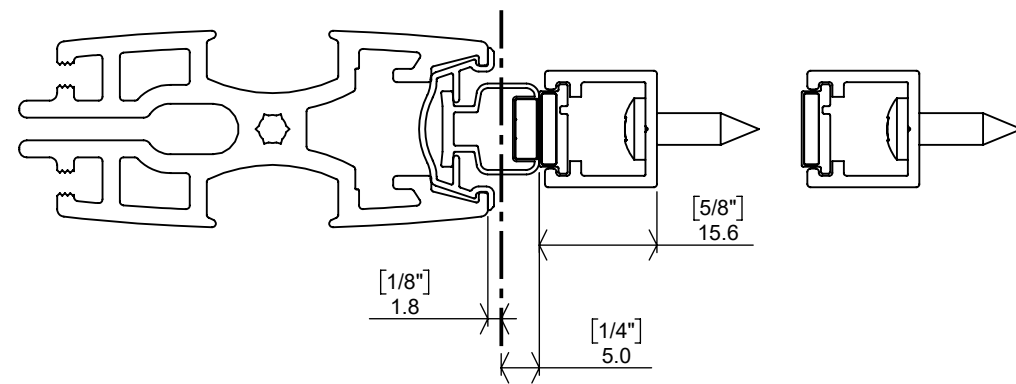


# Stile options

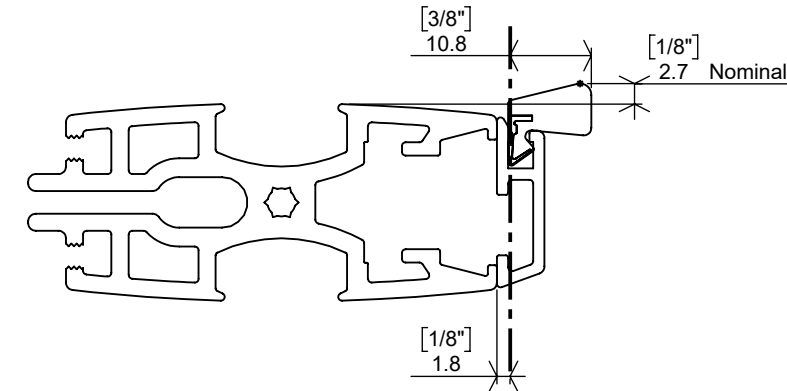
Straight magnet with 8mm adaptor



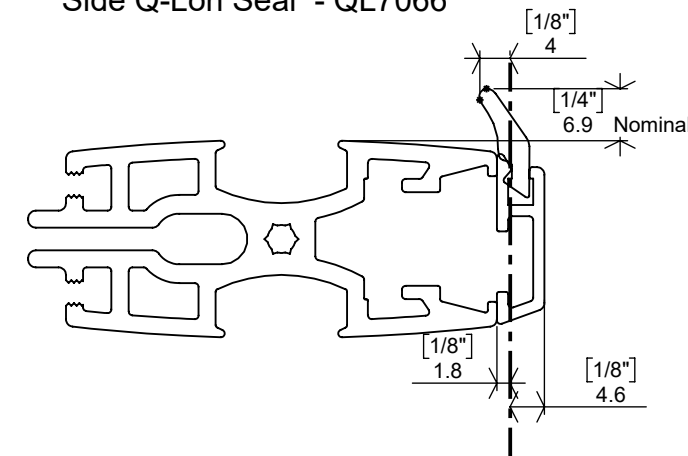
Straight magnet with 15mm adaptor



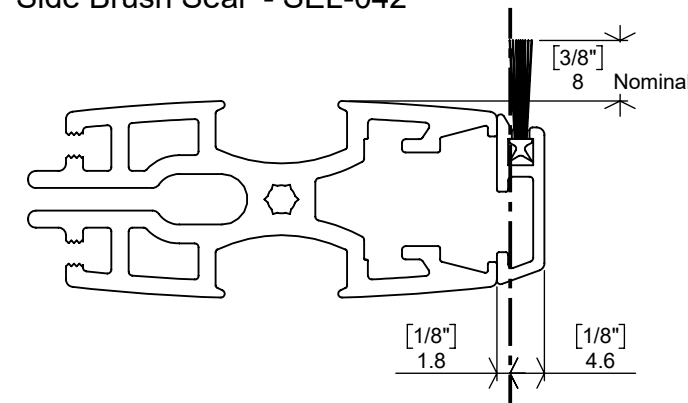
Off-Center Front Seal - AQ109



Side Q-Lon Seal - QL7066



Side Brush Seal - SEL-042



**Note:**

- 1) Nominal Stop Position shown.
- 2) To prevent damage, maximum travel screens must use the 15mm magnet adaptor.